

NOTES

DECK 6

The layout of this deck is similar to the FJ design for the Constitution-class ship. I like the tri-radial symmetry. As on Deck 5, the turbo-elevator shafts are separated by 120°. I also added 4 more turbo-elevator storage spaces. This network is not as extensive as the FJ design; walking a few hundred feet or meters should not be an issue. Also, this network does not need to reach outward as much because it does not then drop down to Deck 7.

Over half of this deck is devoted to Crew Quarters. Most of the remaining space is filled by two Hangar Bays.

The windows around the edge of the Primary Hull governed the location of the two Recreation Rooms / Lounges. They have balconies (on Deck 6) which overlook the main level (on Deck 7). Stairs lead down from the balconies to each Lounge. There are also stairs at the bow, behind the Deflector Equipment.

A Cargo Lifts is located at the two aft window locations. Ahead of each Cargo Lift (just aft of the Hangar Bay) is the Shuttlecraft Maintenance area. Stairs are also located beside each Cargo Lift.

In the center are 3 relaxation areas. The one at the front is a Lounge. The other two are Messrooms because they are serviced by food dispensers which are directly connected to the Food Preparation area on Deck 8.

Aft of each Messroom is a foyer leading to a Hangar Bay. Between these is the main turbo-elevator shaft which leads aft. Machine shops are to port. Environmental Engineering and turbo-elevator maintenance are to starboard. The Engineering Computers are to port and starboard of Main Engineering.

Environmental Lockers (EL) or storage spaces are distributed all around the deck, mostly concentrated near the 4 large rectangular escape hatches in the ceiling (shown here in orange).

DECK 7

The windows around the edge of the Primary Hull governed the location of the two Recreation Rooms / Lounges. They have balconies (on Deck 6) which overlook the main level (on Deck 7). Stairs lead up from each Lounge to the balconies.

There are also stairs at the bow, behind the Deflector Equipment.

Cargo Transporters and Cargo Lifts are located at the two aft window locations. Stairs are also located beside each Cargo Lift.

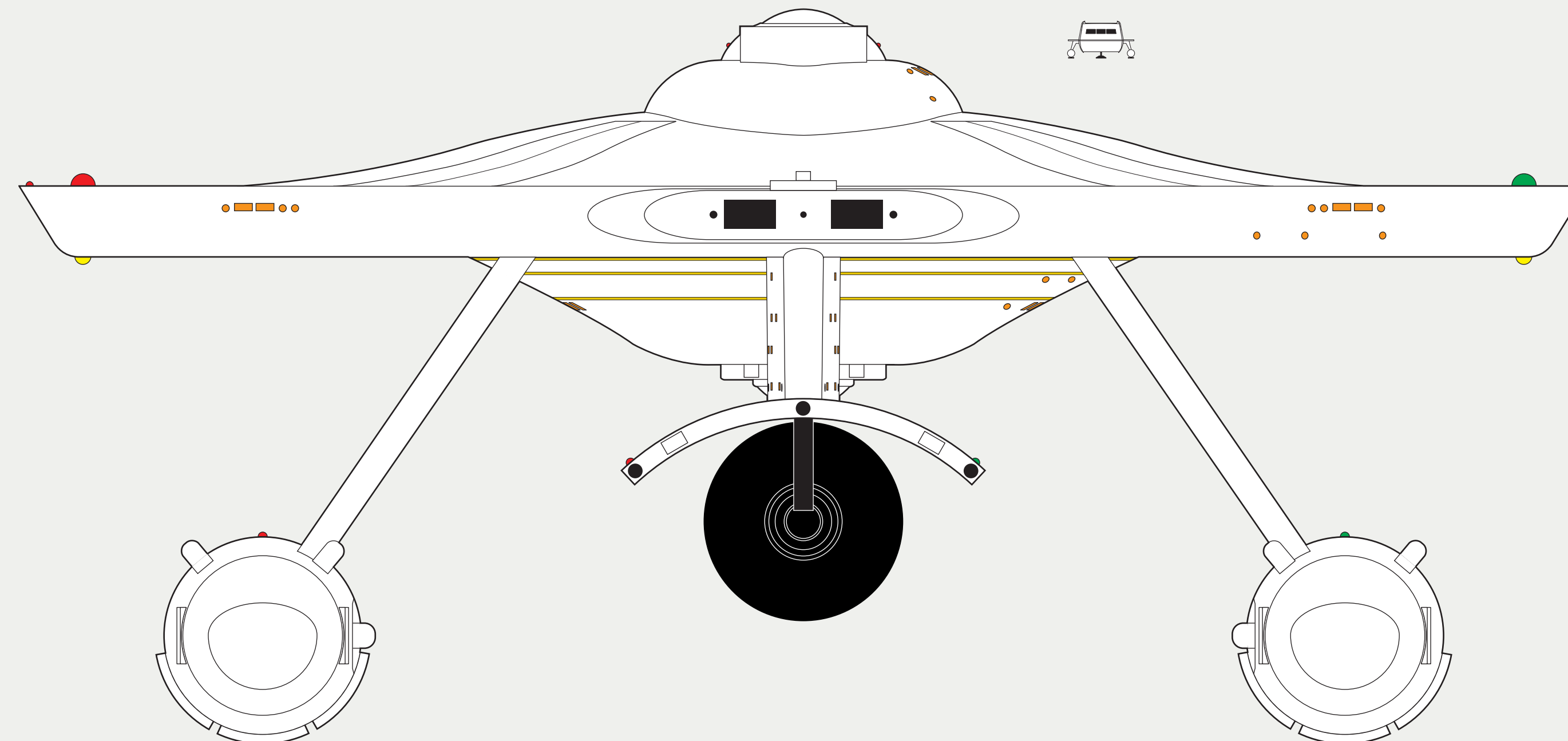
The grey area represents the concave cutout on the underside of the Primary Hull. This area could be used to store water, or fuel, or air, or more general cargo. I leave the area grey (for the most part) so as to clearly set it apart from the rest of the deck.

The center of this Deck contains the ship's Main Computers. The ring around the Computers contains Sickbay. Sickbay includes various labs, offices, and a post-surgery recovery area. Aft of the Main Computers is the machinery for the Food Conveyors. Aft of that machinery are storage areas for Medical Supplies.

The ring around Sickbay contains the Armory, Briefing Room, Chapel, Brig, The Chief Engineer's Office, the Dilithium Energizer Station, a few other offices, and airlocks where the 2 Main Landing Legs used to be. Those were replaced with hatches for extra-vehicular activities. The ring also contains four Transporters (for 6 people) as well as two Emergency Transporters (for 22 people).

On either side of the main turbo-elevator shaft are Inspection Corridors. They each contain a ladder which leads down to Deck 8. At the rear is Engineering. On either side are power conduits leading to the engine pylons, then down to the nacelles. Jefferies Tubes also lead down the pylons to the engines.

The ladder ahead of Main Engineering leads up to the Emergency Manual Monitor.



REAR, LOOKING FORWARD