



NOTES

DECK 6

The layout of this deck is similar to the FJ design for the Constitution-class ship. I like the tri-radial symmetry. As on Deck 5, the turbo-elevator shafts are separated by 120°. I also added 4 more turbo-elevator storage spaces. This network is not as extensive as the FJ design; walking a few hundred feet or meters should not be an issue.

The windows around the edge of the Primary Hull governed the location of the two Recreation Rooms / Lounges. They have balconies (on Deck 6) which overlook the main level (on Deck 7). Stairs lead down from the balconies to each Lounge.

There are stairs at the bow, behind the Deflector Equipment, and also near the Hangar Bay entrances.

In the center are 3 relaxation areas. The one at the front is a Lounge. The other two are Messrooms because they are serviced by food dispensers which are directly connected to the Food Preparation area on Deck 8.

The Impulse Engines and Main Engineering are at the rear.

Machine shops are to port. Environmental Engineering and turbo-elevator maintenance are to starboard. The Engineering Computers are to port and starboard of Main Engineering.

Tactical & Warfare Countermeasures Equipment (EW) is located at the rear, outboard of the Engineering Computers. Work stations related to this equipment are also located nearby.

DECK 7

The windows around the edge of the Primary Hull governed the location of the two Recreation Rooms / Lounges.

They have balconies (on Deck 6) which overlook the main level (on Deck 7). Stairs lead up from each Lounge to the balconies.

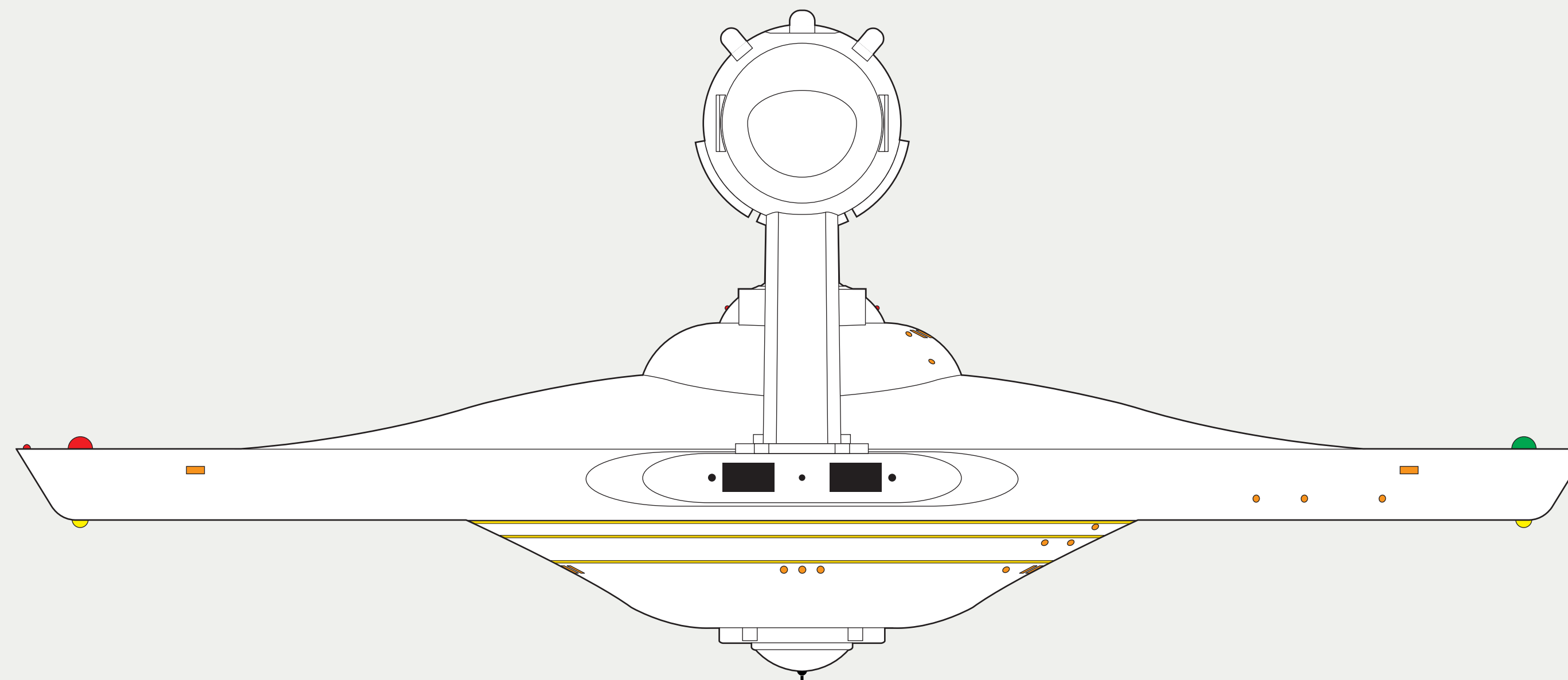
There are stairs at the bow, behind the Deflector Equipment, and also near the Hangar Bay entrances.

The grey area represents the concave cutout on the underside of the Primary Hull. This area could be used to store water, or fuel, or air, or more general cargo. I leave the area grey (for the most part) so as to clearly set it apart from the rest of the deck. The 2 Main Landing Legs found on Constitution-class ships were deleted and a hatch was installed at each location.

The center of this Deck contains the ship's Main Computers. The machinery for the Food Conveyors is located aft of the Main Computers. The ring around the Computers contains Sickbay. Sickbay includes various labs, offices, and a post-surgery recovery area.

The ring around Sickbay contains the Armory, Briefing Room, Chapel, Brig, The Chief Engineer's Office, the Dilithium Energizer Station, a few other offices, and airlocks where the 2 Main Landing Legs used to be. Those were replaced with hatches for extra-vehicular activities. The ring also contains four Transporters (for 6 people) as well as two Emergency Transporters (for 22 people).

The outermost ring contains two Cargo Transporters as well as Cargo Holds.



REAR, LOOKING FORWARD