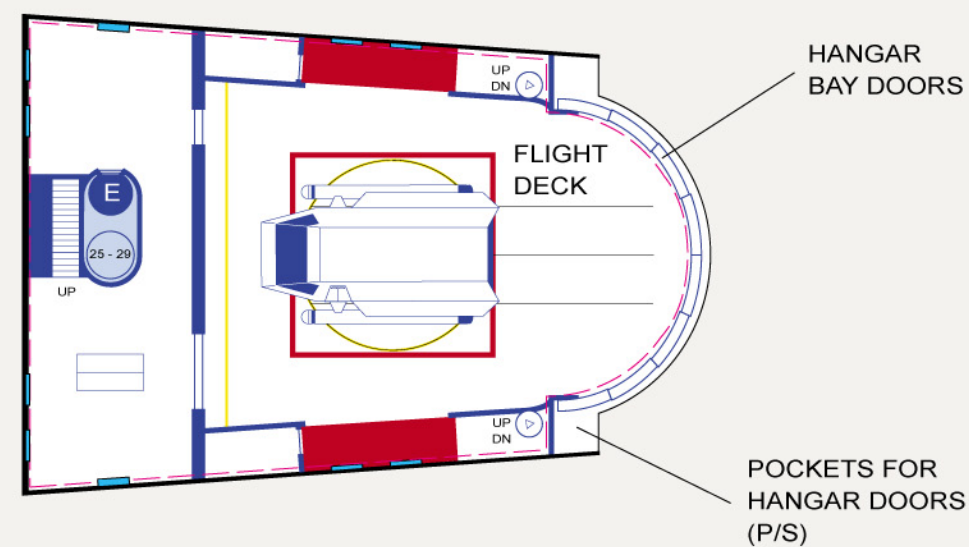
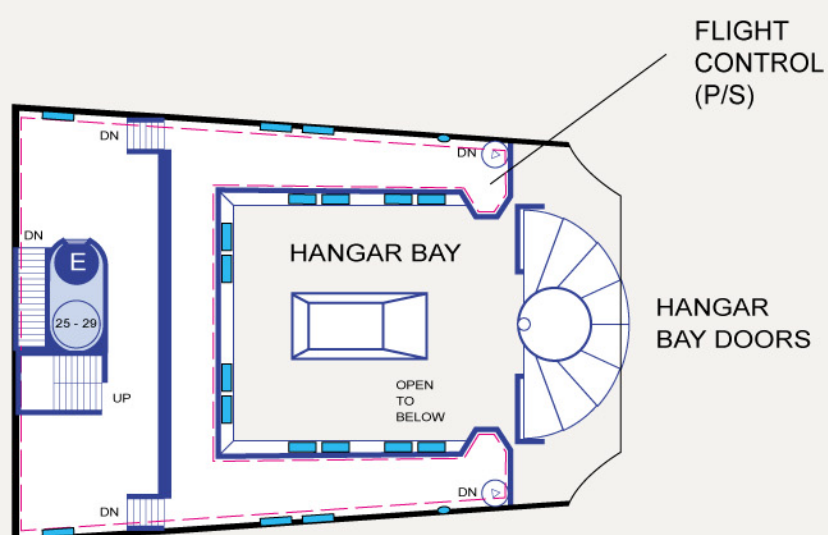


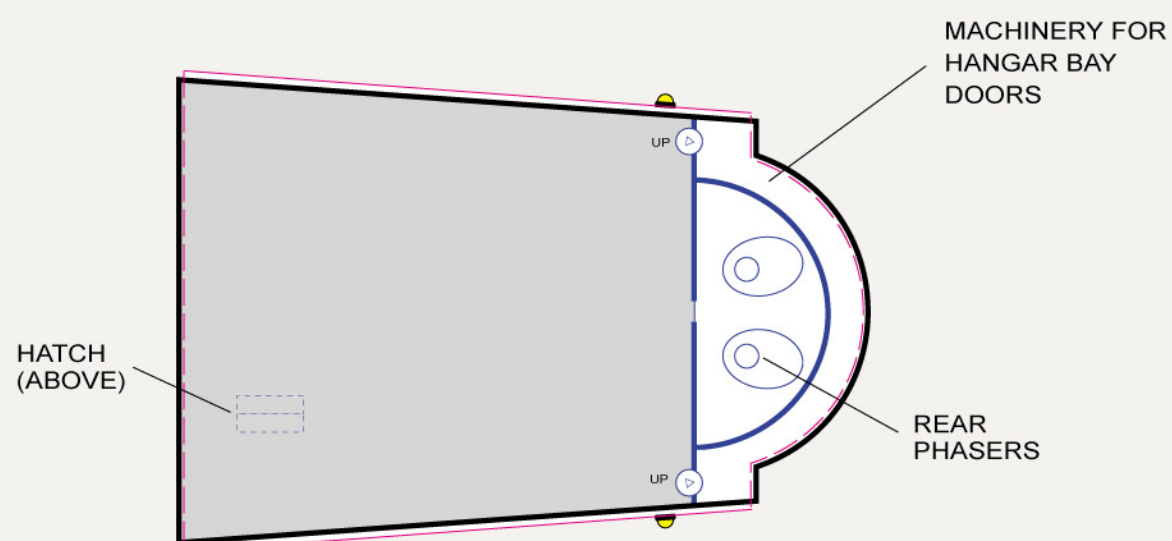
DECK 26: TRACTOR BEAM



DECK 29: FLIGHT DECK



DECK 27: OBSERVATION GALLERY



DECK 30: PHASERS

## NOTES

DECK 26  
Access to the Landing Tractor Beam is from this deck.

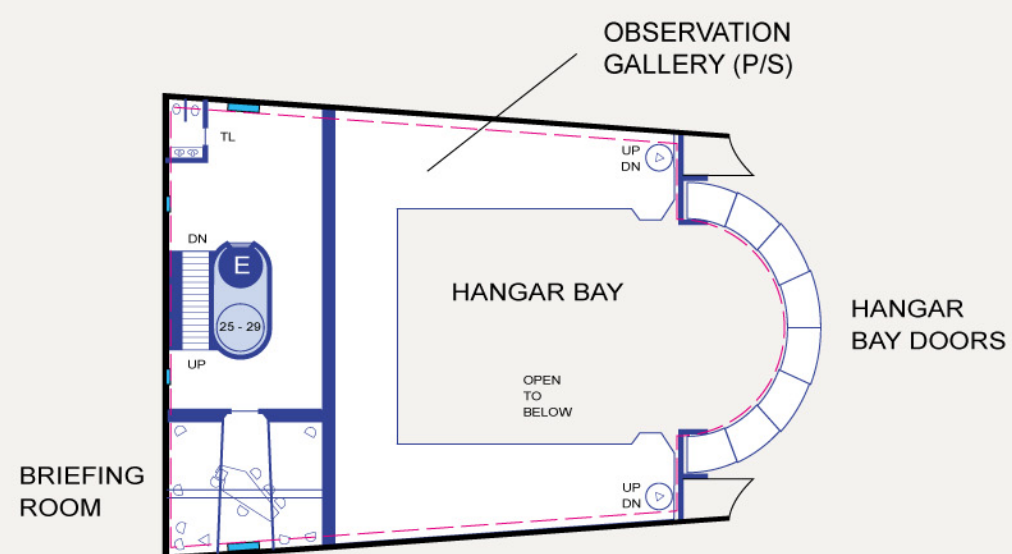
DECK 27  
The Observation Gallery and Flight Control are accessed from this level, but they are located a few steps down from this level.

DECK 28  
A Briefing Room is located on this deck. The lower part of the Observation Gallery and Flight Control are also located here, but can only be accessed from the deck above.

DECK 29  
Shuttlecraft maintenance occurs on the Flight Deck. Fuel and parts are stored in the deck below.

There is no elevator platform for the shuttlecraft; the markings on the Flight Deck are for targeting / landing.

DECK 30  
Fuel and parts for Shuttlecraft are stored here. The rear Phasers and the machinery for the Hangar Bay doors are at the aft end.



DECK 28: HANGAR BAY