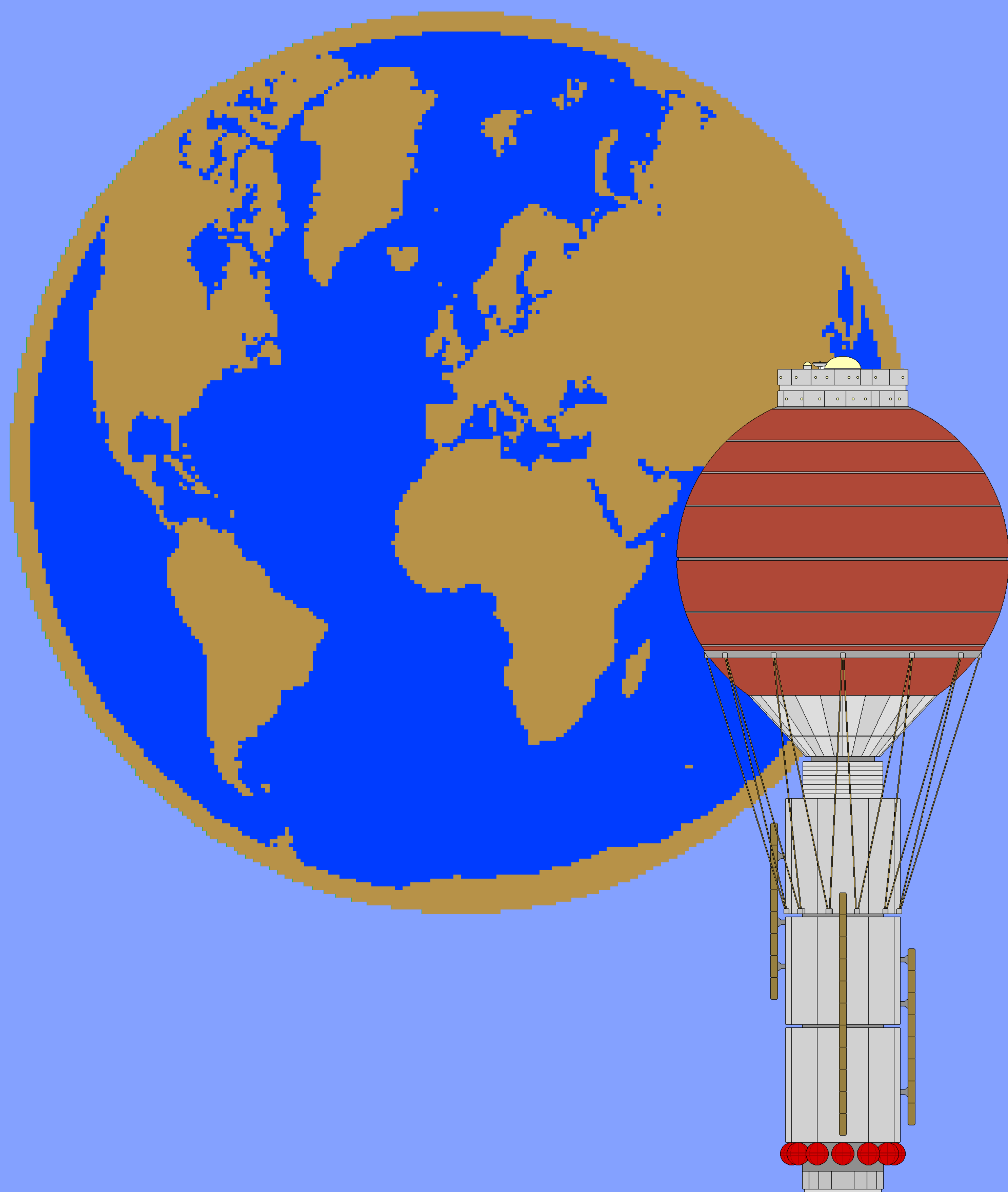


# STAR FLEET

STARSHIP RECOGNITION MANUAL

REPORT:

GALILEO EXPERIMENTAL PROPULSION SHIP





## FORWARD

My contribution to this project would not have been possible without those who came before me. Mainly, CaptShade, whose original drawings laid the foundation for my work by providing me the figurative and literal tools for my own creative output. Nichodo, who was a big help in creating aft and ventral views of various components. RevancheRM, whose ideas and drive helped me get a little more creative and better at something I really enjoy. And, most definitely, Neale "Vance" Davidson, whose enormous volume of work got me interested in doing this in the first place, and for inspiring us all.

- Adrasil

First, as always, thanks to Adrasil. Since partnering with him, I've taken some great artwork and added some context to it. He's really allowed me to scratch my writing itch, to the point it sometimes bleeds, but still feels Oh-So-Good. Next up, of course, is Timo Saloniemi, who's work I've been following for around two decades and I greatly respect. The artwork in these "Starship Recognition Manuals" are 97% based upon the ones he describes textually in his grand opus, the "Hobbyist's Guide to the UFP Starfleet and Its History," and 3% derived from what he has inspired in us.

- RevancheRM

Additional reports may be found at: [starshiptracker.com/deltadynamics](http://starshiptracker.com/deltadynamics)

## CREDITS

ADRASIL: All imagery (unless otherwise credited)  
[www.DeviantArt.com/Adrasil](http://www.DeviantArt.com/Adrasil)

REVANCHEM: All writing (unless otherwise credited)  
[www.DeviantArt.com/RevancheRM](http://www.DeviantArt.com/RevancheRM)

NEALE 'VANCE' DAVIDSON/JAYNZ: Project & cover concepts  
[www.DeviantArt.com/TFVanguard](http://www.DeviantArt.com/TFVanguard)  
[Jaynz.Trekships.org](http://Jaynz.Trekships.org)

STAR TREK DESIGN PROJECT: Source of sponsor icons  
[www.StarTrekDesignProject.com](http://www.StarTrekDesignProject.com)

TIMO SALONIEMI: Author of "Hobbyist's Guide to the UFP Starfleet", the inspiration for these SRMs. A direct link to his Google Drive may be found on most deviations in RevancheRM's gallery.

VIPERAVIATOR: Source of adapted cover starburst  
[www.DeviantArt.com/ViperAviator](http://www.DeviantArt.com/ViperAviator)

GALILEO EXPERIMENTAL PROPULSION SHIP:

- Original inspiration from: Spaceflight Chronology (Goldstein, Goldstein, Sternbach)

## NOTE FROM THE WRITING EDITOR

These ships do not always exactly match the specifications Timo provides in his technical section for each class, as I've adapted them in ways that allowed them to fit a bit better with the guidance provided by the starship construction rules in Steven Long's "Spacedock". I've also changed some dates around when I found them in conflict with other information Timo has provided. These two books greatly inform my own alpha-canon and I urge you to look up both online, as offered free by their respective authors. (Links to both are provided on the Delta Dynamics site.)

Delta Dynamics' Starship Recognition Manual, along with the Reports and all other similar publications released under that branding, are released as a public service to familiarize interested beings with the historic starship designs and technical developments of the United Federation of Planets Star Fleet, its member and preceding services, and those services of regional galactic neighbors. Despite the occasional presence of a sensitive nature of both those historic events and technical matters discussed herein, the distribution and handling of this publication has been ruled Security Grade 0 (Unclassified) by Star Fleet Support Operations, Office of Security.

Copyright 2421 by Delta Dynamics, Wellington, Earth.

Memory Terra/Memory Alpha Cataloging Data: UFP ITP/TE 7259381460303

Under the laws of the United Federation of Planets and its members, use or reproduction (in whole or in part) of the information contained in this publication—along with proper attribution of its source—is granted. This edition is authorized for distribution only in member star systems of the UFP its territories and possessions, affiliated star systems, and select independent or neutral star systems. "Star Trek" and all related likenesses are copyrights and trademarks of ViacomCBS. This publication has been established for informational and entertainment purposes only. No infringement of copyright nor trademark is intended. The fact that my internal arrangement differs from yours, doctor, pleases me no end.

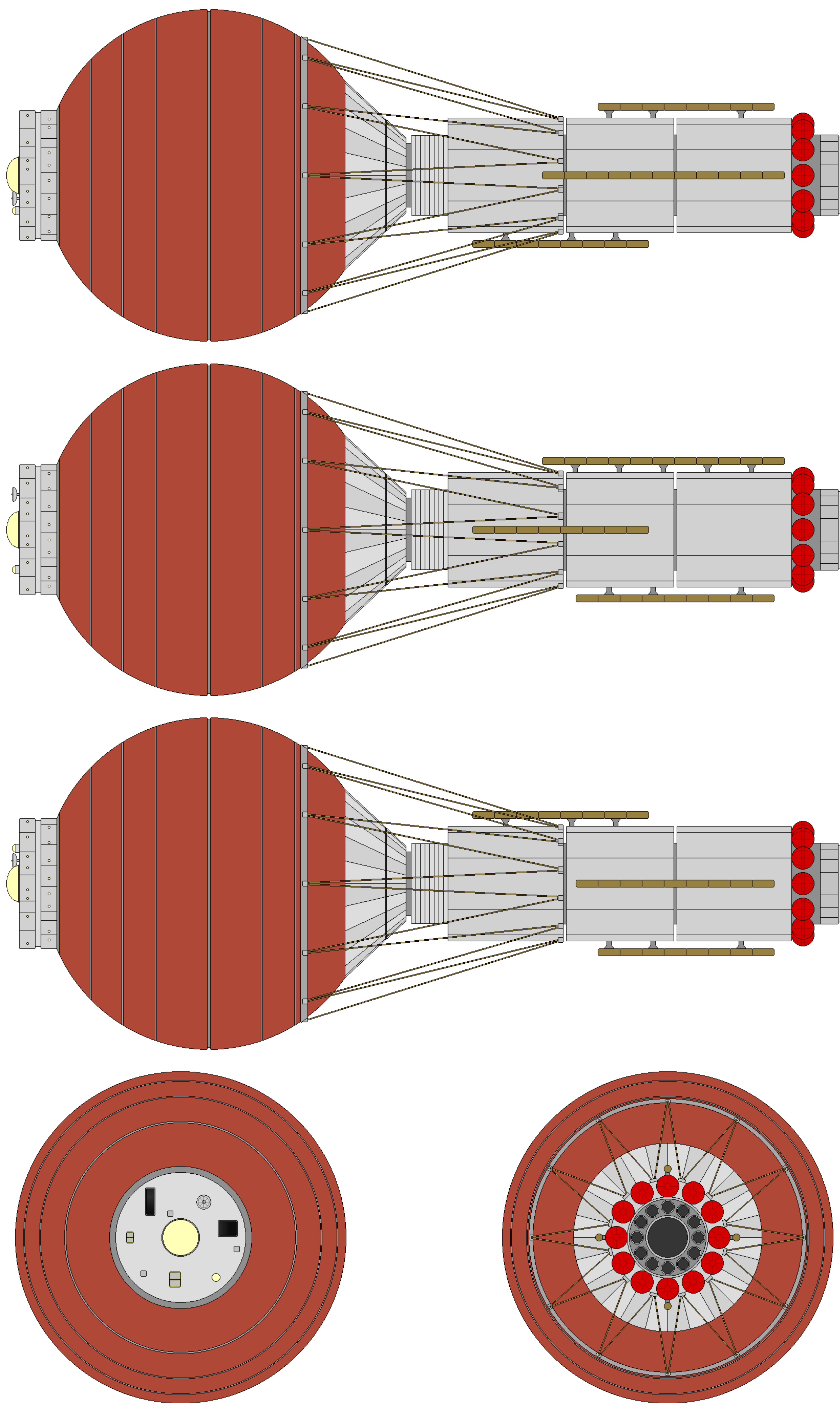


## CONTENTS

GALILEO	EXPERIMENTAL PROPULSION SHIP	PG 02:01
CLASS TIMELINE		PG 03:01
SHIP COMPARISON GUIDE		PG 03:02
GLOSSARY		PG 03:03
SPONSORS		PG 03:08
OTHER PUBLICATIONS		PG 03:09



# GALILEO EXPERIMENTAL PROPULSION SHIP







## GALILEO EXPERIMENTAL PROPULSION SHIP

CATEGORY: TESTBED  
OPERATIONAL: 2028 (PARTIALLY)  
CONSTRUCTED: 1

DIMENESIONS: TACTICAL: N/A  
LENGTH: 300.7 M  
BEAM: 119.4 M  
HEIGHT: 119.4 M  
MASS: 15,000 MT

PERFORMANCE: AUXILIARIES:  
MAX: 0.35 C - UNDETERMINED  
ENDURANCE: 27 YEARS

COMPLEMENT:  
CREW: 98

---

### AUTHORIZED CONSTRUCTION

THE FOLLOWING SHIP OF THE ABOVE CLASS WAS AUTHORIZED AS PART OF THE INTERNATIONAL SPACE AGENCY BY NEW UNITED NATIONS APPROPRIATION.

GALILEO

---

### GENERAL INFORMATION

By the mid-2020s, there was a small but growing number of commercial spacecraft designs that followed the introduction of the DY-120 interplanetary transport. These ships represented a myriad of purposes: orbital facility construction, asteroidal ore offloading, main belt exploration, near-Earth scientific explorers, junk retrieval, personnel and tourist transports, most anything relatively local that was not Mars-bound (which was still considered "off limits").

The Grand Mission was ongoing, with one *Aventeur* (the *Stephen Long*) left to launch. The perceived inherent danger of long-distance solar exploration was magnified by the extreme length of these missions; *Aventeur IV* had just arrived at Saturn after eleven years, and was not expected back to Earth for another fourteen. As ion propulsion technology steadily evolved, some astronomical engineers sought to create a drive that would figuratively and literally boost the output and velocity of Earth spacecraft, in order to—at first—dramatically decrease the time that passed to get from one inner system point to another, and then extend the range of those missions. These technologists saw exploration and resource gathering of the Oort cloud as achievable within the next two decades, not something that was a century or longer away, as was commonly accepted.

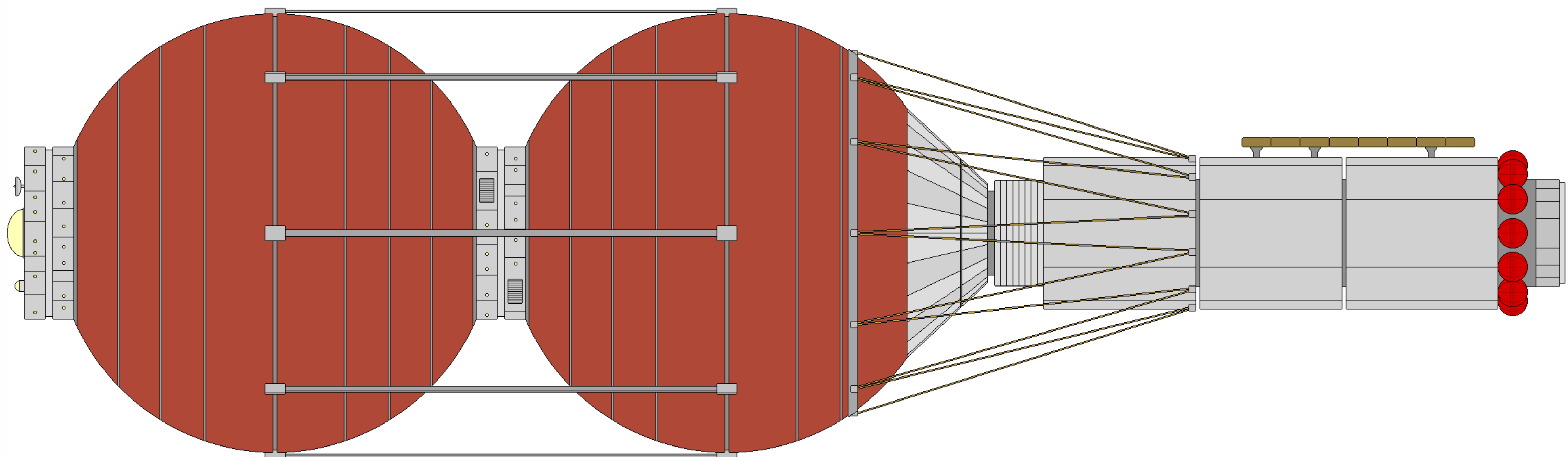
The propulsion vehicle they had their eye on was of an experimental nuclear thermal rocketry (NTR) design. With nuclear fusion on the cusp of becoming viable for spacecraft, the hyper-expensive Galileo concept envisioned the NTR drive using a reactor utilizing laser exciters to allow the necessary miniaturization. This endeavor would be fueled by liquid hydrogen stored in the bulk of the spacecraft's hull and could conceivably achieve—with consistent acceleration—an unheard of 0.35 c velocity. With such a drive, the inner boundaries of the Oort cloud could be only months away. The nearest star, Proxima Centauri, which was over 35 years distant with the present ion drive technology, would only be a mere 12 years away; a round trip would come out to six years less than the entire mission of the Lewis and Clark system explorer.

The Galileo test vehicle, as commissioned by the ISA, had a particularly specific design, with a massive (nearly 88,000 m<sup>3</sup>) liquid hydrogen-2 tank dominating. While not specifically necessary for trial runs, it was thought best to provide an over-abundance of fuel lest a test burn that could not be decisively shut off at the intended conclusion left the ship continuing into the void of the outer system and beyond, far out of range of any rescue attempt. There was no considerable concern for this scenario, but the enlarged tank supported a secondary goal that a successful test run would also validate follow-on vessels that were equipped with enough fuel to both retro-burn for approach to the destination and then return to Earth.



## GALILEO EXPERIMENTAL PROPULSION SHIP GENERAL INFORMATION (CONTINUED)

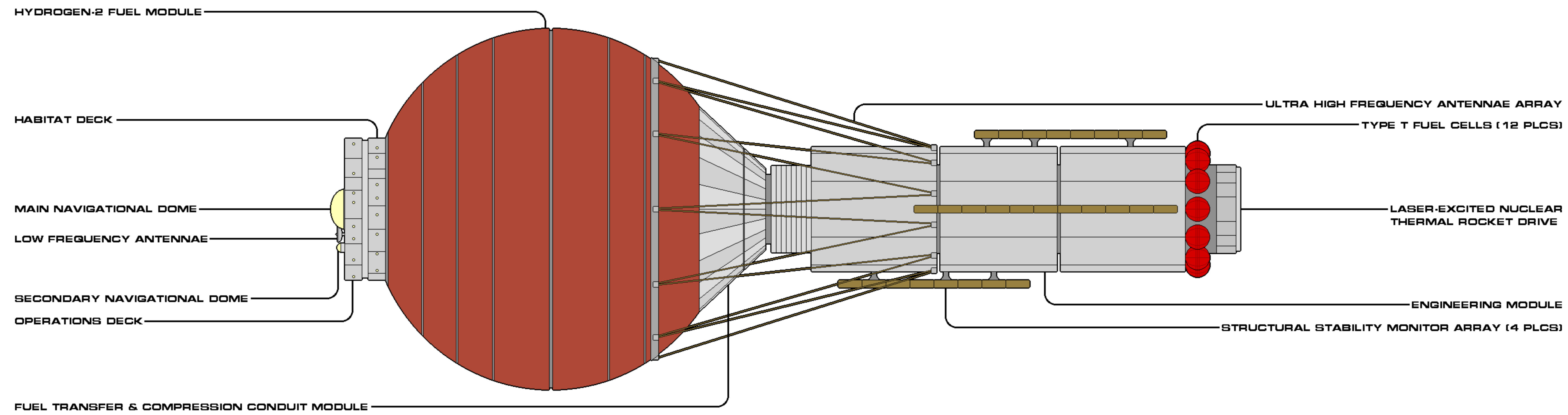
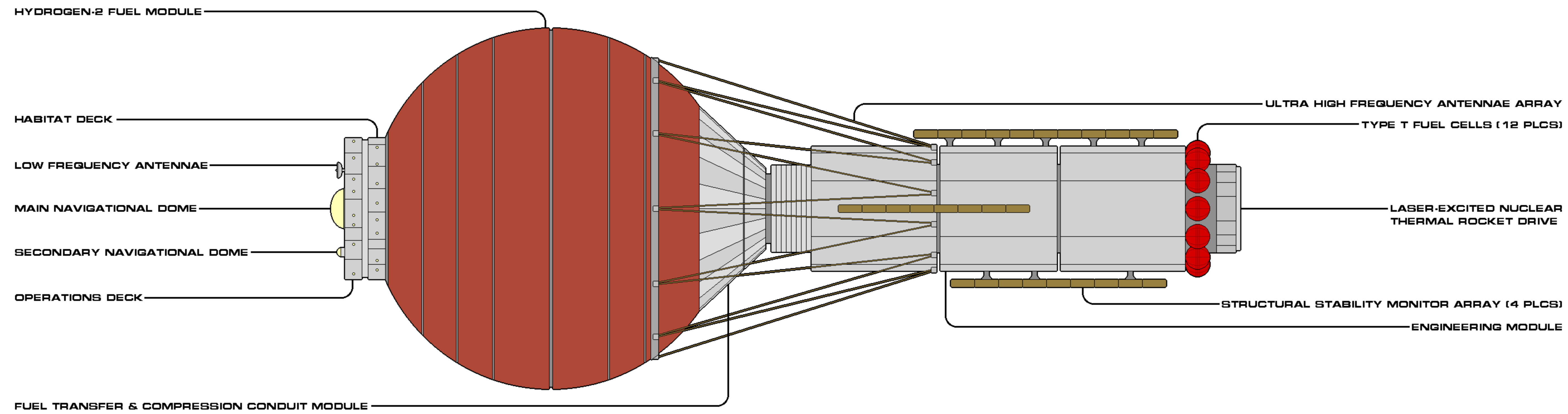
The "bow" of the vessel was a broad flat circular area serving as the top of the two-deck habitat ring. Cargo hatches and emergency vents adorned this region of the vessel, with a prominent navigational dome serving to take in star positions every fraction of a second, to ensure a precise positional awareness. A low-frequency dish antenna served as a back-up method of communication through deep-space relays placed outbound of the ship and as the main method when returning from the completed trial run. Twenty-four linear antennas—fixed just forward of the fuel transfer module and almost mid-way down the engineering module—served a unique purpose on the ultra-high frequency range, as it was conceptually possible that the thrust of the NTR would otherwise interfere with transmissions and reception of radio signals with a dish design. Though appearing to serve as (completely unnecessary) tie-down straps, their placement instead was meant to address the off-axis angle of the ship's outbound vector in relation to the observation stations on Earth and Luna, enhancing the integrity of essential distance-delayed data and voice transmissions. Four structural stability monitors were installed at non-symmetrical but equidistant positions about the aft module (though forward of the NTR drive itself).



Conceptual plans for post-testing operations saw an additional fuel tank—of identical proportions—added to the fore of the Galileo, with a similar habitat ring ahead of that. The original ring, now sandwiched between the two tanks, would be converted into an atmospheric mining space, from which a scoop drogue and rig could be extended into the upper atmosphere of a gas giant, replenishing the fuel tanks with free hydrogen. The habitable areas would accommodate the supplies, including foodstuff and spare parts, that would be deemed necessary for mankind's first interplanetary voyage.

The Galileo testbed entered the history books, not for the achievement of any of these grand designs, but from its catastrophic and early conclusion. What was to have been a simple start-up test of the laser-fusion excitors (the fusion reactor itself was still in the design phase) out at the L5 orbital point instead turned into a silent but huge conflagration as the helium inadvertently leaked from internal supply lines during the excitation warm-up procedures. All 98 crew members, as well as eleven observers, perished immediately.

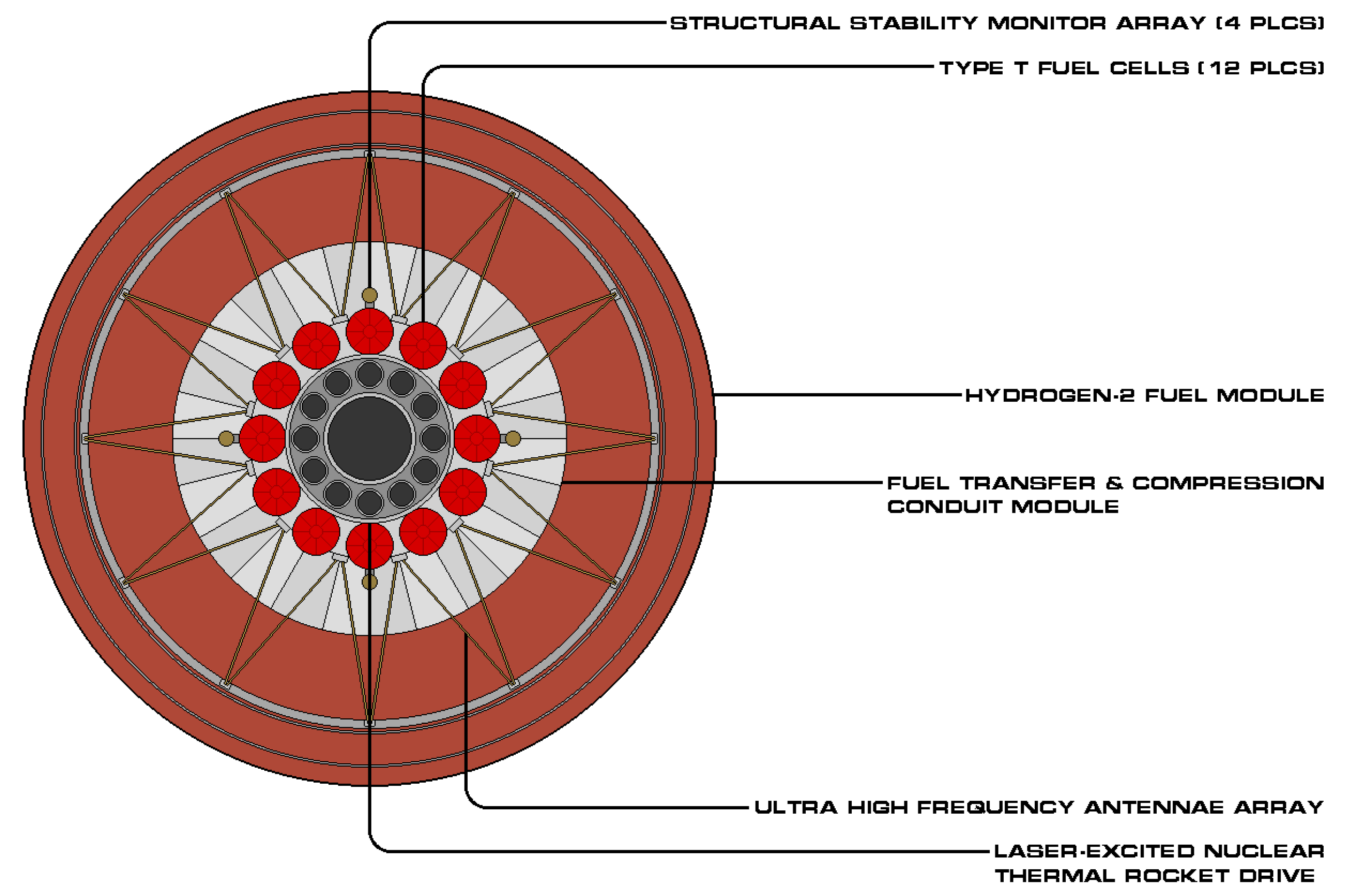
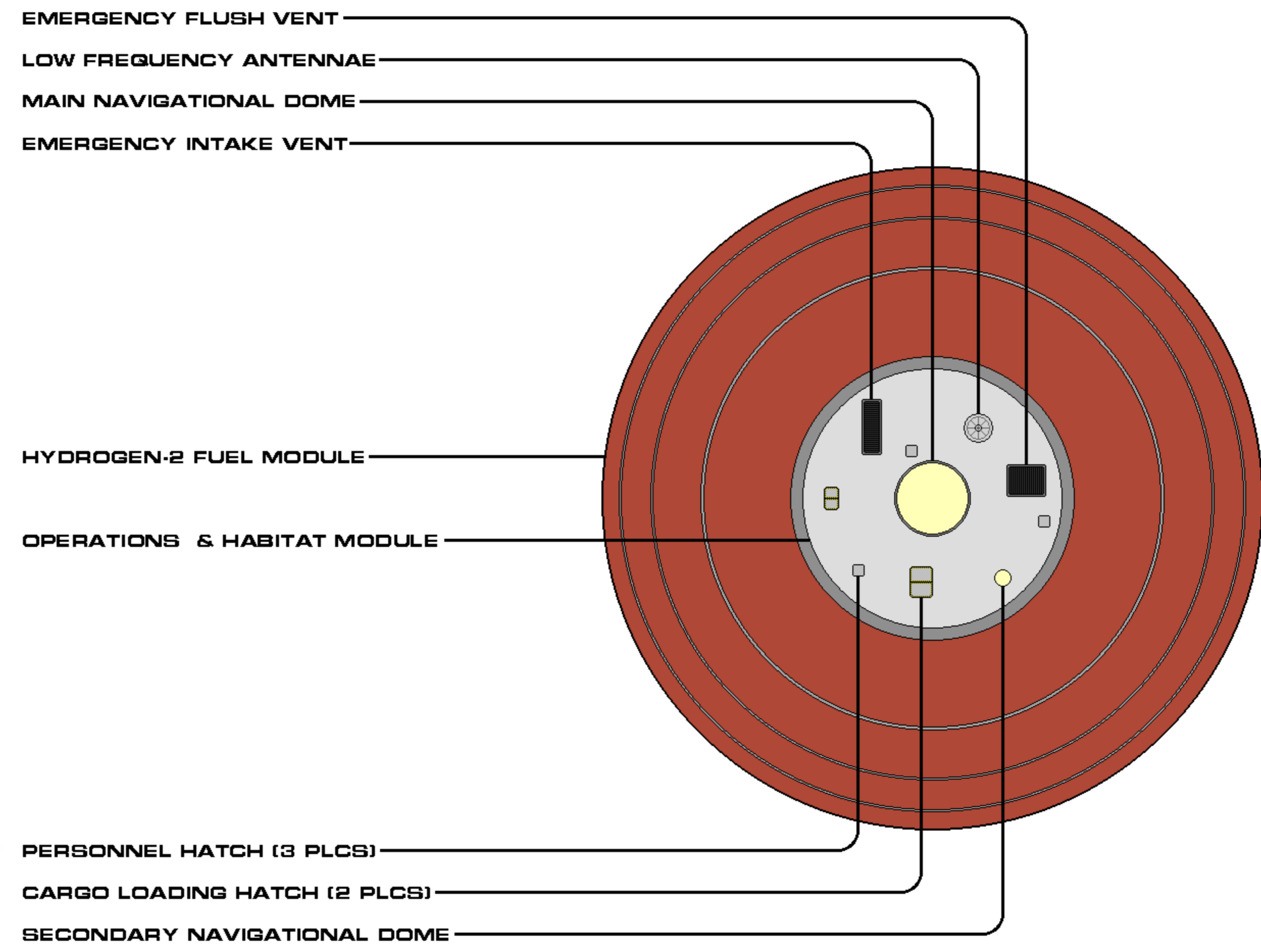
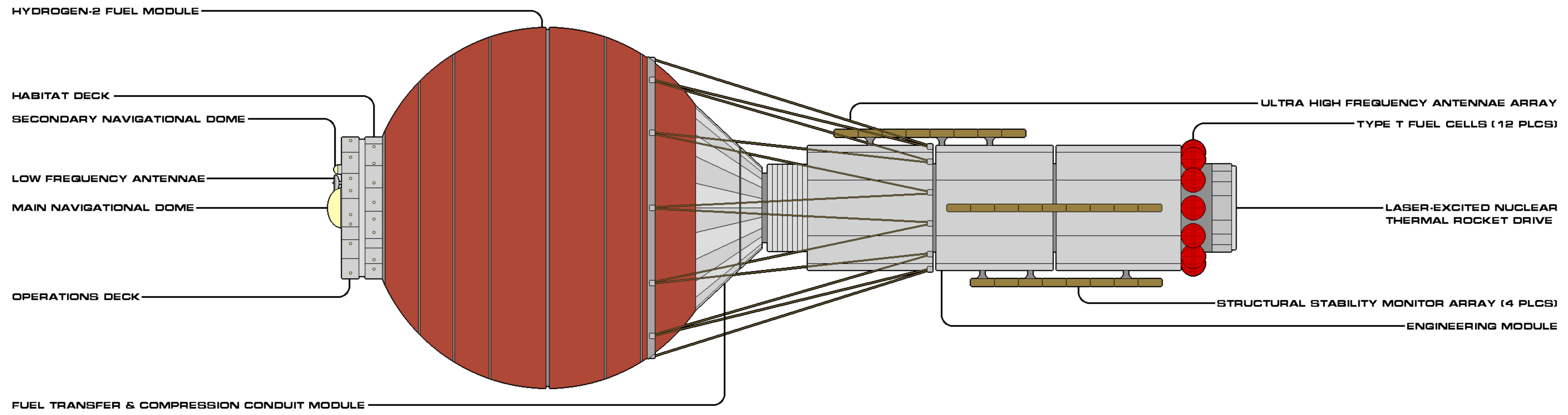




SHEET 1 OF 2	
CLASS GALILEO	CATEGORY EXPERIMENTAL PROPULSION
VARIANT N/A	CONSTRUCTED 2028
LENGTH 300.1 M	BEAM 119.4 M
HEIGHT 119.4 M	MASS 15,000 MT
OPERATIONAL 1	RELEASE DATE 2104.20

Authorized for release by Star Fleet Bureau of Starship Construction





SHEET 2 OF 2

CLASS GALILEO	CATEGORY EXPERIMENTAL PROPULSION
VARIANT N/A	CONSTRUCTED 2028
LENGTH 300.1 M	BEAM 113.4 M
HEIGHT 113.4 M	MASS 15,000 MT
OPERATIONAL 1	RELEASE DATE 2104.20

Authorized for release by Star Fleet Bureau of Starship Construction





## CLASS TIMELINE

2018

The New United Nations creates the International Space Agency (ISA), an effort intended to coordinate combined national space exploration and safe operation and transit of commercial vessels.

The Western Alliance turns over the Aventure space missions to the ISA. The European Union turns over all European Space Agency operations to the ISA.

2019

On the 50th anniversary of Apollo 11, the New United Nations declares all seven Apollo landing sites as historic monuments.

The Ponce de León (Aventure II) arrives at Uranus as part of the Grand Tour.

The John Powell (Aventure IV) launches from Earth on a Grand Tour to Saturn and Pluto.

2020

The Lewis and Clark (Aventure I) arrives at and studies Saturn, the first manned spacecraft to visit the planet. The crew discovers evidence of extraterrestrial mining on the moons of Enceladus and Dione (although this knowledge is not released until 2039).

The Western Alliance provides the military command structure for the New United Nations, giving the former extraordinary authority over global troublespots.

2021

The DY-100 interplanetary transport re-enters production at multiple facilities around the world, most notably in the ECSCA, United States, and China.

2022

The subspace dimension is discovered, though as yet there is no means to tap its potential.

The Alexander Mackenzie (Aventure III) arrives at Neptune as part of the Grand Tour.

The John Frémont (Aventure V) launches from Earth on a Grand Tour to Jupiter and Neptune.

2024

Several European nations, including France, become politically destabilized. The Bell Riots in the United States, the Neo-Trotsky Movement in Russia, a resurgent eugenics movement in Southeast Asia, and the Avignon Riots in France harken the destabilization. Ireland is reunified by force.

2025

The Venus Terraforming Project begins.

The John Powell (Aventure IV) arrives at Saturn as the first part of its Grand Tour.

The Aventure VI mission (Stephen Long) to Saturn and Uranus is canceled, prior to launch.

Construction begins on the Galileo experimental

propulsion ship.

2026

Factions of eco-terrorists launch a series of attacks that are responsible for as many as 37 million deaths.

Astronomers detect a series of asteroids on a clear path for a near-Earth passage. Multiple analysis of the threatening asteroids confirms a number of them will collide with the Earth over a period of three years (starting in 2031), threatening all life.

The Ponce de León (Aventure II) returns to Earth, having completed its part of the Grand Tour.

The John Frémont (Aventure V) is remotely recalled to Earth, well prior to its arrival at Jupiter.

2028

The final DY-100 interplanetary transport is constructed on Earth.

The Alexander Mackenzie (Aventure III) returns to Earth, having completed its part of the Grand Tour.

The Galileo experimental propulsion ship is lost in a catastrophic failure of its hydrogen-2 supply.

2029

Fusion power technology is achieved; work immediately begins to make it space-capable.

The John Frémont (Aventure V) returns to Earth, having been prematurely and remotely recalled.

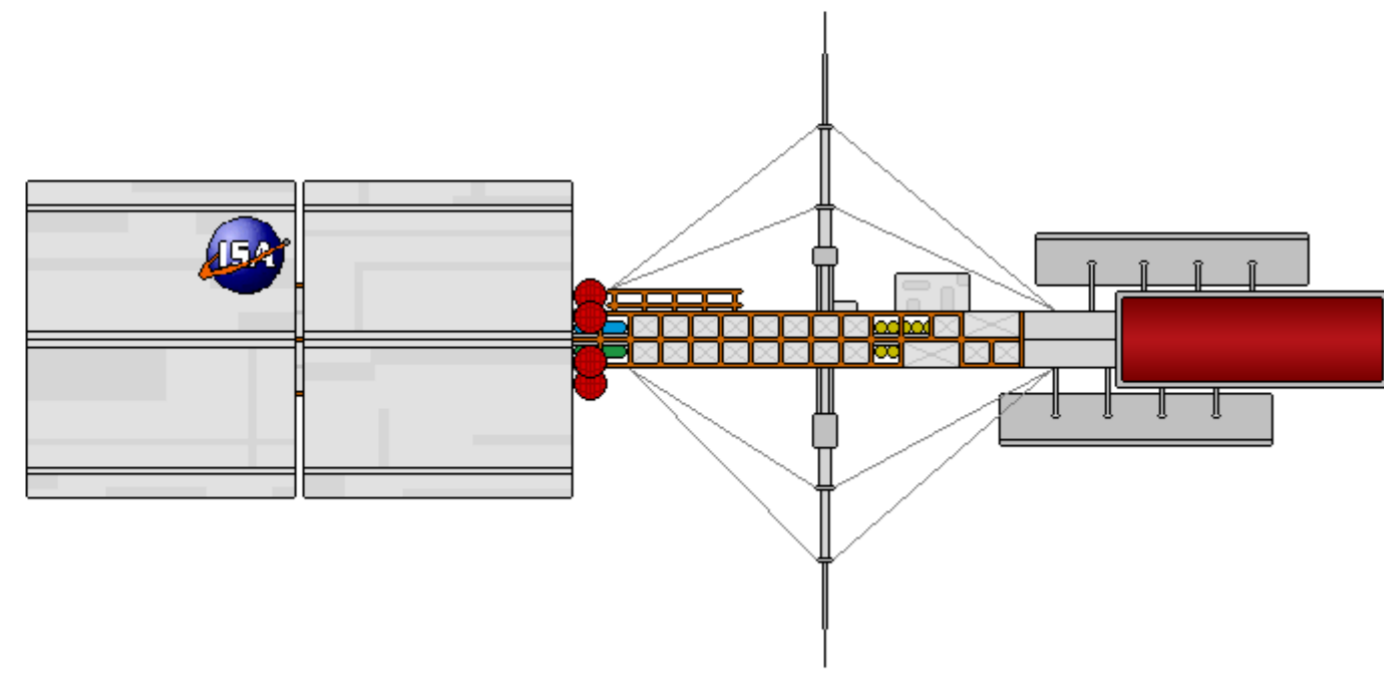
2030

The Ares I is Earth's first manned mission back to Mars, since the fall of the Great Khanate.

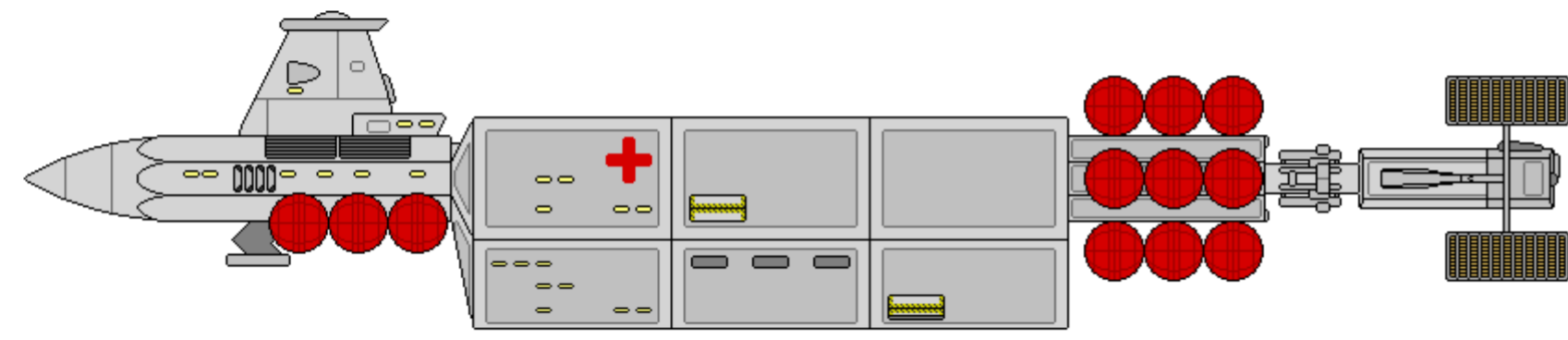
The first successful and controlled matter-antimatter energy conversion is tested under laboratory conditions.



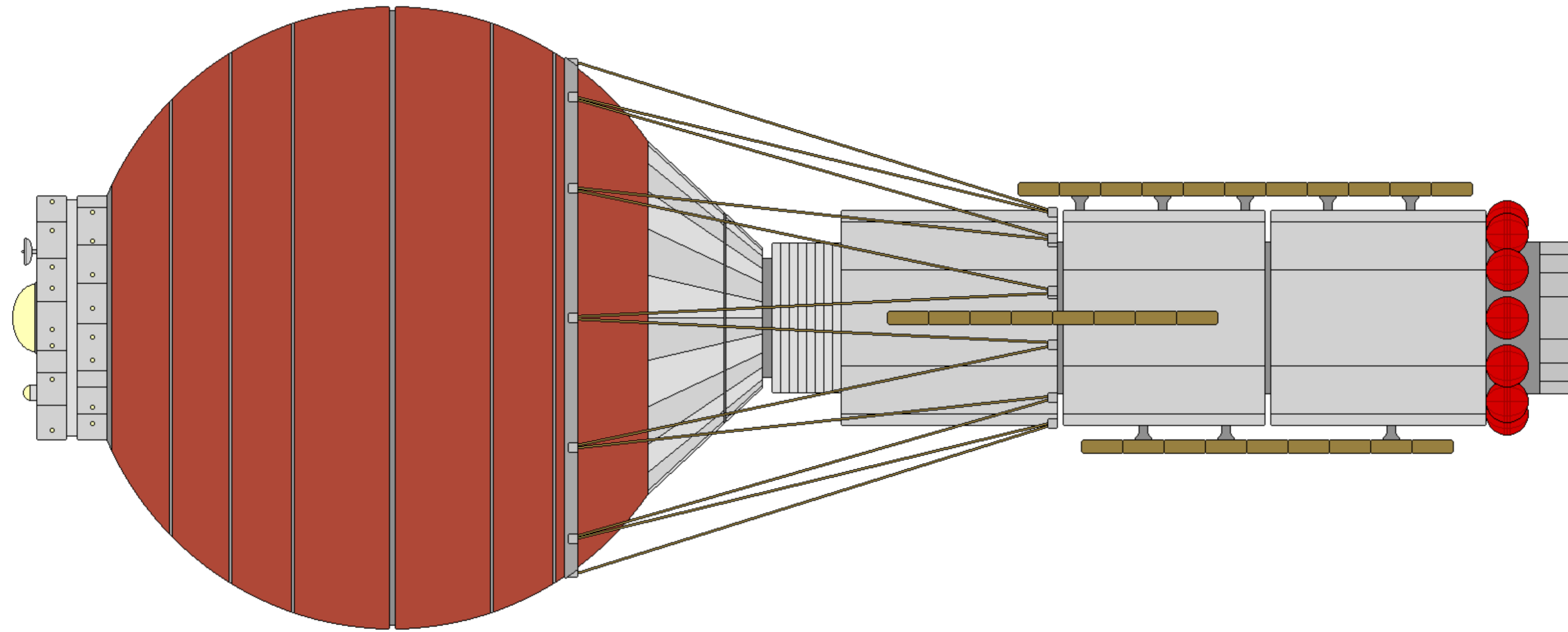
# SHIP COMPARISON GUIDE



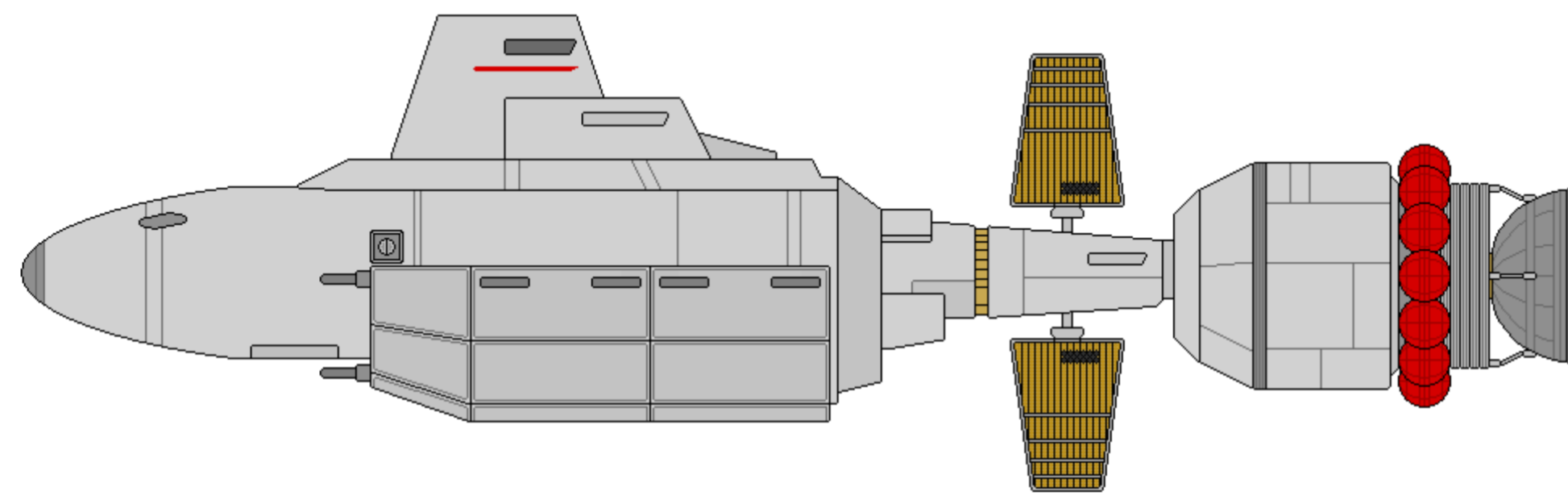
AVENTEUR  
MISSION  
SPACECRAFT



DY-120 BRENTON  
MISSION  
SPACECRAFT



GALILEO  
EXPERIMENTAL  
PROPULSION SHIP



DY-140 HELSINKI  
MISSION  
SPACECRAFT



## GLOSSARY

**Array:** Generally, a combination of identical sensors, weapons, or other equipment operating in conjunction.

**Augment:** A type of Human genetically modified before birth (originally) in the mid-20th century.

**Auxiliary:** a common name for small craft embarked aboard and utilized by starships for various tasks. Craft types include work pod, shuttlepod, shuttle, plus various tactical craft and other special-purpose craft.

**C/P/S:** Centerline/Port/Starboard (see P/S).

**China:** On Earth, a powerful pre-Unification state; joined the Eastern Coalition (ECON) in 2031, and formally absorbed in 2055.

**CNSA:** China National Space Administration, the official launch agency for the pre-Unification state of China on Earth.

**Corvette:** Small warp-capable ship dedicated to local patrol, law enforcement and community service missions. Sometimes landing-capable, not dependent on starbase facilities for support.

**Cruiser:** A medium multi-purpose starship. The largest exploration vessels until the early 24th century, when relegated to other duties with the introduction of large Explorer starships.

**Deep space:** The region near or beyond the recognized borders of the Federation, often uncharted in any considerable detail.

**Deimos:** one of two natural satellites of the planet Mars.

**Delhi:** a territory of the pre-Unification state of India on Earth.

**Destroyer:** A medium offense starship intended for destroying enemy capital ships and installations, as well as conducting fleet escorts.

**Deuterium:** hydrogen-2, or heavy hydrogen; an isotope of hydrogen often used as one of the primary ingredients for fuel in matter-antimatter reactors (the other being antideuterium).

**D-Y:** Dinyan-Yoyodyne Conglomerate, a pre-Eugenics War technology and industry sector corporation on Earth that served as the Great Khanate's agent in plans for planetary domination. Collapsed into smaller, disparate companies in 1996.

**EC:** Eurasian Confederation, a large pre-Unification nation-state on Earth, formed from the smaller states of Afghanistan, Kazakhstan, Kyrgyzstan, Mongolia, Russia, Tajikistan and Uzbekistan in 1996. It was absorbed into the Eastern Coalition (ECON) in 2031, formally so in 2055.

**ECS:** Earth Cargo Ship, a prefix for vessels flagged under the governing authority of the Earth Cargo Service.

**ECSA:** Eurasian Confederation Space Agency; formed in 1996 from the constituent agencies and absorbed into the ECSN in 2031.

**ECSN:** Eastern Coalition Space Navy; formed in 2031 from the alliance's constituent agencies.

**ELRS:** Extreme Long Range Sensor

**ESA:** European Space Agency, an intergovernmental space exploration organization of 22 European member states on pre-Unification Earth.

**Eugenics Wars:** a late 20th century global conflict on Earth in which the Augments established themselves as super men and attempted world domination.

**Flight:** A modification to a class of ship intended to be incorporated by most or all members of that class.

**Frigate:** Until the late 22nd century, a dedicated medium defense and escort starship, larger than corvette but smaller than destroyer, often capable of trans-atmospheric operations. In the 23rd century and into the early 24th century, often used to designate defense and escort starships ranging from small patrol and escort ships typically lacking torpedo armament to versatile multipurpose ships similar to light cruisers.

**FTL:** Faster Than Light





## GLOSSARY (CONTINUED)

**Great Khanate:** an historical designation for the tight but self-contentious organization of Augments that sought to dominate Earth in the late 20th century, culminating in their defeat in the Eugenics Wars.

**GW:** GigaWatt

**HEO:** High Earth Orbit; a geocentric orbit with an altitude higher than 35,800 kilometers. In the modern idiom, High Planetary Orbit (HPO) is above that of the geosynchronous orbital range, with orbital periods greater than that of the rotation of the planet in question.

**India:** an important pre-Unification state; subsumed into the Eastern Coalition (ECON) in 2055.

**ISA:** International Space Agency, a NUN agency on pre-Unification Earth, formed in 2018 and serving as a conduit for peaceful and cooperative space activities by the major space-capable nations, and later for most space activities of any entity, including corporations, organizations, and private individuals. Succeeded by both the UESPA and UESN in 2067 and 2069, respectively.

**Ishakawa-Dell Barrier:** The exponential growth in the power required by early warp nacelles as FTL speeds approached warp factor 6 (on the OCU scale).

**ISRO:** Indian Space Research Organization, the national space agency for the pre-Unification state of India on Earth.

**KARI:** Korea Aerospace Research Institute, the national space agency for the pre-Unification state of South Korea on Earth; transitioned into the RAKS in 2003.

**Korea:** formally the Royal Republic of Korea on Earth, a 2003 (pre-Unification) merger of the prominent nation of South Korea and the xenophobic and developmentally-devastated state of North Korea.

**Laser:** Typically, a secondary weapon on early space vessels. Current shielding technology has largely negated the threat posed by the coherent electromagnetic beam.

**LEO:** Low Earth Orbit; an altitude of 2,000 kilometers or less. In the modern idiom, Low Planetary Orbit (LPO) is approximately one-third or less of the radius of the planet in question.

**Lunar:** of or relating to Luna (see Moon).

**M:** Meters

**Main Belt:** the designation for the Sol system's major asteroid belt.

**M/AM:** Matter/Antimatter

**Mars:** the fourth planet in the Sol system.

**Mission spacecraft:** a catch-all category for governmental spacecraft, though usually non-military, that operate independently and perform certain functions, such as search & rescue or regulatory enforcement.

**Moon:** the pre-colonization name for Luna, the sole natural satellite of Earth.

**MT:** Metric Tons

**NASA:** National Aeronautics and Space Administration, an independent agency of the United States government responsible for the civilian space program, as well as aeronautics and space research.

**Navigation Light:** Yellow in color, these lights are generally located on or near major points of superstructure of a space vessel. They often provide low-emission positioning signals for specific locations on and within the vessel for the purposes of proximity maneuvering by another vessel and relative destination positions for transporters. Not to be confused with red or green running lights.

**NCC:** Letter prefix in UFP Starfleet vessel registries, anecdotally said to come from the term Naval Construction Contract. Current usage has letter N signifying UFP registry, and CC signifying active Star Fleet forces.

**Nearspace:** The region of the Federation considered to be internal, fully charted, and uncontested.

**NTR:** nuclear thermal rocketry



## GLOSSARY (CONTINUED)

**NUN:** New United Nations. Formed in 2011, first dissolved in 2053 (during the Third World War), re-formed in 2065 (two years following First Contact), then finally dissolved in 2079. Authorized the formation of the ISA (2018), UESPA (2067), UEDP and UESN (both 2069). Succeeded by the UEDP.

**Oceania:** On Earth, a distinct geographic region spanning the eastern and western hemispheres of the northern and southern Pacific Ocean.

**OCU:** Original Cochrane Units, representing the original warp scale, where the warp factor cubed was the velocity in  $c$ , the speed of light.

**P/S:** Port/Starboard; left & right side, respectively, in naval parlance.

**Particle Cannon:** A primary or secondary weapon on some early space vessels, though generally replaced by phaser technology. The weapon accelerated charged or neutral matter (or antimatter) particles to relativistic speeds. Also commonly known as phase cannons.

**Phase Cannon:** (see Particle Cannon)

**Phaser:** A directed-energy/particle weapon in common use aboard Star Fleet vessels, as well as other UFP and foreign fleets. Based upon rapid nadiion effect, it generates a wide-band particle beam utilizing both electromagnetic and subspace components.

**Phobos:** one of two natural satellites of the planet Mars.

**Plasma Cannon:** A projectile weapon in common use aboard early space vessels. A sublight weapon, the cannon generates, contains, and directs the release of ionized matter. The weapon is often complemented by particle and/or laser weapon systems.

**RCS:** reaction control system; a spacecraft system that uses thrusters to provide attitude and station-keeping control (and sometimes propulsion).

**RAKS:** Royal Republic of Korea Spaceforce, the new nation's space and regulatory agency. Merged with other international agencies to form the ECSN in 2031.

**Running Light:** Red (port/left) and green (starboard/right) lights traditionally denoting the observed side of a water vessel under low light conditions. Utilized for similar purposes by space vessels of the UFP, though generally for rapid orientation by the pilots/helms of other vessels maneuvering in close proximity. Not to be confused with yellow navigation lights.

**Russia:** an important pre-Unification state on Earth; it merged with six other states in 1996 to form the Eurasian Confederation (EC).

**Scout:** A small to medium, fast research and/or reconnaissance space vessel, equipped with extensive sensor and research equipment. Though protected by defensive energy weapons, most substitute probe launchers for torpedoes.

**Shuttle:** An auxiliary craft usually carried by larger vessels for orbit-to-ground transportation or detached operations. Also used for starbase liaison duties.

**Shuttlepod:** Very small auxiliary craft used for ship-to-ship or orbit-to-ground transportation, free-space maintenance, and repair work, and detached operations of a very limited nature. Usually not equipped with a warp drive.

**South Korea:** an important pre-Unification state on Earth; it merged with the smaller, xenophobic and developmentally-devastated state of North Korea to form the Royal Republic of Korea in 2003.

**South Pacific Ocean Uninhabited Area:** a spacecraft "cemetery" on Earth, a target in pre-Unification times for spacecraft that had reached the end of usefulness and destroyed by de-orbiting.

**Star Fleet:** The primary exploration and defense organization of the UFP. Formed in 2161 to protect the integrity of the Federation and the safety of its members and to expand the knowledge of the member cultures.

**Starfleet:** Short-hand name for the United Earth Starfleet (UESF), the primary exploration and defense organization of United Earth 2033-2161. Not to be confused with the UFP Star Fleet. Renamed Earth Fleet upon the formation of the United Federation of Planets.

**STL:** Slower Than Light (also known as sublight).



## GLOSSARY (CONTINUED)

**Subclass:** A significant variant of a given class of ship, usually newbuilds, though sometimes including important modifications to existing ships, that are not intended to replace the existing ships of the original class. Often named for the first ship to reach that final intended production standard.

**Tender:** An auxiliary vessel specifically designed for deep space replenishment and support of starships and other vessels. While often equipped with a tractor device, the inability to efficiently tow another vessel in warp distinguishes the tender from a tug.

**TNG:** Terrance-Nelorr Graduated scale where upon each full warp factor is achieved when a certain number of cochranes were met in output, resulting in more efficient engine plateaus. In this scale, Warp 10 is unattainable.

**Torpedo:** The general designation for warp-capable guided projectile weapons, in contrast to sublight-only guided missiles.

**Transport:** A Starship or other vessel dedicated to transporting passengers or cargo. They range in size from small two- or three-crew ships to huge starships and freighters.

**Tug:** 1) A warp-powered ship specifically designed to extend her warp field around objects that can thereafter be towed at warp speeds. Primarily used for the carriage of transport pods and towing of disabled starships or other equipment lacking appropriate motive capabilities. 2) A craft designed to propel ships or equipment lacking motive power about a limited area of operation, such as a space dock or construction site. May also refer to such a vessel intended to assist ships maneuvering within and in the vicinity of docking facilities.

**TW:** TerraWatt

**Tyme Barrier:** The exponential growth in the power required by early warp nacelles as FTL speeds approached warp factor 7 (on the OCU scale).

**UEDP:** United Earth Defense Pact. Formed by the NUN in 2069 to put the "Earth's ascendancy and safety ahead of national goals". Tasked with the combined command and control of the planet's various armed forces, it became the de facto world government upon the NUN's second dissolution in 2079, until superseded by the United Earth government in 2130.

**UES:** United Earth Ship. Ship prefix for the names of vessels of the UESN.

**UESF:** (see Starfleet)

**UESN:** United Earth Stellar Navy. Predecessor to the UESF. Formed under the authority of the United Earth Defense Pact in 2069.

**UESPA:** United Earth Space Probe Agency. Formed by the NUN in 2067, relieving the ISA of the coordination and development of human presence in interstellar space. Re-purposed as the exploration arm of the NUN in 2069.

**UESS:** United Earth Space Ship. Ship prefix for the names of vessels of the United Earth Starfleet.

**UFP:** United Federation of Planets. Formed in 2161 by a coalition of United Earth, the Andorian Empire, Tellar, Alpha Centauri, and the Confederacy of Vulcan, following the Romulan War.

**UFP SF:** (see Star Fleet)

**United States:** On Earth, a powerful pre-Unification nation. An original signatory to the *Traité d'Unification*, which established the United Earth government in 2130.

**USAF:** United States Air Force, the aerial and space warfare branch of the armed forces of the pre-Unification nation of the United States on Earth.

**USS:** UFP Star Fleet Starship. Ship prefix for the names of Star Fleet vessels, emblazed on ship hulls (along with the ship's registry number). Commonly abbreviated as "United Starship" in verbal communication, although the expressions "United Spaceship" and "Federation Starship" are also frequently used.

**Venus:** the second planet in the Sol system.

**Western Alliance:** Originally a NATO agency to oversee the 2002 pre-Unification economic and defensive agreement between Earth's United States and European Union, it became a major force for the coordination response to the Swarm incident of 2026 and a competitor to the rival Eastern Coalition.





## GLOSSARY (CONTINUED)

Work Pod: The general name for manned, sub-impulse craft used for construction, maintenance, repair, and other service tasks in space. A variety of external tools and modules are attached to the work pods to facilitate a multitude of tasks.

YPS: Yoyodyne Propulsion Systems, an offshoot and surviving entity of the post-Eugenics Wars Dinyan-Yoyodyne Conglomerate on Earth; most associated with the United States and Korean nations, as well as the Western Alliance.



Delta Dynamics appreciates the sponsorship of the following:



Dytallix Mining Company



Star Fleet Museum



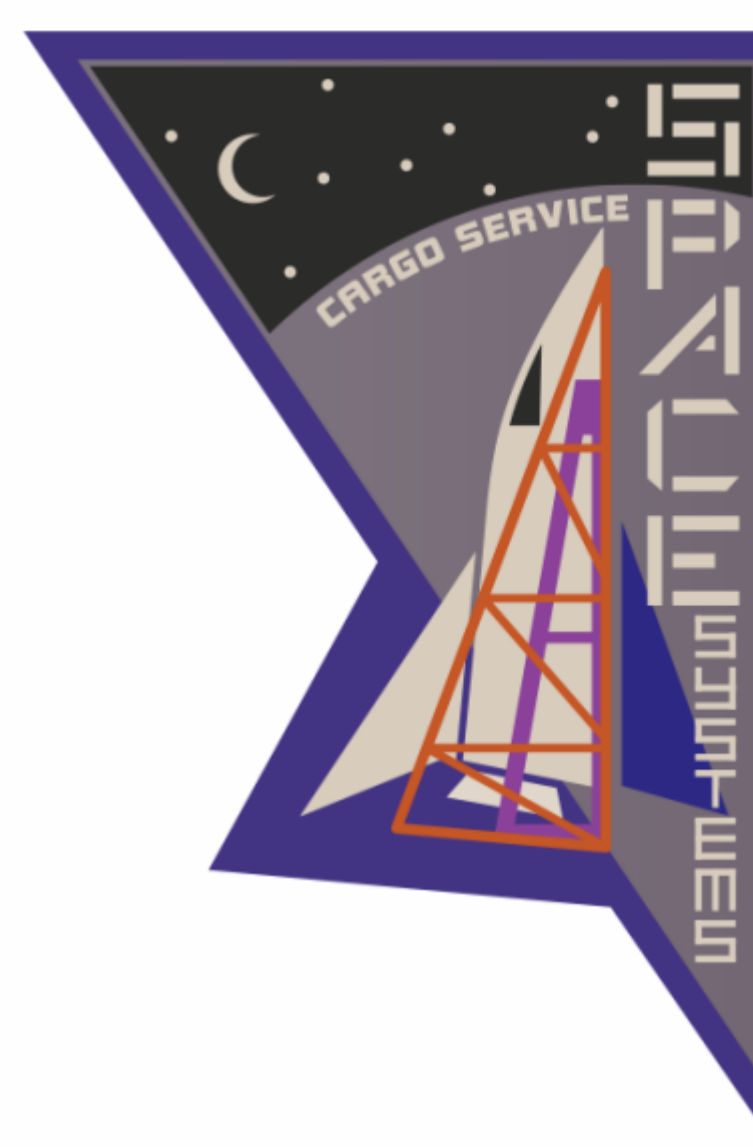
Technology Future Magazine



SafeTech Industries



Resorts of Risa



Space Systems Cargo Service



GNN News Service



Daystrom Institute

...and Members like you.



THE FOLLOWING ARE OTHER STARSHIP RECOGNITION MANUALS  
PUBLISHED BY DELTA DYNAMICS:

## **REPORTS**

- APHRODITE mission spacecraft
- AVENTEUR mission spacecraft
- BONAVENTURE survey cruiser
- BONAVENTURE dilithium power testbed
- BURKE frigates
- CAVALRY light destroyers
- CONSTITUTION heavy cruisers
- DURANCE cargo tugs
- DY sublight interplanetary transports
- GALILEO experimental propulsion ship
- HORIZON heavy cruisers
- SYRACUSE destroyers
- TRENT destroyers



