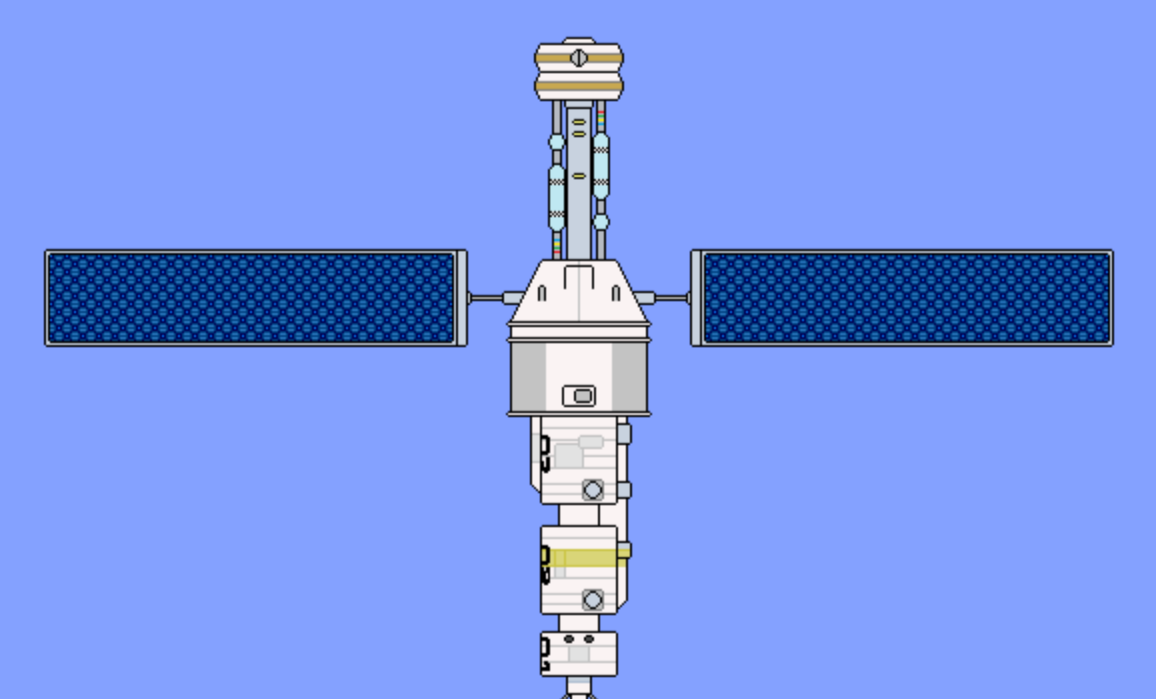


# *STAR FLEET*

## *STARSHIP RECOGNITION MANUAL*

*REPORT:*

*APHRODITE MISSION SPACECRAFT*





## FORWARD

My contribution to this project would not have been possible without those who came before me. Mainly, CaptShade, whose original drawings laid the foundation for my work by providing me the figurative and literal tools for my own creative output. Nichodo, who was a big help in creating aft and ventral views of various components. RevancheRM, whose ideas and drive helped me get a little more creative and better at something I really enjoy. And, most definitely, Neale "Vance" Davidson, whose enormous volume of work got me interested in doing this in the first place, and for inspiring us all.

- Adrasil

First, as always, thanks to Adrasil. Since partnering with him, I've taken some great artwork and added some context to it. He's really allowed me to scratch my writing itch, to the point it sometimes bleeds, but still feels Oh-So-Good. Next up, of course, is Timo Saloniemi, who's work I've been following for around two decades and I greatly respect. The artwork in these "Starship Recognition Manuals" are 97% based upon the ones he describes textually in his grand opus, the "Hobbyist's Guide to the UFP Starfleet and Its History," and 3% derived from what he has inspired in us.

- RevancheRM

Additional reports may be found at: [starshiptracker.com/deltadynamics](http://starshiptracker.com/deltadynamics)

## CREDITS

ADRASIL: All imagery (unless otherwise credited)

[www.DeviantArt.com/Adrasil](http://www.DeviantArt.com/Adrasil)

REVANCHEM: All writing (unless otherwise credited)

[www.DeviantArt.com/RevancheRM](http://www.DeviantArt.com/RevancheRM)

NEALE 'VANCE' DAVIDSON/JAYNZ: Project & cover concepts

[www.DeviantArt.com/TFVanguard](http://www.DeviantArt.com/TFVanguard)

[Jaynz.Trekships.org](http://Jaynz.Trekships.org)

STAR TREK DESIGN PROJECT: Source of sponsor icons

[www.StarTrekDesignProject.com](http://www.StarTrekDesignProject.com)

TIMO SALONIEMI: Author of "Hobbyist's Guide to the UFP Starfleet", the inspiration for these

SRMs. A direct link to his Google Drive may be found on most deviations in

RevancheRM's gallery.

VIPERAVIATOR: Source of adapted cover starburst

[www.DeviantArt.com/ViperAviator](http://www.DeviantArt.com/ViperAviator)

APHRODITE CLASS:

- Original inspiration from: Star Trek: The Next Generation ("The Neutral Zone")

- Incorporated parts from: CaptShade

## NOTE FROM THE WRITING EDITOR

These ships do not always exactly match the specifications Timo provides in his technical section for each class, as I've adapted them in ways that allowed them to fit a bit better with the guidance provided by the starship construction rules in Steven Long's "Spacedock". I've also changed some dates around when I found them in conflict with other information Timo has provided. These two books greatly inform my own alpha-canon and I urge you to look up both online, as offered free by their respective authors. (Links to both are provided on the Delta Dynamics site.)

Delta Dynamics' Starship Recognition Manual, along with the Reports and all other similar publications released under that branding, are released as a public service to familiarize interested beings with the historic starship designs and technical developments of the United Federation of Planets Star Fleet, its member and preceding services, and those services of regional galactic neighbors. Despite the occasional presence of a sensitive nature of both those historic events and technical matters discussed herein, the distribution and handling of this publication has been ruled Security Grade O (Unclassified) by Star Fleet Support Operations, Office of Security.

Copyright 2420 by Delta Dynamics, Wellington, Earth.

Memory Terra/Memory Alpha Cataloging Data: UFP ITP/TE 7259381460301

Under the laws of the United Federation of Planets and its members, use or reproduction (in whole or in part) of the information contained in this publication—along with proper attribution of its source—is granted. This edition is authorized for distribution only in member star systems of the UFP its territories and possessions, affiliated star systems, and select independent or neutral star systems. "Star Trek" and all related likenesses are copyrights and trademarks of ViacomCBS. This publication has been established for informational and entertainment purposes only. No infringement of copyright nor trademark is intended. Ah, yes. One of your Earth emotions.



## CONTENTS

APHRODITE	MISSION SPACECRAFT	PG 02:01
CLASS TIMELINE		PG 03:01
SHIP COMPARISON GUIDE		PG 03:03
GLOSSARY		PG 03:04
SPONSORS		PG 03:08
OTHER PUBLICATIONS		PG 03:09



## APHRODITE CLASS

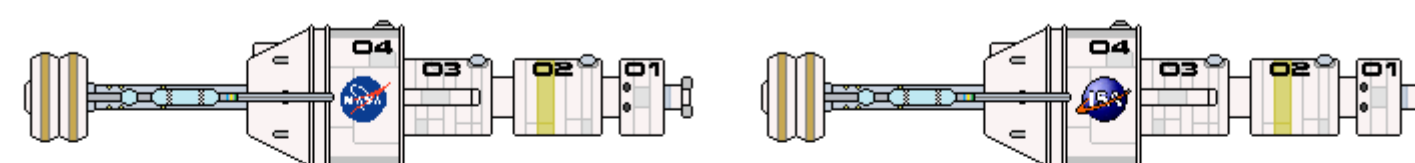


CATEGORY: MISSION SPACECRAFT  
OPERATIONAL: 2001 - 2047(?)  
CONSTRUCTED: 22

DIMENESIONS: TACTICAL: N/A  
LENGTH: 61.4 M  
BEAM: 98.2 M  
HEIGHT: 13.6  
MASS: 680 MT

PERFORMANCE: AUXILIARIES:  
CRUISE: - 2X WORKPODS, OR  
MAX: 0.015 C - 2X ASTEROIDAL LANDERS, OR  
ENDURANCE: 3 MONTHS - 1X VENUSIAN LANDER, 1X WORKPOD

COMPLEMENT:  
CREW: 2  
RESIDENTS: +8



THE KORONIA (6000) & THE BIRDSEYE (4077), IN NASA AND ISA LIVERY, RESPECTIVELY.





## APHRODITE CLASS AUTHORIZED CONSTRUCTION

THE FOLLOWING SHIPS OF THE ABOVE CLASS WERE AUTHORIZED AS PART OF THE NATIONAL AERONAUTICS AND SPACE ADMINISTRATION BY U.S. CONGRESSIONAL APPROPRIATION.

ROSS	4000	FLORA	5011
APHRODITE	4011	EIRENE	5022
THALLO	4022	THEMIS	5033
PERDUE	4033	HUNGARIA	5044
PRAEGER	4044	EOS	5055
SWANSON	4055	DIKE	5066
EUNOMIA	4066	CARPO	5077
BIRDSEYE	4077	HYGIEA	5088
ENOMIA	4088	AUXO	5099
WANCHAI	4099	KORONIA	6000
VESTA	5000	NYSA	6011

### GENERAL INFORMATION

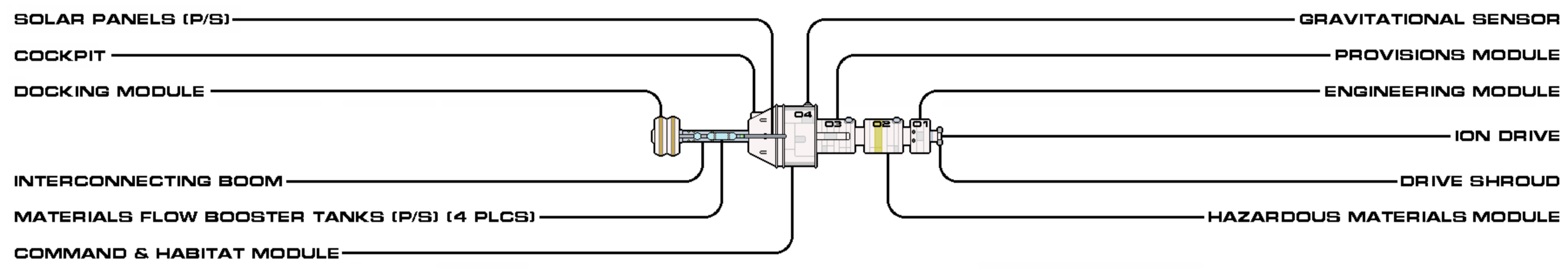
In 2001, the Earth was still recovering from the Eugenics Wars. While interplanetary travel was still possible with the handful of DY-100s present, there was no "deep space" support structure, nor any capacity for rescue, other than another DY-100, far and few between.

The conglomerate that made up Dinyan-Yoyodyne had collapsed, but some important subsidiaries had survived, often propped up by their host countries or collaborative partners. In the United States, NASA sought to develop and maintain a space support network to build on the Great Khanate's promise of the immense interplanetary economy, but was limited by the construction capacity of its domestic commercial partners. Orbital shuttles and post-Apollo capsules had no chance to provide the type of support necessary for any of these future outposts. In order to start building the network, it had to wrangle its contractors into building a long-term hull with the capacity to getting itself to station.

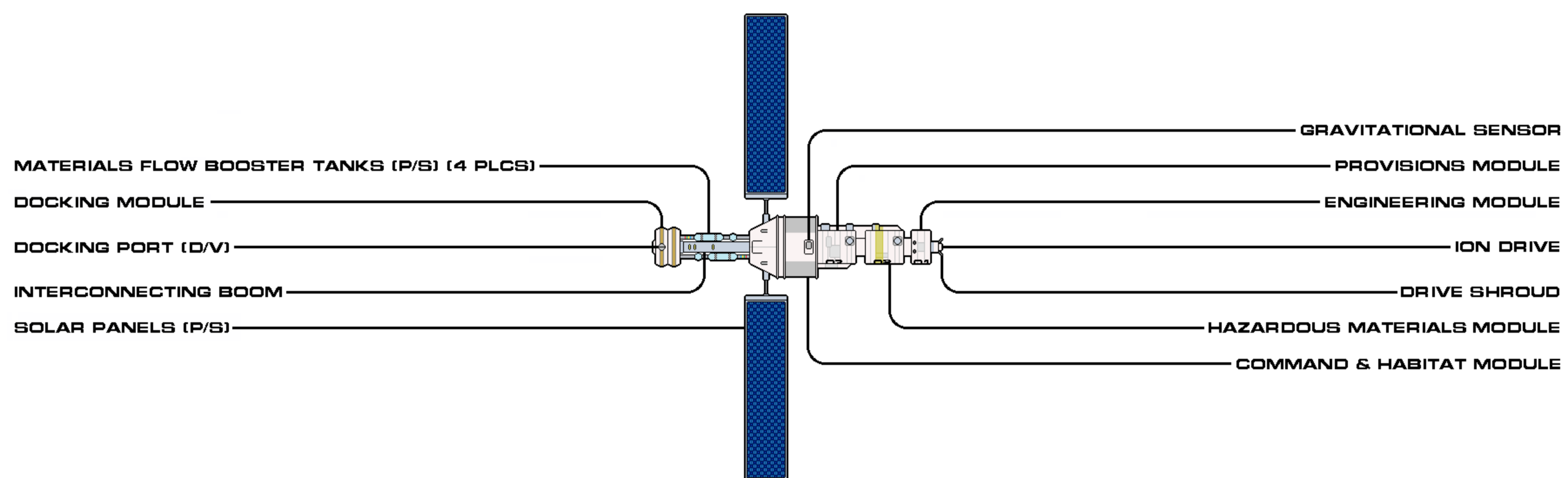
The key was the ion drive. NASA contracted South Korean-based Yoyodyne Propulsion Systems (YPS) to continue producing their proprietary ion thrust engine. One engine mounted on a reinforced pre-Khanate style hull, comprised of five inhabited modules and totaling 680 metric tons, enabled the craft to achieve a sustained maximum thrust of 0.015 c. NASA built 22 of these vessels, over a fifteen-year period, to serve first as units for non-orbital static tests and then as exploratory vessels that would transition to support waystations at the selected locations. The four inhabited modules provided far more life support—including oxygen, stored foodstuffs, medical, power, and other sundries—than necessary for the two-person vessel crew, but this was a reflection on its secondary mission as a waystation. The fifth unnumbered module located at the bow housed the docking ports for the ship's two work pods (or landers for asteroid or Venus surface missions), each of which also served as the transfer lock for the tri-monthly supply vessels. The module itself had extensive maintenance capacity for the assigned auxiliaries.

The first static tests conducted were to prove the viability of maintaining a position in Earth's LaGrange points, the areas of gravitational equilibrium between Earth and Luna or Sol that allow a vessel (or other future asset) to maintain a constant and precise distance from a planetary body without concern for atmospheric interference nor altitude reburns. Six of the first ten Aphrodite vessels (all which were named for outstanding gravitational physicists of the time) transited to and took station at the more dependable points, collecting continual sensor readings of positional delta change, to best determine the viability of the future construction of long-term stations. Additional vessels were routed to Venus and the Main belt for exploration and the establishment of waypoints for future vessels (Mars was excluded for safety concerns regarding the Augments, a "boogeyman" that would persist for almost a decade).

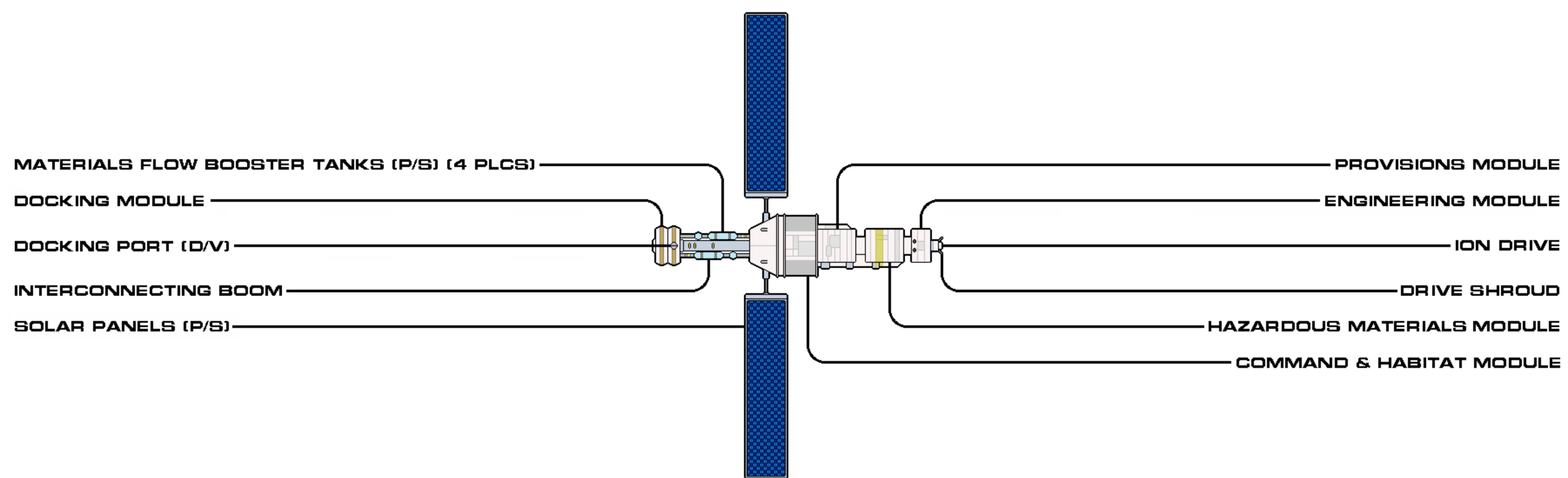
Starting in 2018, the Aphrodite series was gradually transitioned over to the control of the International Space Agency (ISA), an organization overseen by the New United Nations with a mandate to act as a conduit for peaceful and cooperative international space activities by the major space nations of Earth. (NASA was beginning to focus on grander national goals.) The ship/stations would be repositioned as directed over the next 3 decades, but were often outpaced by the second generation of interplanetary vessels that started arriving on the local scene in the 2020s and 2030s. The Aphrodites, however, were still viable and capable ships, so ISA had no problem selling them to tertiary commercial concerns that ranged from asteroidal miners and cryogenic laboratories to the extremely solitary lone billionaires. The extant records of the pre-World War III period record the last known position of an Aphrodite still in orbit of Venus in 2047.



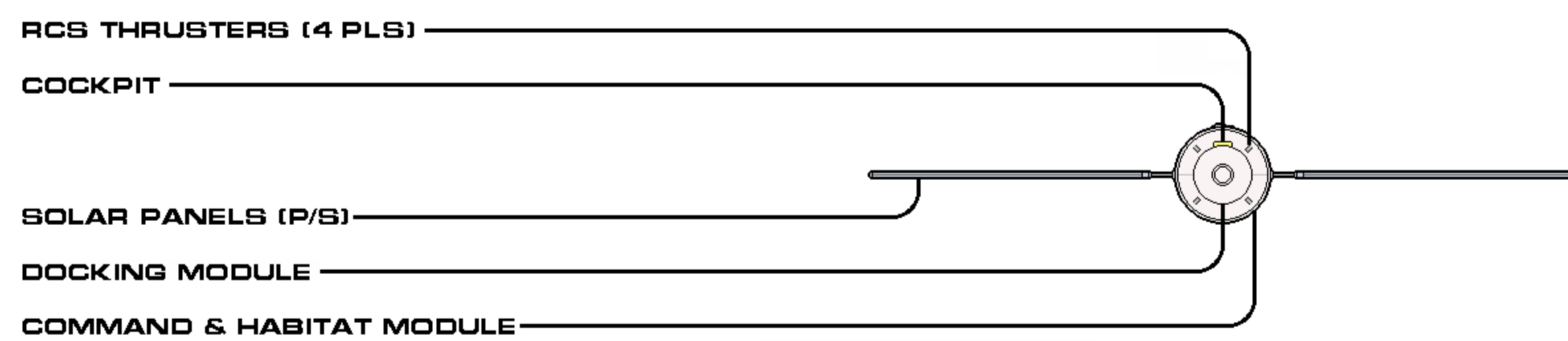
**PROFILE VIEW**



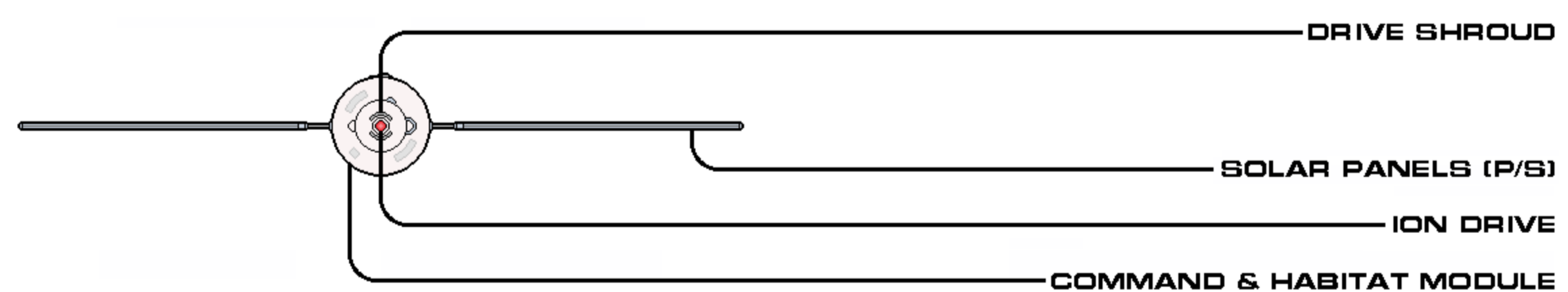
**DORSAL VIEW**



**VENTRAL VIEW**



**FORE VIEW**



**AFT VIEW**



SHEET 1 OF 1

CLASS	APHRODITE	CATEGORY	MISSION SPACECRAFT
VARIANT	N/A	CONSTRUCTED	2001
LENGTH	61.4 M	BEAM	98.2 M
HEIGHT	13.6 M	MASS	600 MT
OPERATIONAL	22	RELEASE DATE	0112.20

Authorized for release by Star Fleet Bureau of Starship Construction





## CLASS TIMELINE

1999

The Asteroid Belt Lander program confirms what Human space scientists have long suspected: the inner asteroid belt of the Sol system is rich in raw materials, making it a prime source for mining in the near future to fuel Earth's rapid space industrialization.

Construction begins on the first of the Aphrodite mission spacecraft for NASA.

2000

Lunar One Colony is founded on Luna.

Over this year and the next nine, 212 interplanetary and 51 interstellar probes are launched and 6 manned orbital platforms are assembled.

The Korean Peninsula Crisis: Famine and then a military coup results in great strife for North Korea. The United Nation responds, though with considerable resistance from China and Russia.

2001

Earth is still recovering from the Eugenics Wars.

In tremendous turmoil over the role of the United Nations in North Korea and being over-extended in humanitarian crises precipitated by the fall of the Great Khanate, the United Nation is suddenly disbanded.

The Aphrodite series mission spacecraft enters service with NASA.

The Mercury Rover successfully surveys a portion of the hottest planet in the Sol System.

The European Space Agency (ESA) launches its own space station, in order to better service the unique needs of the Common Market.

2002

South Korea alone assists the people of North Korea in recovery.

The United States of America and the European Union formalize an economic and defense relationship with what will be called the Western Alliance by media and opponents.

The Nomad MK-15c space probe, designed by cyberneticist Jackson Roykirk, is launched by NASA.

Construction of Farside Moonbase begins.

Loraxial Corporation is founded on Andor.

2011

The New United Nations convenes for the first time.

2014

The Lewis and Clark arrives at and studies Jupiter, with the first manned visit to the planet.

The New United Nations passes the Space Homestead Act, which opens the Sol system's

inner asteroid belt for colonization by anyone with the means to get there. This marks the beginning of the first great Space Land Rush.

The final Aphrodite mission spacecraft, Nysa (6011), is delivered to NASA.

2018

The NUN creates the International Space Agency (ISA), an effort intended to coordinate combined national space exploration and safe operation and transit of commercial vessels.

The Western Alliance turns over the Aventureur space missions to the ISA. The European Union turns over all European Space Agency operations to the ISA.

2019

On the 50th anniversary of Apollo 11, the New United Nations declares all seven Apollo landing sites as historic monuments.

2022

The subspace dimension is discovered, though as yet there is no means to tap its potential.

2024

Several European nations, including France, become politically destabilized.

The Bell Riots in the United States, the Neo-Trotsky Movement in Russia, a resurgent eugenics movement in Southeast Asia, and the Avignon Riots in France harken the destabilization.

Ireland is reunified by force.

2025

The Venus Terraforming Project begins.

2026

Factions of eco-terrorists launch attacks that are responsible for as many as 37 million deaths.

Astronomers detect a series of asteroids on a clear path for a near-Earth passage.

Multiple analysis of the threatening asteroids confirms a number of them will collide with the Earth over a period of three years (starting in 2031), threatening all life.

2029

Fusion power technology is achieved; work immediately begins to make it space-capable.

2030

The Ares I is Earth's first manned mission back to Mars, since the fall of the Great Khanate.

The first successful and controlled matter-antimatter energy conversion is tested under laboratory conditions.

2031

The Western Alliance, Pan-African Alliance, Muslim Bloc, and a mix of nations from the Far East and Middle East help divert the orbits of a number of asteroids due to impact the planet, threatening all life in Earth. The effort was



## CLASS TIMELINE

able to capture six of the fragments, eventually moving them to Earth's L-5 point, where they were eventually hollowed out and converted to O'Neil-style space habitats: Vanguard colony, Colony Roykirk, the Moss-Offenhouse colony, the NicholCorp facility, the Brynner Asteroid, and the Starling Habitat.

Shortly after Earth's cooperative success in defending the planet, most Asian, and many near-Asian, nations formalize their relationship into the Eastern Coalition.

The Ares II marks another return to Mars, to test the viability of equipment and structures for a permanent base.

2034

The L-5 O'Neil Support Station, Asgard, is completed and begins assisting in the development of the colonies within the captured asteroids.

2037

Following the lead of the Central African States, the nations in the northwestern part of the continent form the Northern African Alliance.

2039

The Lewis and Clark returns to Earth from the Aventure I mission. The evidence of extraterrestrial mining on Saturn's moons is released to select space-exploration nations.

2040

The Mediterranean Alliance forms.

The Vegan Tyranny is destroyed, resulting in the extinction of the Vegans.

2041

The United States begins assembly of a new Space Station Freedom, which will monitor near-space for threats to Earth (and the US) and will have construction berths.

2045

Analysis of interferometry telescoping and probe flybys confirm the existence of at least seven planets in the Alpha Centauri system, assuring the scientists that return propellant can be manufactured there, and hinting at the presence of carbon-based life on the third and fourth planets of the system.

Of the extrasolar systems visited by Earth probes, four (and the Alpha Centauri system) are chosen for manned exploration by the Columbus program.

The five Columbus series spacecraft are readied for xenosystem exploration.

A serious accident during the fueling of UNSS Columbus led to eight fatalities and damage to the spacecraft.

2046

The UN survey ships Nautilus, Hector, Prometheus, and Icarus boost from Earth orbit for Tau Ceti, Arcturus, Epsilon Indii, and Alpha Centauri A (respectively) all within three

months. UNSS Nautilus hits an object in the inner Oort cloud, resulting in complete destruction within days. The three remaining in-transit vessels are considered to be inevitable losses as communications with each is lost to ion storms.

US Strategic Command takes UNSS Columbus from NASA (though administered by the ISA) and begins adding armaments.

2047

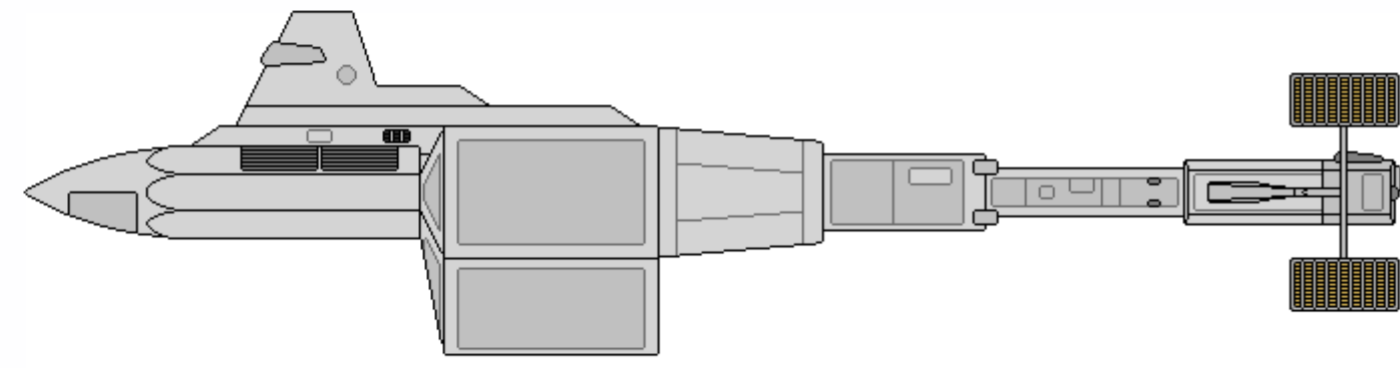
The last of the Aphrodite series mission spacecraft is recorded to be orbiting Venus.

After twenty-two years of hard work, the Venus Terraforming Project has progressed to the point where the first non-Augment manned base can be established at the planet's North Pole.

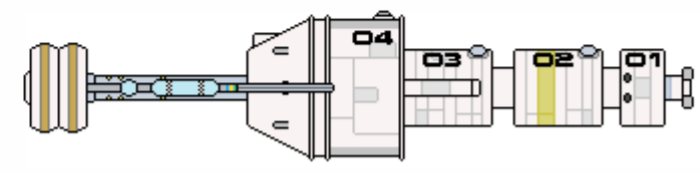




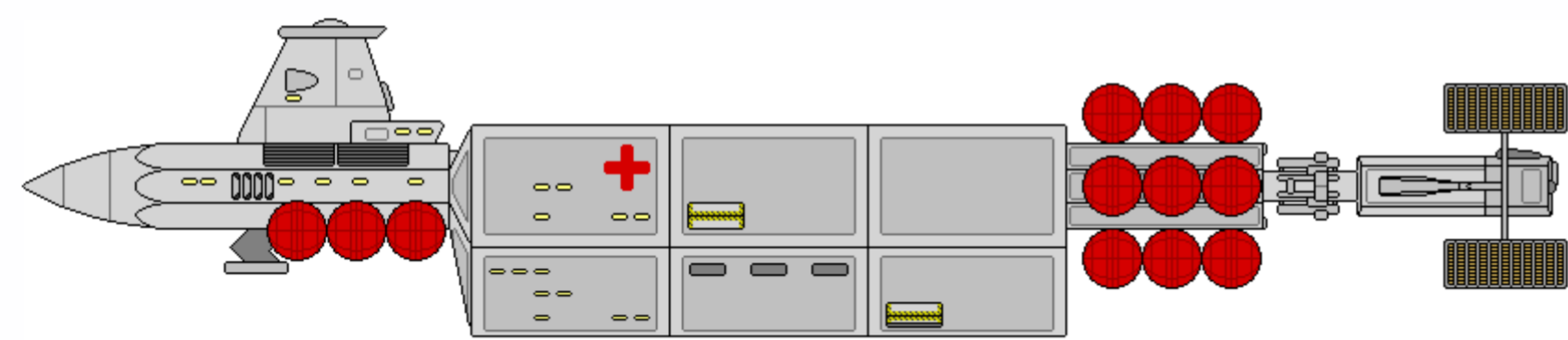
## STARSHIP COMPARISON GUIDE



DY-110 APEX  
MISSION SPACECRAFT (1991)



APHRODITE  
MISSION SPACECRAFT (2001)



DY-120 BRENTON  
MISSION SPACECRAFT (2023)



## GLOSSARY

**Array:** Generally, a combination of identical sensors, weapons, or other equipment operating in conjunction.

**Augment:** A type of Human genetically modified before birth (originally) in the mid-20th century.

**Auxiliary:** a common name for small craft embarked aboard and utilized by starships for various tasks. Craft types include work pod, shuttlepod, shuttle, plus various tactical craft and other special-purpose craft.

**C/P/S:** Centerline/Port/Starboard (see P/S).

**China:** On Earth, a powerful pre-Unification state; joined the Eastern Coalition (ECON) in 2031, and formally absorbed in 2055.

**CNSA:** China National Space Administration, the official launch agency for the pre-Unification state of China on Earth.

**Corvette:** Small warp-capable ship dedicated to local patrol, law enforcement and community service missions. Sometimes landing-capable, not dependent on starbase facilities for support.

**Cruiser:** A medium multi-purpose starship. The largest exploration vessels until the early 24th century, when relegated to other duties with the introduction of large Explorer starships.

**Deep space:** The region near or beyond the recognized borders of the Federation, often uncharted in any considerable detail.

**Deimos:** one of two natural satellites of the planet Mars.

**Delhi:** a territory of the pre-Unification state of India on Earth.

**Destroyer:** A medium offense starship intended for destroying enemy capital ships and installations, as well as conducting fleet escorts.

**D-Y:** Dinyan-Yoyodyne Conglomerate, a pre-Eugenics War technology and industry sector corporation on Earth that served as the Great Khanate's agent in plans for planetary domination. Collapsed into smaller, disparate companies in 1996.

**EC:** Eurasian Confederation, a large pre-Unification nation-state on Earth, formed from the smaller states of Afghanistan, Kazakhstan, Kyrgyzstan, Mongolia, Russia, Tajikistan and Uzbekistan in 1996. It was absorbed into the Eastern Coalition (ECON) in 2031, formally so in 2055.

**ECS:** Earth Cargo Ship, a prefix for vessels flagged under the governing authority of the Earth Cargo Service.

**ECSA:** Eurasian Confederation Space Agency; formed in 1996 from the constituent agencies and absorbed into the ECSN in 2031.

**ECSN:** Eastern Coalition Space Navy; formed in 2031 from the alliance's constituent agencies.

**ELRS:** Extreme Long Range Sensor

**ESA:** European Space Agency, an intergovernmental space exploration organization of 22 European member states on pre-Unification Earth.

**Eugenics Wars:** a late 20th century global conflict on Earth in which the Augments established themselves as super men and attempted world domination.

**Flight:** A modification to a class of ship intended to be incorporated by most or all members of that class.

**Frigate:** Until the late 22nd century, a dedicated medium defense and escort starship, larger than corvette but smaller than destroyer, often capable of trans-atmospheric operations. In the 23rd century and into the early 24th century, often used to designate defense and escort starships ranging from small patrol and escort ships typically lacking torpedo armament to versatile multipurpose ships similar to light cruisers.

**FTL:** Faster Than Light

**Great Khanate:** an historical designation for the tight but self-contentious organization of Augments that sought to dominate Earth in the late 20th century, culminating in their defeat in the Eugenics Wars.



## GLOSSARY (CONTINUED)

GW: GigaWatt

HEO: High Earth Orbit; a geocentric orbit with an altitude higher than 35,800 kilometers. In the modern idiom, High Planetary Orbit (HPO) is above that of the geosynchronous orbital range, with orbital periods greater than that of the rotation of the planet in question.

India: an important pre-Unification state; subsumed into the Eastern Coalition (ECON) in 2055.

ISA: International Space Agency, a NUN agency on pre-Unification Earth, formed in 2018 and serving as a conduit for peaceful and cooperative space activities by the major space-capable nations, and later for most space activities of any entity, including corporations, organizations, and private individuals. Succeeded by both the UESPA and UESN in 2067 and 2069, respectively.

Ishakawa-Dell Barrier: The exponential growth in the power required by early warp nacelles as FTL speeds approached warp factor 6 (on the OCU scale).

ISRO: Indian Space Research Organization, the national space agency for the pre-Unification state of India on Earth.

KARI: Korea Aerospace Research Institute, the national space agency for the pre-Unification state of South Korea on Earth; transitioned into the ARKS in 2003.

Korea: formally the Royal Republic of Korea on Earth, a 2003 (pre-Unification) merger of the prominent nation of South Korea and the xenophobic and developmentally-devastated state of North Korea.

Laser: Typically, a secondary weapon on early space vessels. Current shielding technology has largely negated the threat posed by the coherent electromagnetic beam.

LEO: Low Earth Orbit; an altitude of 2,000 kilometers or less. In the modern idiom, Low Planetary Orbit (LPO) is approximately one-third or less of the radius of the planet in question.

Lunar: of or relating to Luna (see Moon).

M: Meters

Main Belt: the designation for the Sol system's major asteroid belt.

M/AM: Matter / Antimatter

Mars: the fourth planet in the Sol system.

Moon: the pre-modern name for Luna, the sole natural satellite of Earth.

MT: Metric Tons

NASA: National Aeronautics and Space Administration, an independent agency of the United States government responsible for the civilian space program, as well as aeronautics and space research.

Navigation Light: Yellow in color, these lights are generally located on or near major points of superstructure of a space vessel. They often provide low-emission positioning signals for specific locations on and within the vessel for the purposes of proximity maneuvering by another vessel and relative destination positions for transporters. Not to be confused with red or green running lights.

NCC: Letter prefix in UFP Starfleet vessel registries, anecdotally said to come from the term Naval Construction Contract. Current usage has letter N signifying UFP registry, and CC signifying active Star Fleet forces.

Nearspace: The region of the Federation considered to be internal, fully charted, and uncontested.

NUN: New United Nations. Formed in 2011, first dissolved in 2053 (during the Third World War), re-formed in 2065 (two years following First Contact), then finally dissolved in 2079. Authorized the formation of the ISA (2018), UESPA (2067), UEDP and UESN (both 2069). Succeeded by the UEDP.

Oceania: On Earth, a distinct geographic region spanning the eastern and western hemispheres of the northern and southern Pacific Ocean.



## GLOSSARY (CONTINUED)

OCU: Original Cochrane Units, representing the original warp scale, where the warp factor cubed was the velocity in  $c$ , the speed of light.

P/S: Port/Starboard; left & right side, respectively, in naval parlance.

Particle Cannon: A primary or secondary weapon on some early space vessels, though generally replaced by phaser technology. The weapon accelerated charged or neutral matter (or antimatter) particles to relativistic speeds. Also commonly known as phase cannons.

Phase Cannon: (see Particle Cannon)

Phaser: A directed-energy/particle weapon in common use aboard Star Fleet vessels, as well as other UFP and foreign fleets. Based upon rapid nadiion effect, it generates a wide-band particle beam utilizing both electromagnetic and subspace components.

Phobos: one of two natural satellites of the planet Mars.

Plasma Cannon: A projectile weapon in common use aboard early space vessels. A sublight weapon, the cannon generates, contains, and directs the release of ionized matter. The weapon is often complemented by particle and/or laser weapon systems.

RCS: reaction control system; a spacecraft system that uses thrusters to provide attitude and station-keeping control (and sometimes propulsion).

RRKS: Royal Republic of Korea Spaceforce, the new nation's space and regulatory agency. Merged with other international agencies to form the ECSN in 2031.

Running Light: Red (port/left) and green (starboard/right) lights traditionally denoting the observed side of a water vessel under low light conditions. Utilized for similar purposes by space vessels of the UFP, though generally for rapid orientation by the pilots/helms of other vessels maneuvering in close proximity. Not to be confused with yellow navigation lights.

Russia: an important pre-Unification state on Earth; it merged with six other states in 1996 to form the Eurasian Confederation (EC).

Scout: A small to medium, fast research and/or reconnaissance space vessel, equipped with extensive sensor and research equipment. Though protected by defensive energy weapons, most substitute probe launchers for torpedoes.

Shuttle: An auxiliary craft usually carried by larger vessels for orbit-to-ground transportation or detached operations. Also used for starbase liaison duties.

Shuttlepod: Very small auxiliary craft used for ship-to-ship or orbit-to-ground transportation, free-space maintenance, and repair work, and detached operations of a very limited nature. Usually not equipped with a warp drive.

South Korea: an important pre-Unification state on Earth; it merged with the smaller, xenophobic and developmentally-devastated state of North Korea to form the Royal Republic of Korea in 2003.

South Pacific Ocean Uninhabited Area: a spacecraft "cemetery" on Earth, a target in pre-Unification times for spacecraft that had reached the end of usefulness and destroyed by de-orbiting.

Star Fleet: The primary exploration and defense organization of the UFP. Formed in 2161 to protect the integrity of the Federation and the safety of its members and to expand the knowledge of the member cultures.

Starfleet: Short-hand name for the United Earth Starfleet (UESF), the primary exploration and defense organization of United Earth 2033-2161. Not to be confused with the UFP Star Fleet. Renamed Earth Fleet upon the formation of the United Federation of Planets.

STL: Slower Than Light (also known as sublight).

Subclass: A significant variant of a given class of ship, usually newbuilds, though sometimes including important modifications to existing ships, that are not intended to replace the existing ships of the original class. Often named for the first ship to reach that final intended production standard.

Tender: An auxiliary vessel specifically designed for deep space replenishment and support of starships and other vessels. While often equipped with a tractor device, the inability to efficiently tow another vessel in warp distinguishes the tender from a tug.





## GLOSSARY (CONTINUED)

TNG: Terrance-Neltorr Graduated scale where upon each full warp factor is achieved when a certain number of cochranes were met in output, resulting in more efficient engine plateaus. In this scale, Warp 10 is unattainable.

Torpedo: The general designation for warp-capable guided projectile weapons, in contrast to sublight-only guided missiles.

Transport: A Starship or other vessel dedicated to transporting passengers or cargo. They range in size from small two- or three-crew ships to huge starships and freighters.

Tug: 1) A warp-powered ship specifically designed to extend her warp field around objects that can thereafter be towed at warp speeds. Primarily used for the carriage of transport pods and towing of disabled starships or other equipment lacking appropriate motive capabilities. 2) A craft designed to propel ships or equipment lacking motive power about a limited area of operation, such as a space dock or construction site. May also refer to such a vessel intended to assist ships maneuvering within and in the vicinity of docking facilities.

TW: TerraWatt

Tyme Barrier: The exponential growth in the power required by early warp nacelles as FTL speeds approached warp factor 7 (on the OCU scale).

UEDP: United Earth Defense Pact. Formed by the NUN in 2069 to put the "Earth's ascendancy and safety ahead of national goals". Tasked with the combined command and control of the planet's various armed forces, it became the de facto world government upon the NUN's second dissolution in 2079, until superseded by the United Earth government in 2130.

UES: United Earth Ship. Ship prefix for the names of vessels of the UESN.

UESF: (see Starfleet)

UESN: United Earth Stellar Navy. Predecessor to the UESF. Formed under the authority of the United Earth Defense Pact in 2069.

UESPA: United Earth Space Probe Agency. Formed by the NUN in 2067, relieving the ISA of the coordination and development of human presence in interstellar space. Re-purposed as the exploration arm of the NUN in 2069.

UESS: United Earth Space Ship. Ship prefix for the names of vessels of the United Earth Starfleet.

UFP: United Federation of Planets. Formed in 2161 by a coalition of United Earth, the Andorian Empire, Tellar, Alpha Centauri, and the Confederacy of Vulcan, following the Romulan War.

UFP SF: (see Star Fleet)

United States: On Earth, a powerful pre-Unification nation. An original signatory to the *Traité d'Unification*, which established the United Earth government in 2130.

USAF: United States Air Force, the aerial and space warfare branch of the armed forces of the pre-Unification nation of the United States on Earth.

USS: UFP Star Fleet Starship. Ship prefix for the names of Star Fleet vessels, emblazoned on ship hulls (along with the ship's registry number). Commonly abbreviated as "United Starship" in verbal communication, although the expressions "United Spaceship" and "Federation Starship" are also frequently used.

Venus: the second planet in the Sol system.

Western Alliance: Originally a NATO agency to oversee the 2002 pre-Unification economic and defensive agreement between Earth's United States and European Union, it became a major force for the coordination response to the Swarm incident of 2026 and a competitor to the rival Eastern Coalition.

Work Pod: The general name for manned, sub-impulse craft used for construction, maintenance, repair, and other service tasks in space. A variety of external tools and modules are attached to the work pods to facilitate a multitude of tasks.

YPS: Yoyodyne Propulsion Systems, an offshoot and surviving entity of the post-Eugenics Wars Dinyan-Yoyodyne Conglomerate on Earth; most associated with the United States and Korean nations, as well as the Western Alliance.



Delta Dynamics appreciates the sponsorship of the following:



Dytallix Mining Company



Star Fleet Museum



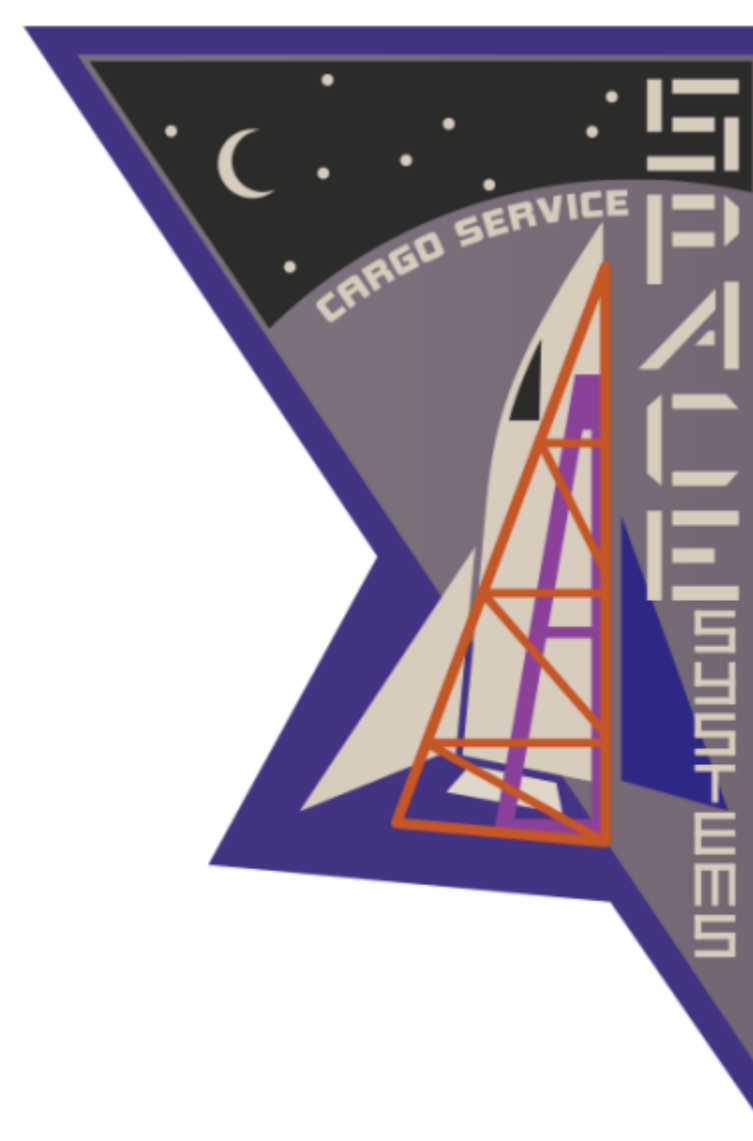
Technology Future Magazine



SafeTech Industries



Resorts of Risa



Space Systems Cargo Service



GNN News Service



Daystrom Institute

...and Members like you.



THE FOLLOWING ARE OTHER STARSHIP RECOGNITION MANUALS  
PUBLISHED BY DELTA DYNAMICS:

## **REPORTS**

- APHRODITE mission spacecraft
- AVENTEUR mission spacecraft
- BONAVENTURE survey cruiser
- BONAVENTURE dilithium power testbed
- BURKE frigates
- CAVALRY light destroyers
- CONSTITUTION heavy cruisers
- DURANCE cargo tugs
- DY sublight interplanetary transports
- HORIZON heavy cruisers
- SYRACUSE destroyers
- TRENT destroyers

