

05

JAYNZ SHIPS OF STAR FLEET

TERRANLGO LANGUAGE EDITION



AUTHORIZED PERSONNEL ONLY
SECURITY LEVEL TWO

**UNITED FEDERATION OF PLANETS
STAR FLEET DIVISION**



**JAYNZ' GUIDE
FEDERATION STARFLEET SERIES**

RS: 480372-5

THE REFERENCE REPORTS CONTAINED HEREIN ARE FOR THE FAMILIARIZATION OF STARFLEET ACADEMY MIDSHIPMEN AND ARE HARD FORMAT COMPILATIONS OF MATERIAL CONTAINED IN THE DATA FILES OF MASTERCOM, STAR FLEET HEADQUARTERS, SAN FRANCISCO, EARTH.

UNDER THE INTELLECTUAL PROPERTY LAWS OF THE UNITED FEDERATION OF PLANETS AND ITS MEMBERS, UNAUTHORIZED USE OR REPRODUCTION, IN WHOLE OR IN PART, OF THIS COMPILATION OR ANY SUBSEQUENTLY ISSUED, WITHOUT THE EXPRESS PERMISSION OF THE JUDGE ADVOCATE GENERAL OF STAR FLEET IS STRICTLY PROHIBITED.

TERRANGLO LANGUAGE EDITION

UPDATED AND APPROVED FOR TERRAN YEAR 2272



JAYNZ

FEDERATION STAR FLEET SERIES COMPILATION - 005

JAYNZ' GUIDE SERIES

THE JAYNZ'S GUIDE SERIES IS A HARD FORMAT COMPILATION OF FEDERATION TECHNICAL ORDERS, ARTICLES, AND OTHER WORKS ISSUED BY STAR FLEET COMMAND FOR USE IN THEIR TRAINING PROGRAMS. THE ARTICLES SO PUBLISHED IN JAYNZ' GUIDES ARE FOR FAMILIARIZATION PURPOSES AND ARE AVAILABLE TO TRAINEES, INSTRUCTORS, AND ENTHUSIASTS WITH APPROPRIATE SECURITY CLEARANCE.

ATTENTION: CERTAIN MATERIAL CONTAINED HEREIN IS CLASSIFIED AS SECURITY LEVEL TWO BY STAR FLEET COMMAND AND THE BUREAU OF INTELLIGENCE. UNAUTHORIZED USE OF SUCH MATERIAL IS PUNISHABLE BY COURT MARTIAL, IMPRISONMENT, OR OTHER MEASURES DEPENDING ON PLANETARY LAWS AS STIPULATED BY TREATY.

CHIEF EDITOR:

NEALE DAVIDSON, CIVILIAN ADVISOR, MASTERCOM
[WWW.PIXELSAGAS.COM]

ASSISTANCE:

STEPHEN CHARLES GREEN, CIVILIAN ADVISOR, MASTERCOM

MEMORY ALPHA AND STARFLEET MASTERCOM CATALOGING DATA:

UFP/SFD DTA RS:480372-1-REV 01

COPYRIGHT ©2006 NEALE DAVIDSON

MATERIAL HEREIN BASED ON MATERIAL WITHIN:

STAR TREK ©1966-1969 DESILU PRODUCTIONS INC. / ©1967-2006 PARAMOUNT PICTURES, INC. /
©2006 CBS STUDIOS, INC.

STAR TREK BLUEPRINTS ©1972 BALLANTINE BOOKS

STAR TREK TECHNICAL MANUAL ©1975 BALLANTINE BOOKS

MR SCOTT'S GUIDE TO THE ENTERPRISE ©1980-1987 POCKET BOOKS

STAR TREK SPACEFLIGHT CHRONOLOGY ©1980 POCKET BOOKS

STAR TREK: THE MOTION PICTURE:14 OFFICIAL BLUEPRINTS ©1980 WALLABY PRESS

FEDERATION REFERENCE SERIES [VOL. 1-6] ©1985 STAR FLEET PRINTING OFFICE

STAR TREK: THE ROLE PLAYING GAME, AND RELATED WORKS ©1982-1991 FASA, CORP.

STAR TREK: THE ROLE PLAYING GAME, AND RELATED WORKS ©1991-200X LAST UNICORN GAMES, INC.

STAR TREK: THE ROLE PLAYING GAME ©2002-2005 DECIPHER, INC, AND RELATED WORKS

STAR FLEET BATTLES AND RELATED WORKS ©2006 ARMARILLO DESIGN BUREAU

STAR TREK ENCYCLOPEDIA ©1994-1999 POCKET BOOKS

THIS DOCUMENT HAS BEEN ESTABLISHED FOR INFORMATIONAL AND ENTERTAINMENT PURPOSES ONLY. NO INFRINGEMENT OF COPY-
RIGHT OR TRADEMARK IS INTENDED.

SURVEYOR CLASS

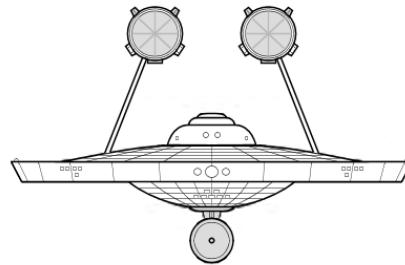
DERF CLASS STARSHIPS

GENERAL INFORMATION

AN EARLY 'COSNTITUTION' CLAS CONTEMPORARY, THE *DERF* FUNCTIONS PRIMARILY AS A LONG RANGE SURVEYOR, TASKED WITH DUTIES SUCH AS STELLAR CARTOGRAPHY, ESTABLISHING SUBSPACE RELAY COMMUNICATION LINES, AND PLANETARY/ RESOURCE MAPPING. SINCE MUCH OF THE DUTIES OF THE *DERF* INVOLVE MAINTENANCE, SHE'S OFTEN ERRONENOUSLY RE-FERRED TO AS A 'TENDER' CLASS.

AS SUCH, THE *DERF* CLASS IS LESS ABOUT 'EXPLORING THE UNKNOWN', BUT MORE ABOUT SECURING THE FEDERATION'S INFRASTRUCTURE ON THE FRONTIER. THE UNUSUALLY HEAVY DESIGN FOR A SHIP OF THIS TYPE IS DUE TO THE MULTIPLE TASKS REQUIRED AND OFTEN LONG-DURATION VOYAGES THAT THESE SHIPS ARE OFTEN ASSIGNED.

DERF CLASS - BOW VIEW



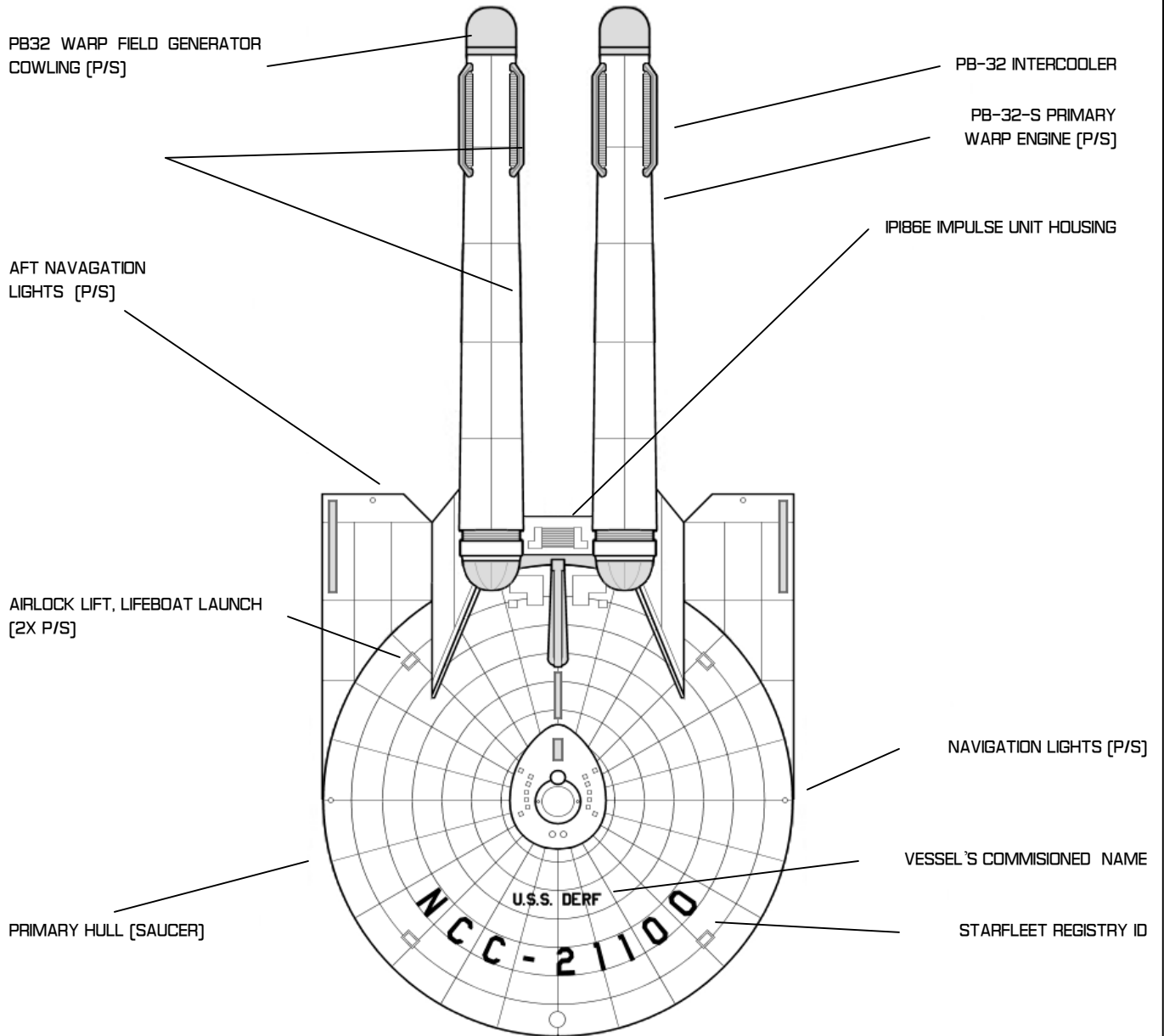
CONSTRUCTION DETAILS

CHIEF OF DESIGN	DANA KNUTSON
PRIMARY SHIPYARD	UTOPIA PLANETIA
PROJECT INITIATION	MAY 2258, SD 1313
VESSELS CONSTRUCTED	24

VESSEL NAME [MOST RECENT]	REGISTRY	STATUS AS OF SD 7411.3 [JANUARY 2272]
USS DERF	NCC-20100	CLASS SHIP; REFIT TO DERF [REFIT] CLASS IN 2272
USS ACROPOLIS	NCC-20101	DESTROYED
USS KERAMEIKOS	NCC-20102	INACTIVE/ UNDERGOING RECONSTRUCTION TO DERF [R] CLASS SPEC.
USS AMLEV	NCC-20103	INACTIVE/ UNDERGOING RECONSTRUCTION TO DERF [R] CLASS SPEC.
USS HEPHAISTAION	NCC-20104	INACTIVE/ UNDERGOING RECONSTRUCTION TO DERF [R] CLASS SPEC.
USS YBOOCS	NCC-20105	ACTIVE / STARFLEET COMMAND
USS ERECHTHEUM	NCC-20106	ACTIVE / STARFLEET COMMAND
USS KORE	NCC-20107	DECOMMISSIONED
USS PARTHENON	NCC-20108	ACTIVE / STARFLEET COMMAND
USS PLACA	NCC-20109	ACTIVE / STARFLEET COMMAND
USS YGGAHS	NCC-20110	ACTIVE / STARFLEET COMMAND
USS HERODES	NCC-20111	ACTIVE / STARFLEET COMMAND
USS ENHPAD	NCC-20112	ACTIVE / STARFLEET COMMAND
USS PROPYLAEA	NCC-20113	ACTIVE / STARFLEET COMMAND
USS PINAKOTHEKE	NCC-20114	DECOMMISSIONED
USS ATTALOS	NCC-20115	ACTIVE / STARFLEET COMMAND
USS THRASYLLOS	NCC-20116	ACTIVE / STARFLEET COMMAND
USS PHILOPAPPOS	NCC-20117	ACTIVE / STARFLEET COMMAND
USS PANATHENA	NCC-20118	INACTIVE/ UNDERGOING RECONSTRUCTION TO DERF [R] CLASS SPEC.
USS KALLIAKMANIS	NCC-20119	INACTIVE/ UNDERGOING RECONSTRUCTION TO DERF [R] CLASS SPEC.
USS COCLANUS	NCC-20120	ACTIVE / STARFLEET COMMAND
USS ANDREA	NCC-20121	ACTIVE / STARFLEET COMMAND
USS GRONHOLM	NCC-20122	ACTIVE / STARFLEET COMMAND
USS AURIOL	NCC-20123	ACTIVE / STARFLEET COMMAND

SURVEYOR CLASS

DERF CLASS STARSHIPS—DORSAL VIEW



UNITED FEDERATION OF PLANETS
STAR FLEET DIVISION

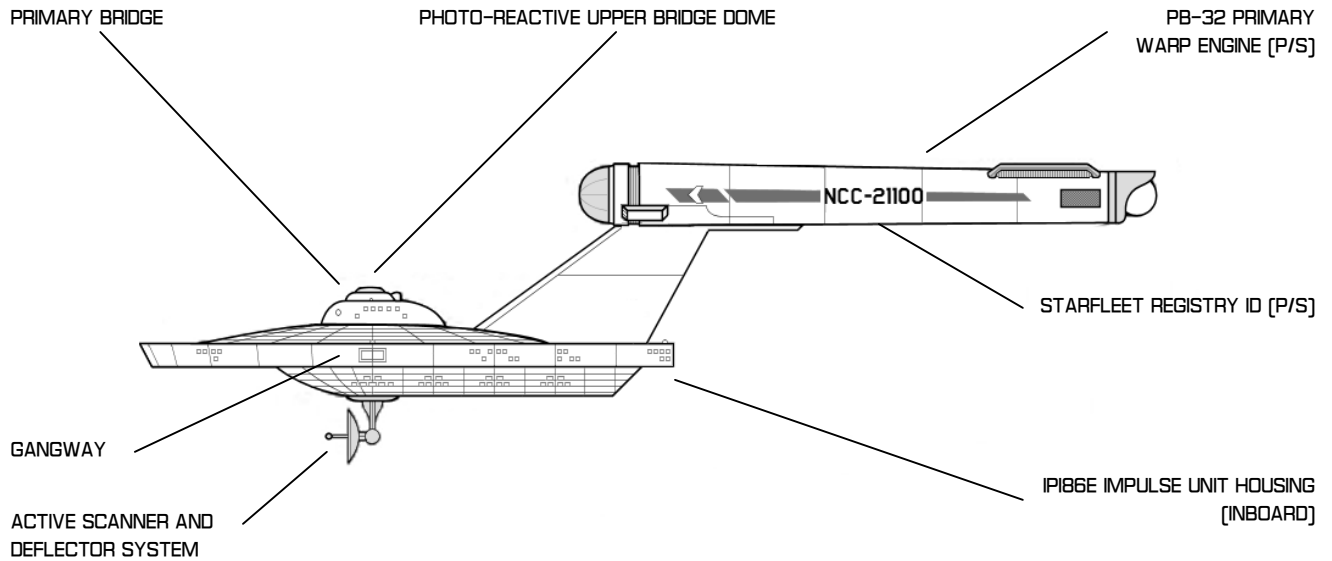
GENERAL PLANS/RECOGNITION DETAIL
SURVEYOR (SCA) / DERF CLASS

AUTHENTICATION NOTICE

CHIEF OF DESIGN	DANA KNUTSON
AUTHENTICATION APPROVAL	SD 240155
VERSION RELEASE	SD 741127

SURVEYOR CLASS

DERF CLASS STARSHIPS—DORSAL VIEW



UNITED FEDERATION OF PLANETS
STAR FLEET DIVISION

GENERAL PLANS/RECOGNITION DETAIL
SURVEYOR [SCA] / DERF CLASS

AUTHENTICATION NOTICE

CHIEF OF DESIGN	DANA KNUTSON
AUTHENTICATION APPROVAL	SD 2401.55
VERSION RELEASE	SD 7411.27



SURVEYOR CLASS

CLASS SPECIFICS

STANDARD COMPLEMENT		SUPPLEMENTAL CRAFT	
OFFICERS [COMMAND]	43	TYPE H TRAVEL POD	2
CREW	187	TYPE W "WORKBEE" POD	4
DIMENSIONS		SECONDARY SYSTEMS	
DEADWEIGHT TONNAGE	135,000MT	MAIN COMPUTER	DUOTRONIC MK II CU
LENGTH	287M	ACTIVE SCANNER SUITE	MK III LX HVY SENSORY SYSTEM
BREADTH	127M	PASSIVE SENSOR SUITE	MK III HVY SENSORY SYSTEM
HEIGHT	81M	TRANSPORTERS	2 STD / 2 EVAC / 2 CARGO
ARMAMENTS		LIFE SUPPORT	MK IV CT-3 SUITE
PHASERS	MK IV TWIN EMITTER [F]	MISSION PROFILE	
PHOTON TORPEDOES	NONE	MISSION TYPE	EXP/INFRASTRUCTURE, SCA
DEFENSE DEFLECTOR SHIELD	PFF2A	MAXIMUM OPERATING RANGE	9 YEARS AT LYV
PASSIVE DEFLECTOR	MK VI/AS		
TRACTOR BEAM EMITTER	MK IV SS MICRO-COMPRESSOR [A]		
PROPULSION SYSTEMS			
WARP/FTL DRIVE	PB-32 MK III—TANDEM [WF 6/8]		
IMPULSE/SL DRIVE	IP186E [.75C]		
RCS SYSTEM	CCR45C [500KPM]		

DECK ARRANGEMENT [GENERAL]	VESSEL SECTION	DECK SUMMARY
DECK ONE	FORWARD [SAUCER]	BRIDGE
DECK TWO	FORWARD [SAUCER]	SCIENCE LABS
DECK THREE	FORWARD [SAUCER]	PHOTON CONTROL,
DECK FOUR	FORWARD [SAUCER]	OFFICER'S QUARTERS
DECK FIVE	FORWARD [SAUCER]	OFFICER'S QUARTERS, PHASER CONTROL, PHASER BANKS [F/P, F/S]
DECK ONE	AFT [PYLON]	STORAGE, EMERGENCY PB-32 ACCESS
DECK TWO	AFT [PYLON]	PLASMA FLUSH, INTERMIX AND WARP CONTROL ROOMS
DECK THREE	AFT [PYLON]	AUXILLARY MACHINERY
DECK FOUR	AFT [PYLON]	AUXILLARY MACHINERY,
DECK FIVE	AFT [PYLON]	EMEGENCY SEAL AND SEPERATION, STORAGE
DECK SIX		CREW QUARTERS, ENGINEERING, IMPULSE REACTOR CONTROL
DECK SEVEN		CREW QUARTERS, AUX CONTROL, PERSONELL GANGWAY ACCESS
DECK EIGHT		TRAVEL PODS, PERSONNEL GANGWAY ACCESS, COMPUTER ARRAY
DECK NINE		FABRICATION FACILITIES, STORAGE
DECK TEN		RECREATION DECKS, STORAGE
DECK ELEVEN		PHASER COTNRDL, PHASER BANK [F], SENSOR AND SCANNER CONTROL

PROSPECTOR CLASS

CAPELLA CLASS STARSHIPS

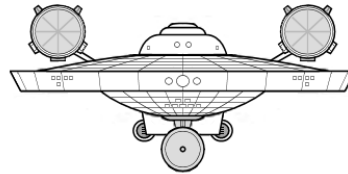
GENERAL INFORMATION

THE *CAPELLA*'S DESIGN BEGAN LIFE AS A LATE *BATON ROUGE* CONTEMPORARY BUT SAW A MAJOR REDESIGN SHORTLY BEFORE THE CLASS WAS TO BE LAUNCHED, OWING TO THE INNOVATIONS OF THE PB-32 WARP ENGINE. FORTUNATELY, THE SHIP WAS ABLE TO COME OUT ON SCHEULDE AND MUCH OF THE REDESIGN CONSISTED OF ACCOMMODATING THE NEW ENGINES AND NEW STANDARDIZED 'SAUCER' SECTION NOW FAMILIAR ON MANY STARSHIPS.

AS ENVISIONED, THE SHIPS WOULD CHART AND SCAN THE SYSTEMS WITHIN 'CLAIMED' FEDERATION AND EXPLORATION SPACE, LARGELY OUT OF REACH OF THE HOSTILE VESSELS. SINCE THAT TIME, THE *CAPELLA* CLASS CRAFT ALSO ENJOYED SUCCESS AS LONG-DURATION SCIENTIFIC VESSELS.

A *CAPELLA*'S SMALL CREWS ARE WELL EQUIPPED AND OFTEN MAY SPEND WEEKS OR MONTHS AWAY FROM A FACILITY AS THEY EMBARK ON THEIR PROSPECTING MISSIONS ON NEW FEDERATION-CLAIMED WORLDS.

CAPELLA CLASS - BOW VIEW



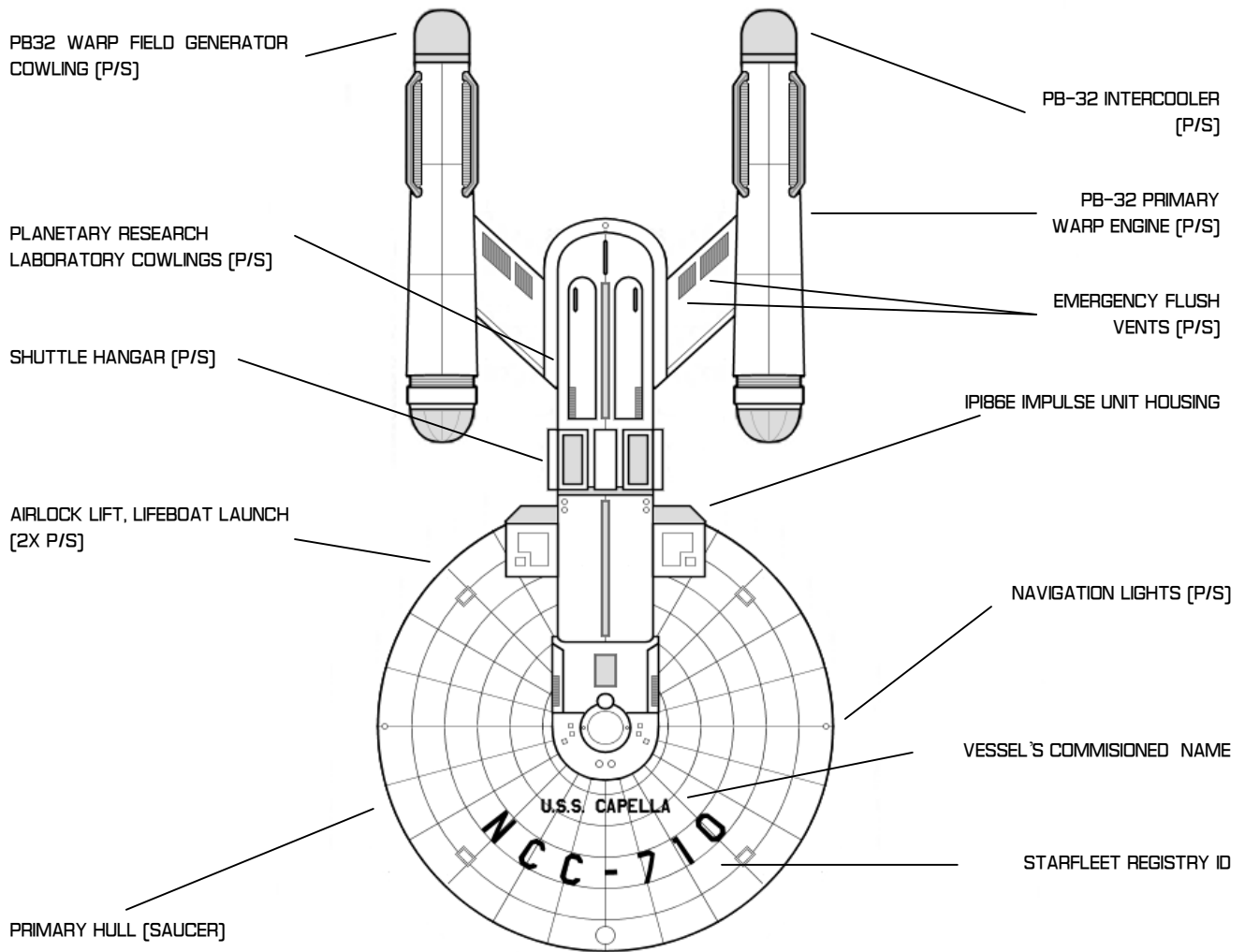
CONSTRUCTION DETAILS

CHIEF OF DESIGN	BRIAN PIMENTA
PRIMARY SHIPYARD	UTOPIA PLANETIA
PROJECT INITIATION	MAY 2258, SD 1313
VESSELS CONSTRUCTED	16

VESSEL NAME	REGISTRY	STATUS AS OF SD 7411.3 [JANUARY 2272]
USS CAPELLA	NCC-710	DECOMMISSIONED
USS ARGONNE	NCC-711	DECOMMISSIONED
USS ECHO	NCC-712	DECOMMISSIONED
USS LLOYDS	NCC-713	ACTIVE / STARFLEET COMMAND
USS OREGON	NCC-714	ACTIVE / STARFLEET COMMAND
USS ROEBUCK	NCC-715	DECOMMISSIONED
USS GLEANER	NCC-716	ACTIVE / STARFLEET COMMAND
USS ANTARES	NCC-717	DESTROYED
USS DARKHAK	NCC-718	ACTIVE / STARFLEET COMMAND
USS DOWDITCH	NCC-719	ACTIVE / STARFLEET COMMAND
USS DALS	NCC-720	ACTIVE / STARFLEET COMMAND
USS PARIZEAU	NCC-721	ACTIVE / STARFLEET COMMAND
USS FRIBERGA	NCC-722	ACTIVE / STARFLEET COMMAND
USS ABILITY	NCC-723	ACTIVE / STARFLEET COMMAND
USS MERCURY	NCC-724	ACTIVE / STARFLEET COMMAND
USS HASKINS	NAR-1324	DECOMMISSIONED

PROSPECTOR CLASS

CAPELLA CLASS STARSHIPS - DORSAL VIEW



UNITED FEDERATION OF PLANETS
STAR FLEET DIVISION

GENERAL PLANS/RECOGNITION DETAIL
PROSPECTOR [SCP] / CAPELLA CLASS

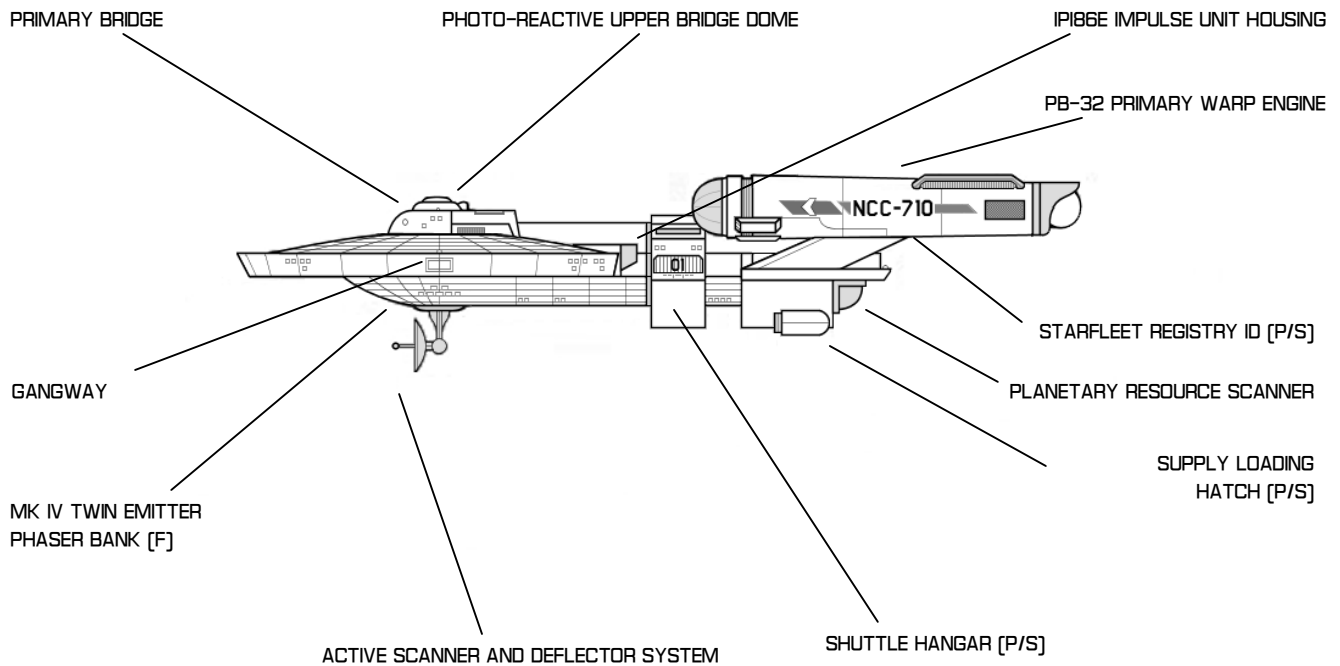
AUTHENTICATION NOTICE

CHIEF OF DESIGN
AUTHENTICATION APPROVAL
VERSION RELEASE

BRIAN PIMENTA
SD 240155
SD 741127

PROSPECTOR CLASS

CAPELLA CLASS STARSHIPS - PORT VIEW



UNITED FEDERATION OF PLANETS
STAR FLEET DIVISION

GENERAL PLANS/RECOGNITION DETAIL
PROSPECTOR (SCP) / CAPELLA CLASS

AUTHENTICATION NOTICE

CHIEF OF DESIGN	BRIAN PIMENTA
AUTHENTICATION APPROVAL	SD 240155
VERSION RELEASE	SD 7411.27



PROSPECTOR CLASS

CLASS SPECIFICS

STANDARD COMPLEMENT

OFFICERS [COMMAND] 10
 CREW 45

DIMENSIONS

DEADWEIGHT TONNAGE 89,000MT
 LENGTH 230 M
 BREADTH 110 M
 HEIGHT 54 M

ARMAMENTS

PHASERS MK IV TWIN EMITTER [F.]
 PHOTON TORPEDOES NONE
 DEFENSE DEFLECTOR SHIELD PFF2A
 PASSIVE DEFLECTOR MK VI/AS
 TRACTOR BEAM EMITTER MK IV SS MICRO-COMPRESSOR [A]

PROPULSION SYSTEMS

WARP/FTL DRIVE PB-32-S MK III—TANDEM [WF 5/7]
 IMPULSE/SL DRIVE IP186E [.75C]
 RCS SYSTEM CCR45C [500KPM]

SUPPLEMENTAL CRAFT

TYPE H TRAVEL POD 2
 TYPE F SHUTTLECRAFT 4
 TYPE 'W' WORKBEE POD 4

SECONDARY SYSTEMS

MAIN COMPUTER DUOTRONIC MK II CU
 ACTIVE SCANNER SUITE MK III LX HVY SENSORY SYSTEM
 PASSIVE SENSOR SUITE MK III HVY SENSORY SYSTEM
 TRANSPORTERS 2 STD / 2 EVAC / 2 CARGO
 LIFE SUPPORT MK IV CT-3 SUITE

MISSION PROFILE

MISSION TYPE PROSPECTOR, SCOUT, SCP
 MAXIMUM OPERATING RANGE 9 YEARS AT LYV

DECK ARRANGEMENT [GENERAL]

VESSEL SECTION

DECK SUMMARY

DECK ONE
 DECK TWO, THREE
 DECK FOUR, FIVE
 DECK SIX
 DECK SEVEN
 DECK EIGHT
 DECK NINE
 DECK TEN
 DECK ELEVEN

BRIDGE
 SCIENCE LABS
 ,OFFICER'S QUARTERS,,
 CREW QUARTERS, ENGINEERING, IMPULSE REACTOR CONTROL
 AUX CONTROL, PERSONELL GANGWAY ACCESS, SHUTTEBAY, SCIENCE LABS
 TRAVEL PODS, PERSONNEL GANGWAY ACCESS, COMPUTER ARRAY
 FABRICATION FACILITIES, STORAGE, PLANETARY SENSOR SYSTEM
 RECREATION DECKS, STORAGE, PLANETARY SENSOR SYSTEM
 PHASER COTNROL, PHASER BANK [F], SENSOR AND SCANNER CONTROL

AUTOMATED FREIGHTER

SHERMAN TYPE AUTOMATED VESSEL

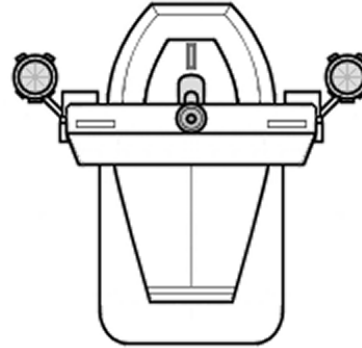
GENERAL INFORMATION

AS EXPECTED FROM A LARGELY AUTOMATED SHIP CLASS, THE SHERMAN IS AN AGING DESIGN. THIS DESIGN, HOWEVER, WAS CONSTRUCTED WITH HER EVENTUAL OBSOLENCE IN MIND. AS AN AUTOMATED FREIGHTER, THE *SHERMAN* CAN PERFORM ROUTINE, MUNDANE MISSIONS UNDER HER OWN PROGRAMMING, OR BE DIRECTED VIA SUBSPACE LINK FOR MORE HAZARDOUS DUTIES.

STARFLEET MAINTAINS A SMALL NUMBER OF THESE FREIGHTERS IN ACTIVE DUTY, LARGELY TO SERVE AND SUPPLY OUTPOSTS AND STARBASES. THE BULK OF THE SHIPS OF THIS TYPE ARE UNDER CIVILIANS ARRANGEMENTS OR SLATED AS RESERVES. THE SINGLE PHASER BANK FOUND ON THE STAR FLEET VERSION OF THIS SHIP IS NOT AVAILABLE ONLY THE CIVILIAN VERSION, AND IS DISABLED FOR ANY AUTOMATED USE.

THOUGH THE AGE OF THE *SHERMAN'S* ACTUAL DESIGN IS NOW WELL OVER, THE CLASS WILL LIKELY CONTINUE TO SEE SERVICE FOR A FEW DECADES TO COME, THOUGH INCREASINGLY IN 'AUTOMATED ONLY' ROLES. SURPRISINGLY, HOWEVER, A NEW VERSION OF THE DESIGN IS BEING CONSIDERED FOR PURELY CIVILIAN PURPOSES, BASED ON RECENTLY DECLASSIFIED FEDERATION TECHNOLOGY.

SHERMAN TYPE - BOW VIEW



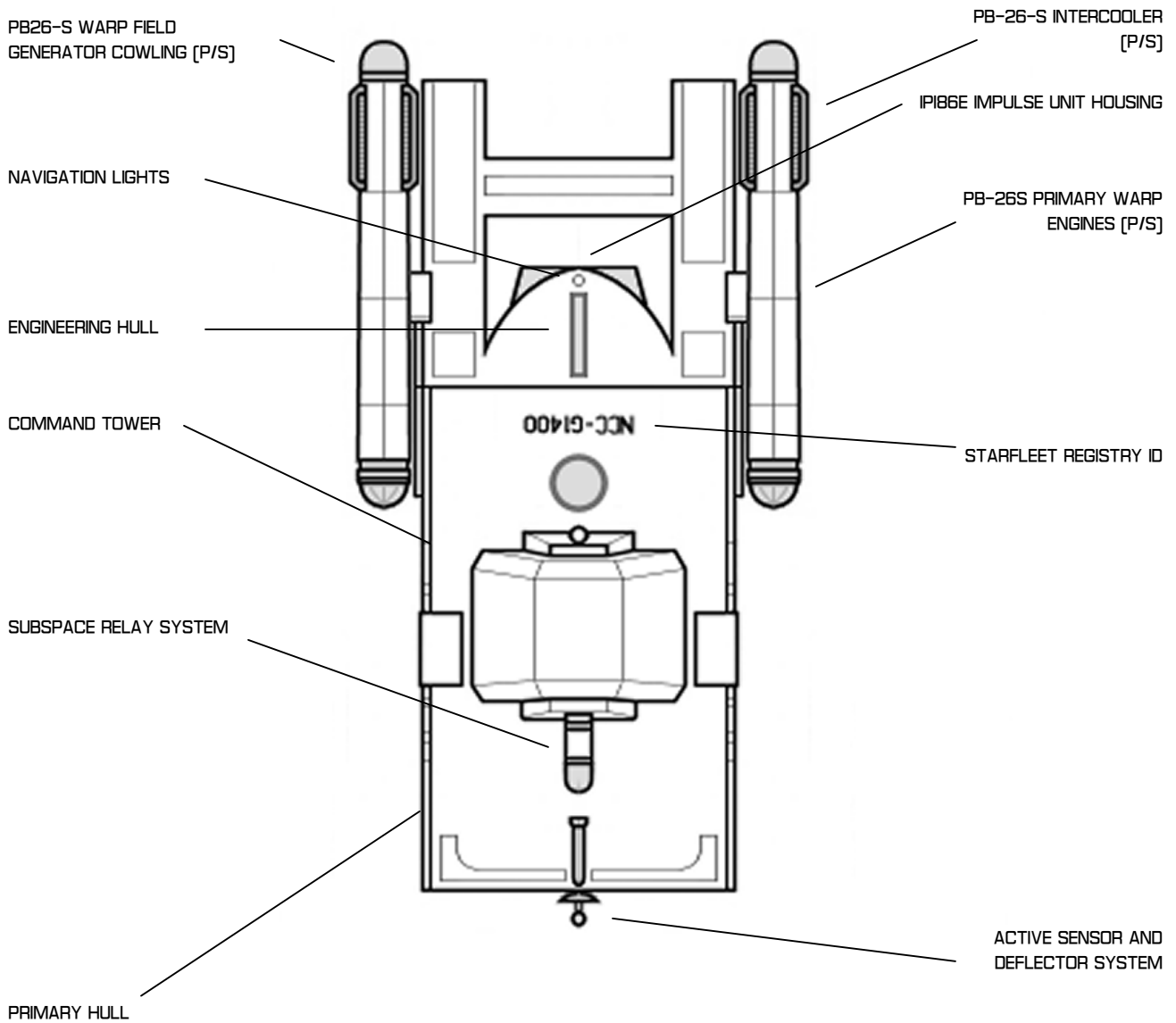
CONSTRUCTION DETAILS

CHIEF OF DESIGN	DON CHRISTIANSON
PRIMARY SHIPYARD	UTOPIA PLANETIA
PROJECT INITIATION	JULY 2245, SD 0965
VESSELS CONSTRUCTED	16

VESSEL NAME	REGISTRY	STATUS AS OF SD 7411.3 [JANUARY 2272]
USS SHERMAN	NCC-G-1400	CLASS SHIP, ACTIVE / STARFLEET TRANSPORT COMMAND
USS VON DRAKE	NCC-G-1401	ACTIVE / STARFLEET TRANSPORT COMMAND
USS PEABODY	NCC-G-1402	ACTIVE / STARFLEET TRANSPORT COMMAND
USS NELL	NCC-G-1403	ACTIVE / STARFLEET TRANSPORT COMMAND
USS DUDLEY	NCC-G-1404	ACTIVE / STARFLEET TRANSPORT COMMAND
USS YAMHILL	NCC-G-1405	ACTIVE / STARFLEET TRANSPORT COMMAND
USS SANDRA	NCC-G-1406	ACTIVE / STARFLEET TRANSPORT COMMAND
USS MAYAGUEZ	NCC-G-1407	ACTIVE / STARFLEET TRANSPORT COMMAND
USS GAMESA	NCC-G-1408	ACTIVE / STARFLEET TRANSPORT COMMAND
USS KHRON	NCC-G-1409	ACTIVE / STARFLEET TRANSPORT COMMAND
USS PUENTE CANARIO	NCC-G-1460	ACTIVE / STARFLEET TRANSPORT COMMAND
USS CAMPONALON	NCC-G-1461	ACTIVE / STARFLEET TRANSPORT COMMAND
USS ALECIA	NCC-G-1462	ACTIVE / STARFLEET TRANSPORT COMMAND
USS VICTORIA ELENA	NCC-G-1463	ACTIVE / STARFLEET TRANSPORT COMMAND
USS VILLA DE ORO	NCC-G-1464	DESTROYED
USS URLEA	NCC-G-1465	DESTROYED

AUTOMATED FREIGHTER

SHERMAN TYPE AUTOMATED VESSEL - DORSAL VIEW



UNITED FEDERATION OF PLANETS
STAR FLEET DIVISION

GENERAL PLANS/RECOGNITION DETAIL
AUTO. FREIGHTER [TTR] / SHERMAN TYPE

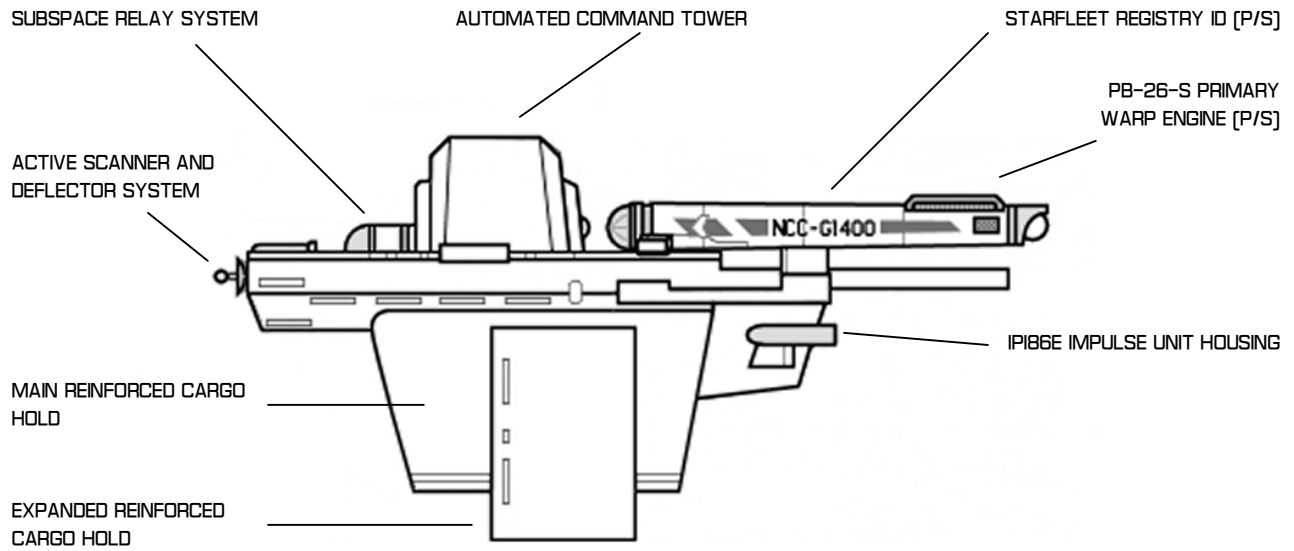
AUTHENTICATION NOTICE

CHIEF OF DESIGN
AUTHENTICATION APPROVAL
VERSION RELEASE

DON CHRISTIANSON
SD 2401.55
SD 7411.27

AUTOMATED FREIGHTER

SHERMAN TYPE AUTOMATED VESSEL - DORSAL VIEW



UNITED FEDERATION OF PLANETS
STAR FLEET DIVISION

GENERAL PLANS/RECOGNITION DETAIL
AUTO. FREIGHTER [TTR] / SHERMAN TYPE

AUTHENTICATION NOTICE

CHIEF OF DESIGN	DON CHRISTIANSON
AUTHENTICATION APPROVAL	SD 240155
VERSION RELEASE	SD 7411.27



AUTOMATED FREIGHTER

CLASS SPECIFICS

STANDARD COMPLEMENT

OFFICERS [COMMAND] 4 [WHEN NOT AUTOMATED]
 CREW 26 [WHEN NOT AUTOMATED]

DIMENSIONS

DEADWEIGHT TONNAGE 78,000MT
 LENGTH 113M
 BREADTH 52M
 HEIGHT 55M

ARMAMENTS

PHASERS MK IV TWIN EMITTER [F] [OPT]
 PHOTON TORPEDOES NONE
 DEFENSE DEFLECTOR SHIELD PFF2A
 PASSIVE DEFLECTOR MK VI/AS
 TRACTOR BEAM EMITTER MK IV SS MICRO-COMPRESSOR [A]

PROPULSION SYSTEMS

WARP/FTL DRIVE PB-26-S MK V—TANDEM [WF 5/6]
 IMPULSE/SL DRIVE IP186E [.75C]
 RCS SYSTEM CCR45C [500KPM]

SUPPLEMENTAL CRAFT

NONE 0

SECONDARY SYSTEMS

MAIN COMPUTER DUOTRONIC MK II CU [EXP]
 ACTIVE SCANNER SUITE MK III LX SENSORY SYSTEM
 PASSIVE SENSOR SUITE MK III SENSORY SYSTEM
 TRANSPORTERS 1 STD / 1 EVAC / 4 CARGO
 LIFE SUPPORT MK IV CT-3 SUITE

MISSION PROFILE

MISSION TYPE AUTOMATED TRANSPORT, TTR
 MAXIMUM OPERATING RANGE 20 YEARS AT LYV

DECK ARRANGEMENT [GENERAL]

VESSEL SECTION

DECK SUMMARY

DECK ONE
 DECK TWO
 DECK THREE, FOUR
 DECK FIVE
 DECK SIX, SEVEN
 DECK EIGHT
 DECK NINE THRU FOURTEEN

AUXILLARY MANUAL CONTROL
 AUTOMATION CONTROL, COMPUTER ARRAY
 OFFICER'S QUARTERS, CREW QUARTERS,
 SUBSPACE RELAY CONTROL
 SENSOR CONTROL, PHASER CONTROL [OPT], STORAGE
 ENGINEERING, IMPULSE REACTOR CONTROL
 MAIN AND SECONDARY CARGO HOLDS

ARMED FREIGHTER

INDEPENDENCE CLASS AUTOMATED VESSEL

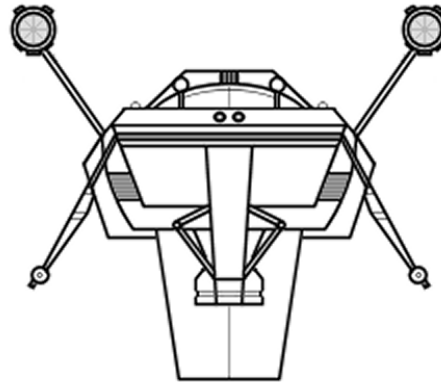
GENERAL INFORMATION

THOUGH THE FEDERATION AND KLINGON EMPIRE ARE UNDER TREATY TO AVOID OPEN WAREFARE, COLONIES AND OUTPOSTS WITHIN THE NEUTRAL ZONE ARE IN NEED OF CONSTANT SUPPLY AND ARE ALSO IN CONSTANT DANGER OF RAIDS. THE *INDEPENDENCE* CLASS ARMED FREIGHTER IS LARGELY USED TO FUFILL BOTH NEEDS IN AREAS KNOWN FOR HOSTILIEIS, WHERE IT'S NOT ADVISABLE FOR CIVILIAN SHIPS TO GO IN WITHOUT ESCORT.

THOUGH THE *INDEPENDENCE* IS, BY NO MEANS, A VESSEL MEANT FOR COMBAT, HER PHASER BANKS HAVE CAUSED MORE THAN ONE WOULD-BE RAIDER TO RECONSIDERED TARGETING THEM AS PREY. THOUGH NOT TRULY DESIGNED TO ACTUALLY WIN A CONFLICT, THE DESIGN IS FOR WITHSTANDING AN ATTACK LONG ENOUGH FOR HELP TO ARRIVE. AS SUCH, FOR A FREIGHTER, THE *INDEPENDENCE* CAN WITHSTAND A TREMENDOUS POUNDING.

THOUGH THE CLASS IS NEARING THE END OF ITS TECHNOLOGICAL HEY-DAY, IT REMAINS A FAVORITE WITHIN THE NEUTRAL ZONE AND LIKELY WON'T BE COMPLETELY PHASED OUT FOR A NUMBER OF YEARS, DESPITE 'REPLACEMENT' CLASSES ALREADY FIELDIED.

INDEPENDENCE TYPE - BOW VIEW



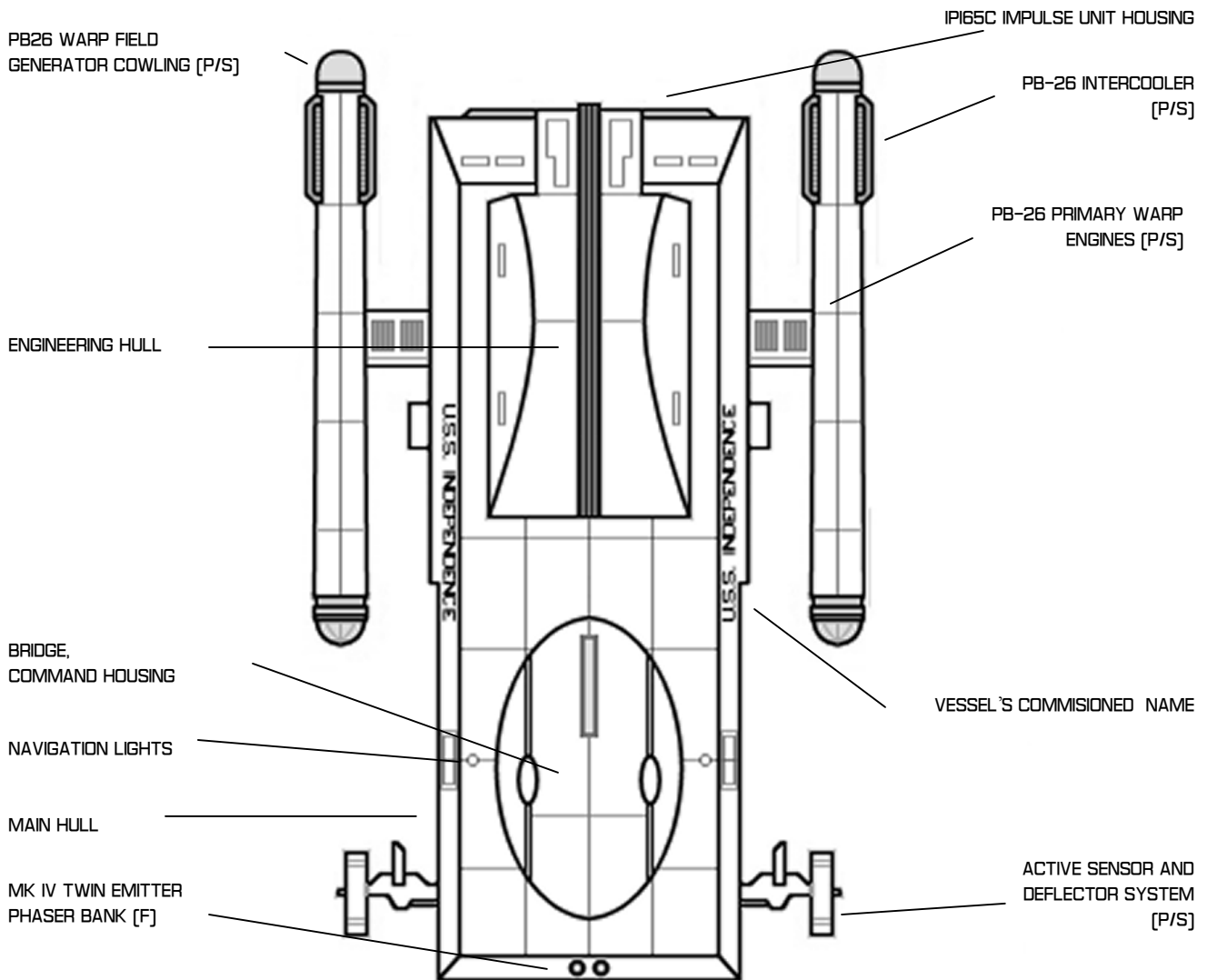
CONSTRUCTION DETAILS

CHIEF OF DESIGN	DON CHRISTIANSON
PRIMARY SHIPYARD	UTOPIA PLANETIA
PROJECT INITIATION	JULY 2245, SD 0965
VESSELS CONSTRUCTED	15

VESSEL NAME	REGISTRY	STATUS AS OF SD 7411.3 [JANURARY 2272]
USS SHERMAN	NCC-F-1900	CLASS SHIP, DECOMISSIONED
USS VON DRAKE	NCC-F-1901	DECOMISSIONED
USS PEABODY	NCC-F-1902	DECOMISSIONED
USS NELL	NCC-F-1903	ACTIVE / STARFLEET TRANSPORT COMMAND
USS DUDLEY	NCC-F-1904	ACTIVE / STARFLEET TRANSPORT COMMAND
USS YAMHILL	NCC-F-1905	ACTIVE / STARFLEET TRANSPORT COMMAND
USS SANDRA	NCC-F-1906	ACTIVE / STARFLEET TRANSPORT COMMAND
USS MAYAGUEZ	NCC-F-1907	ACTIVE / STARFLEET TRANSPORT COMMAND
USS GAMESA	NCC-F-1908	ACTIVE / STARFLEET TRANSPORT COMMAND
USS KHRON	NCC-F-1909	ACTIVE / STARFLEET TRANSPORT COMMAND
USS PUENTE CANARIO	NCC-F-1910	ACTIVE / STARFLEET TRANSPORT COMMAND
USS CAMPONALON	NCC-F-1911	ACTIVE / STARFLEET TRANSPORT COMMAND
USS ALECIA	NCC-F-1912	ACTIVE / STARFLEET TRANSPORT COMMAND
USS VICTORIA ELENA	NCC-F-1913	ACTIVE / STARFLEET TRANSPORT COMMAND
USS VILLA DE ORIO	NCC-F-1914	ACTIVE / STARFLEET TRANSPORT COMMAND

ARMED FREIGHTER CLASS

INDEPENDENCE CLASS STARSHIPS - DORSAL VIEW



UNITED FEDERATION OF PLANETS
STAR FLEET DIVISION

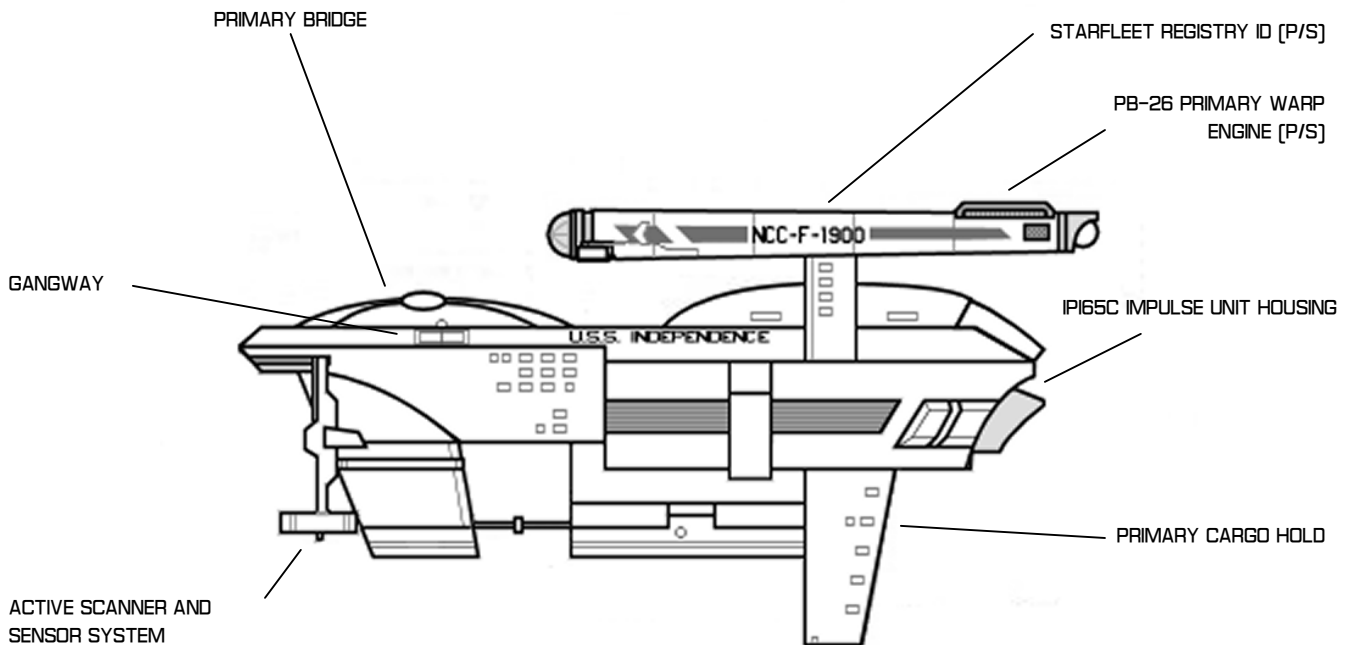
GENERAL PLANS/RECOGNITION DETAIL
ARMED FRIEGHTER [FT] / INDEPENDENCE CLASS

AUTHENTICATION NOTICE

CHIEF OF DESIGN	DON CHRISTIANSON
AUTHENTICATION APPROVAL	SD 240155
VERSION RELEASE	SD 741127

ARMED FREIGHTER CLASS

INDEPENDENCE CLASS STARSHIPS - DORSAL VIEW



UNITED FEDERATION OF PLANETS
STAR FLEET DIVISION

GENERAL PLANS/RECOGNITION DETAIL
ARMED FRIEGHTER [FT] / INDEPENDENCE CLASS

AUTHENTICATION NOTICE

CHIEF OF DESIGN	DON CHRISTIANSON
AUTHENTICATION APPROVAL	SD 240155
VERSION RELEASE	SD 7411.27



ARMED FREIGHTER CLASS

CLASS SPECIFICS

STANDARD COMPLEMENT		SUPPLEMENTAL CRAFT	
OFFICERS [COMMAND]	4	TYPE H TRAVEL POD	2
CREW	26		
DIMENSIONS		SECONDARY SYSTEMS	
DEADWEIGHT TONNAGE	85,000 MT	MAIN COMPUTER	DUOTRONIC MK II CU [EXP]
LENGTH	117M	ACTIVE SCANNER SUITE	MK III LX SENSORY SYSTEM
BREADTH	69M	PASSIVE SENSOR SUITE	MK III SENSORY SYSTEM
HEIGHT	60M	TRANSPORTERS	1 STD / 1 EVAC / 4 CARGO
		LIFE SUPPORT	MK IV CT-3 SUITE
ARMAMENTS		MISSION PROFILE	
PHASERS	MK IV TWIN EMITTER [F]	MISSION TYPE	TRANSPORT, FT
PHOTON TORPEDOES	NONE	MAXIMUM OPERATING RANGE	20 YEARS AT LYV
DEFENSE DEFLECTOR SHIELD	PFF2A		
PASSIVE DEFLECTOR	MK VI/AS		
TRACTOR BEAM EMITTER	MK IV SS MICRO-COMPRESSOR [A]		
PROPULSION SYSTEMS			
WARP/FTL DRIVE	PB-26 MK V—TANDEM [WF 6/7]		
IMPULSE/SL DRIVE	IPI65C [.50C]		
RCS SYSTEM	CCR45C [500KPM]		

DECK ARRANGEMENT [GENERAL]	VESSEL SECTION	DECK SUMMARY
DECK ONE	[FORWARD]	BRIDGE
DECK ONE	[AFT]	MAIN ENGINEERING
DECK TWO, THREE		GANGWAY, OFFICER'S QUARTERS, CREW QUARTERS, PHASER CONTROL
DECK FOUR, FIVE		MAINTENANCE, TRANSPORTER ROOMS, SHIP'S STORES, CARGO HOLD
DECK SIX THRU EIGHT		MAIN AND SECONDARY CARGO HOLDS
DECK NINE THRU FOURTEEN		SENSOR SYSTEM, SECONDARY CARGO HOLDS

COLONY TRANSPORT CLASS

EDWARD CLASS STARSHIPS

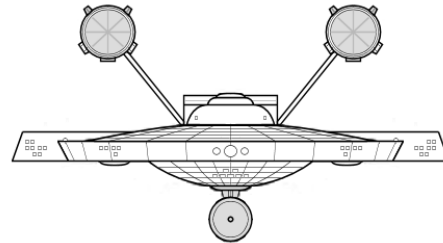
GENERAL INFORMATION

A MASSIVE SERIES OF SHIPS DESIGNED TO TRANSPORT ENTIRE COLONIES OF 5,000 PEOPLE TO THEIR DESTINATION WORLDS. PRODUCED IN RAPID SUCCESSION IN THE 2260'S, THE *EDWARD* CLASS WAS MEANT TO EXPAND THE FEDERATION'S INFLUENCE IMMEDIATELY ONTO NEWLY-CLAIMED WORLDS, AS WELL AS GIVE THE MORE CROWDED POPULATIONS OF THE HOME WORLDS SOME MUCH-NEEDED BREATHING ROOM.

THE *EDWARD* MAKES USE OF MUCH OF THE INNOVATIONS OF THE *CONSTITUTION* CLASS, INCLUDING THE POWERFUL PB-32 ENGINES AND BASIC STRUCTURE DESIGN. AS A RESULT, THE SHIP IS STURDY AND WELL SUITED FOR ITS LONG-DISTANCE MISSIONS. IT IS NOT, HOWEVER, A COMBATANT, AND IS COMPLETELY UNARMED. AS A RESULT, EDWARD CLASS SHIPS ARE OFTEN ESCORTED IF THERE'S THE SLIGHTEST POSSIBILITY OF DANGER.

AS THE 2270'S BEGIN, THE FEDERATION'S EFFORTS ON BUILDING OUT ITS INFRASTRUCTURE TO NEW WORLDS CONTINUE. WHILE NO MORE SHIPS OF THE *EDWARD* CLASS HAVE BEEN ORDERED, IT'S BELIEVED THAT THOSE WHICH REMAIN WILL CONTINUE IN SERVICE, DUE TO HIGH DEMAND, FOR QUITE SOME TIME IN THE FUTURE.

EDWARD CLASS - BOW VIEW



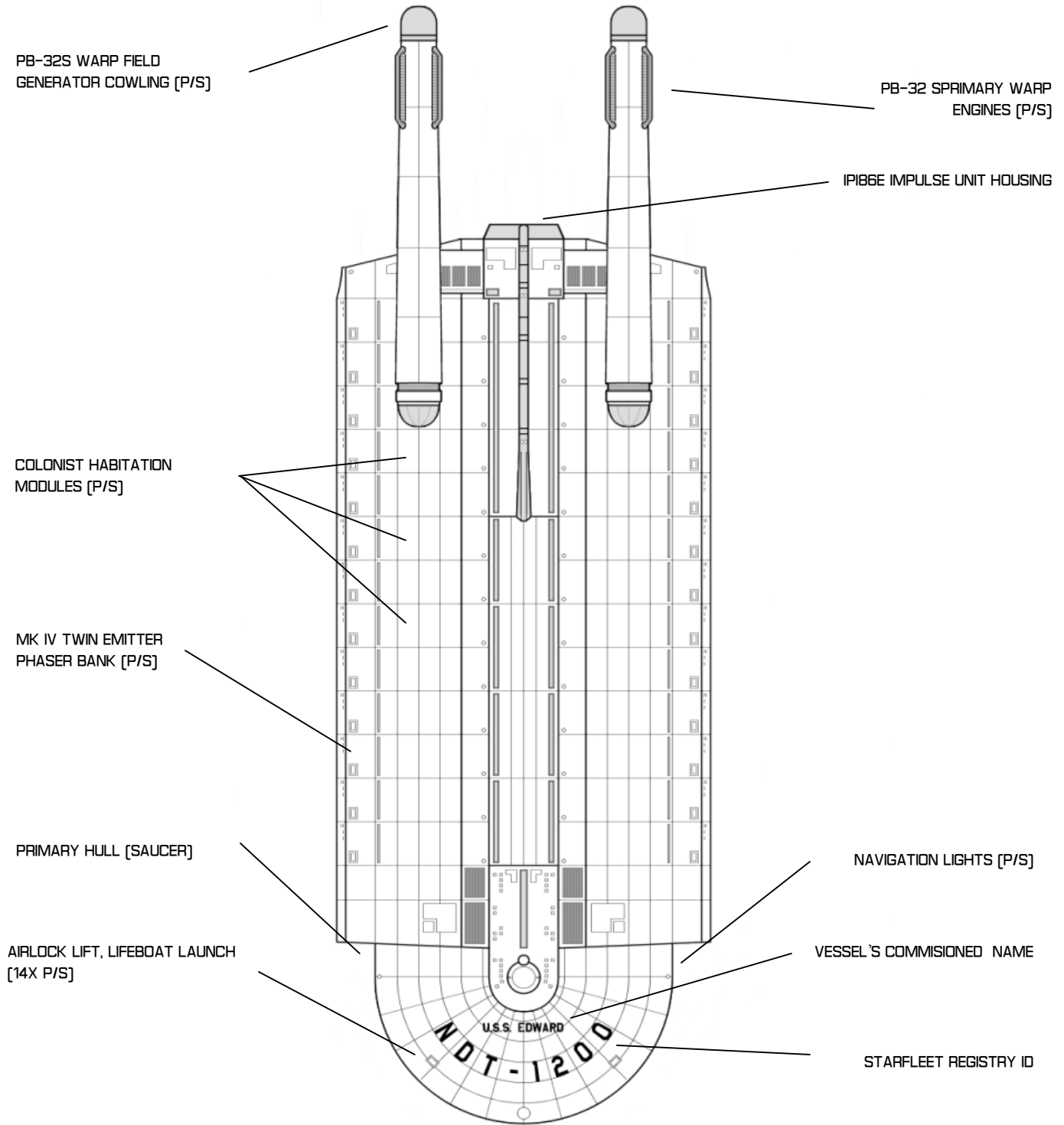
CONSTRUCTION DETAILS

CHIEF OF DESIGN	RIMA LITONJUA
PRIMARY SHIPYARD	SAN FRANCISCO ORBITAL
PROJECT INITIATION	MARCH 2264, SD 3220
VESSELS CONSTRUCTED	25

VESSEL NAME	REGISTRY	STATUS AS OF SD 7411.3 (JANUARY 2272)
USS EDWARD	NDT-1200	CLASS SHIP, ACTIVE / STARFLEET COMMAND
USS EDMUND	NDT-1201	ACTIVE / STARFLEET COMMAND
USS ELIZABETH	NDT-1202	DECOMMISSIONED
USS CHARLES	NDT-1203	ACTIVE / STARFLEET COMMAND
USS RICHARD	NDT-1204	ACTIVE / STARFLEET COMMAND
USS DARLING	NDT-1205	ACTIVE / STARFLEET COMMAND
USS GEORGE	NDT-1206	ACTIVE / STARFLEET COMMAND
USS PERCY	NDT-1207	ACTIVE / STARFLEET COMMAND
USS HENRY	NDT-1208	ACTIVE / STARFLEET COMMAND
USS HARRY	NDT-1209	ACTIVE / STARFLEET COMMAND
USS DOUGAL	NDT-1210	DECOMMISSIONED
USS MELCHETT	NDT-1211	ACTIVE / STARFLEET COMMAND
USS FLASHHEART	NDT-1212	ACTIVE / STARFLEET COMMAND
USS AMY	NDT-1213	ACTIVE / STARFLEET COMMAND
USS WALTER	NDT-1214	ACTIVE / STARFLEET COMMAND
USS KEANRICK	NDT-1215	ACTIVE / STARFLEET COMMAND
USS MOSSOP	NDT-1216	ACTIVE / STARFLEET COMMAND
USS KATE	NDT-1217	ACTIVE / STARFLEET COMMAND
USS PITT	NDT-1218	ACTIVE / STARFLEET COMMAND
USS SMEDLEY	NDT-1219	ACTIVE / STARFLEET COMMAND
USS TOPPER	NDT-1220	ACTIVE / STARFLEET COMMAND
USS LUDWIG	NDT-1221	ACTIVE / STARFLEET COMMAND
USS BERNARD	NDT-1222	ACTIVE / STARFLEET COMMAND
USS FARROW	NDT-1223	DESTROYED
USS BALDRICK	NDT-1224	SCRAPPED

COLONY TRANSPORT CLASS

EDWARD CLASS STARSHIPS - DORSAL VIEW



UNITED FEDERATION OF PLANETS
STAR FLEET DIVISION

GENERAL PLANS/RECOGNITION DETAIL
COLONY TRANSPORT [TTC] / EDWARD CLASS

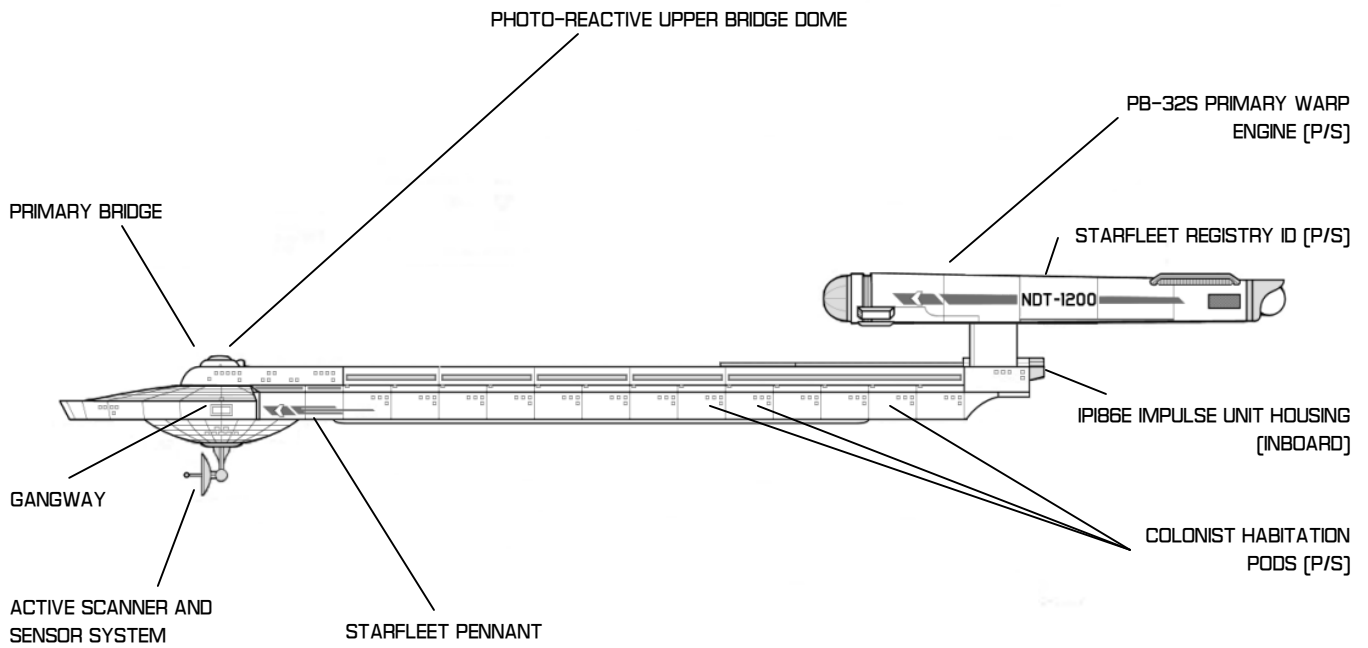
AUTHENTICATION NOTICE

CHIEF OF DESIGN
AUTHENTICATION APPROVAL
VERSION RELEASE

RIMA LITONJUA
SD 4840.55
SD 741127

COLONY TRANSPORT CLASS

EDWARD CLASS STARSHIPS - PORT VIEW



UNITED FEDERATION OF PLANETS
STAR FLEET DIVISION

GENERAL PLANS/RECOGNITION DETAIL
COLONY TRANSPORT [TTC] / EDWARD CLASS

AUTHENTICATION NOTICE

CHIEF OF DESIGN
AUTHENTICATION APPROVAL
VERSION RELEASE

RIMA LITONJUA
SD 4840.55
SD 7411.27



COLONY TRANSPORT CLASS

CLASS SPECIFICS

STANDARD COMPLEMENT

OFFICERS [COMMAND] 20
 CREW 180

DIMENSIONS

DEADWEIGHT TONNAGE 731,500 MT
 LENGTH 420M
 BREADTH 140M
 HEIGHT 76M

ARMAMENTS

PHASERS NONE
 PHOTON TORPEDOES NONE
 DEFENSE DEFLECTOR SHIELD PFF2A
 PASSIVE DEFLECTOR MK VI/AS
 TRACTOR BEAM EMITTER MK IV SS MICRO-COMPRESSOR [A]

PROPULSION SYSTEMS

WARP/FTL DRIVE PB-32S MK III—TRIPLE [WF 6/8]
 IMPULSE/SL DRIVE IP186E [.75C]
 RCS SYSTEM CCR60C [500KPM]

SUPPLEMENTAL CRAFT

TYPE H TRAVEL POD 4

SECONDARY SYSTEMS

MAIN COMPUTER DUOTRONIC MK II CU
 ACTIVE SCANNER SUITE MK III LX ADV SENSORY SYSTEM
 PASSIVE SENSOR SUITE MK III ADV SENSORY SYSTEM
 TRANSPORTERS 10 STD / 10 EVAC / 4 CARGO
 LIFE SUPPORT MK IV CT-3 SUITE

MISSION PROFILE

MISSION TYPE COLONY TRANSPORT, TTC
 MAXIMUM OPERATING RANGE 18 YEARS AT LYV

DECK ARRANGEMENT [GENERAL]

VESSEL SECTION

DECK SUMMARY

DECK ONE
 DECK TWO
 DECK THREE THRU FIVE
 DECK SIX
 DECK SEVEN
 DECK EIGHT
 DECK NINE
 DECK TEN
 DECK ELEVEN

BRIDGE
 CREW LOUNGE
 OFFICER'S QUARTERS, MAIN RECREATION DECKS, STORES
 MAIN HABITATION ACCESS,, ENGINEERING, IMPULSE REACTOR CONTROL
 CREW QUARTERS, AUX CONTROL, PERSONELL GANGWAY ACCESS
 TRAVEL PODS, PERSONNEL GANGWAY ACCESS, COMPUTER ARRAY
 FABRICATION FACILITIES, STORAGE
 RECREATION DECKS, STORAGE
 SENSOR AND SCANNER CONTROL

SURVEYOR CLASS

CAHUYA CLASS STARSHIPS

GENERAL INFORMATION

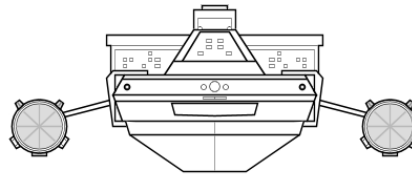
THE FIVE SHIPS OF THE *CAHUYA* CLASS WERE ORIGINALLY DESIGNED AS MILITARY-ORIENTED CRUISERS, BUT THE SPECIFICS OF THE CLASS WAS SOUNDLY OUT-PERFORMED BY THE THEN-NEW *CONSTITUTION* CLASS VESSELS. STAR FLEET HAD COMMISSIONED FIVE SHIPS THAT NOW SEEMED OBSOLETE BEFORE THEY HAD EVEN BEEN COMPLETED!

RATHER THAN WASTE THE VESSELS, HOWEVER, STAR FLEET RE-APPROPRIATED THE FIVE SHIPS ALREADY STARTED AND MADE THEM INTO LONG-RANGE SURVEYORS, ALLOWING CONSTRUCTION OF EACH SHIP TO BE COMPLETED WITH MORE MODERN COMPONENTS.

THE CLASS, UNDER ITS NEW MISSION OBJECTIVE, WAS A LIMITED SUCCESS. THOUGH THE SHIPS PERFORMED REASONABLY WELL EARLY IN THEIR CAREERS, THE DATED HULL FRAME PROVED UNWORKABLE FOR CONSISTANT UPGRADES. OTHER SHIPS CLASSES WITH LESS 'RIGID' DESIGNS SOON OVERTOOK THE *CAHUYA* IN TERMS OF DESIRABILITY AND THESE SHIPS HAVE FALLEN BY THE WAYSIDE IN THEIR USE.

THE REMAINING TWO SHIPS OF THE CLASS HAVE REACHED THE END OF THEIR LIFE CYCLE, AND ARE SCHEDULED FOR DECOMMISSIONING WITHIN THE 2270S.

CAHUYA CLASS - BOW VIEW



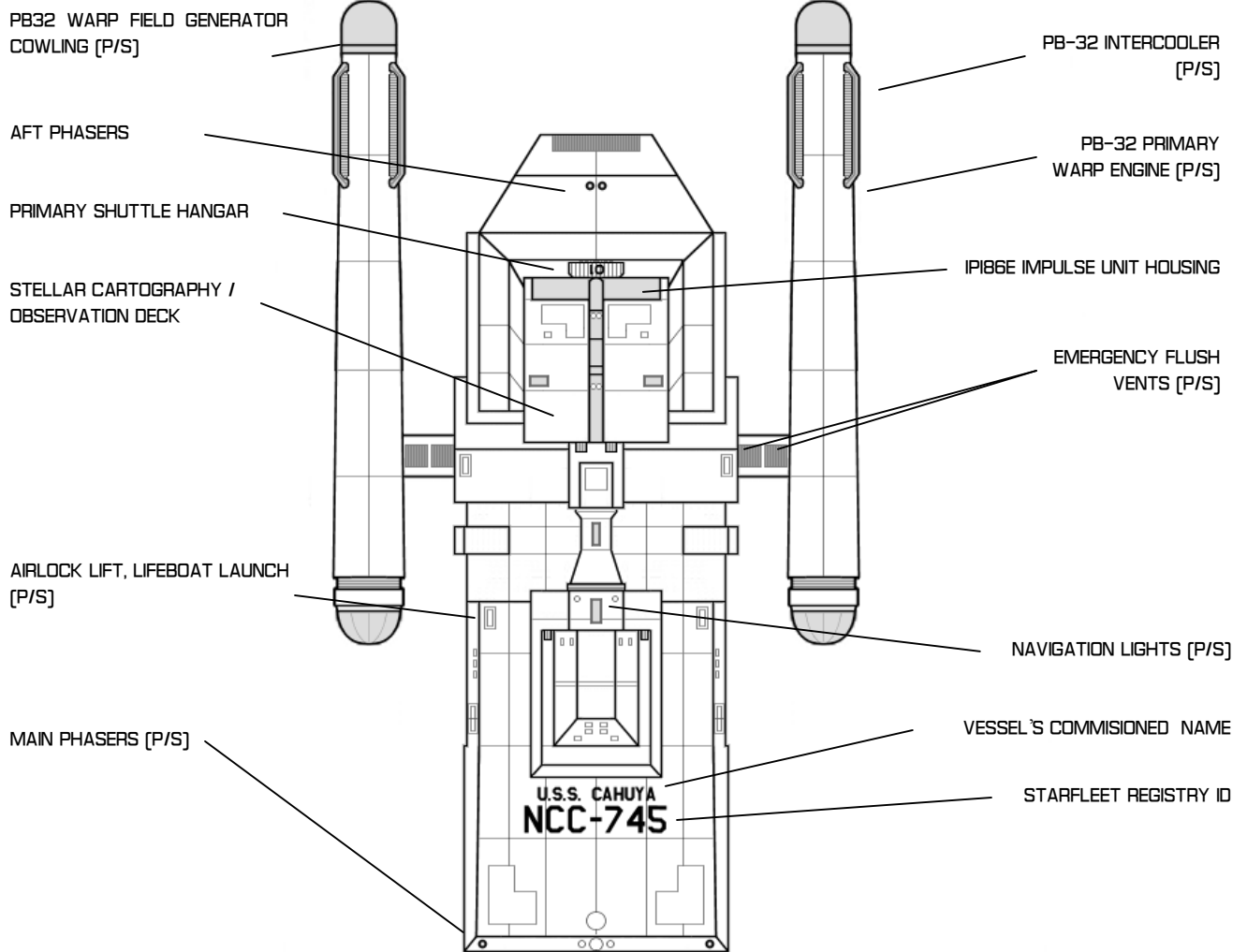
CONSTRUCTION DETAILS

CHIEF OF DESIGN	TODD GUENTHER
PRIMARY SHIPYARD	UTOPIA PLANETIA
PROJECT INITIATION	MAY 2258, SD 1313
VESSELS CONSTRUCTED	5

VESSEL NAME [MOST RECENT]	REGISTRY	STATUS AS OF SD 7411.3 [JANUARY 2272]
USS CAHUYA	NCC-745	CLASS SHIP; DECOMMISSIONED
USS DATOR	NCC-746	DECOMMISSIONED
USS TURA	NCC-747	DECOMMISSIONED
USS NONOY	NCC-748	ACTIVE / STARFLEET COMMAND
USS CAMANAY	NCC-749	ACTIVE / STARFLEET COMMAND

SURVEYOR CLASS

CAHUYA CLASS STARSHIPS—DORSAL VIEW



UNITED FEDERATION OF PLANETS
STAR FLEET DIVISION

GENERAL PLANS/RECOGNITION DETAIL
SURVEYOR [SCA] / CAHUYA CLASS

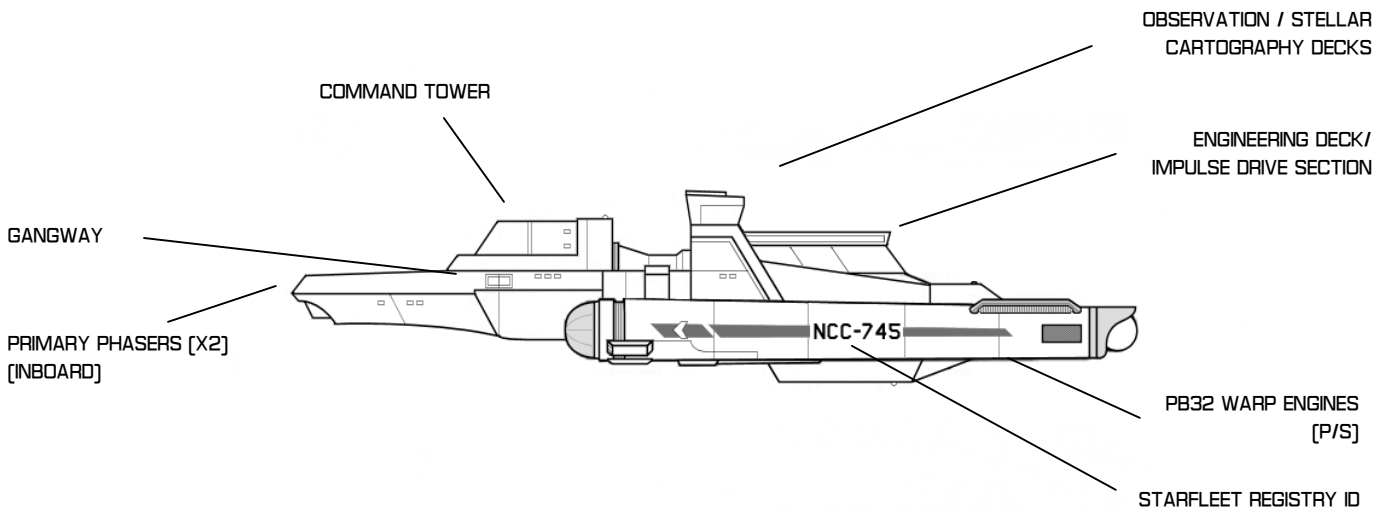
AUTHENTICATION NOTICE

CHIEF OF DESIGN
AUTHENTICATION APPROVAL
VERSION RELEASE

TODD GUENTHER
SD 4840.55
SD 7411.27

SURVEYOR CLASS

CAHUYA CLASS STARSHIPS—PORT VIEW



UNITED FEDERATION OF PLANETS
STAR FLEET DIVISION

GENERAL PLANS/RECOGNITION DETAIL
SURVEYOR [SCA] / CAHUYA CLASS

AUTHENTICATION NOTICE

CHIEF OF DESIGN	TODD GUENTHER
AUTHENTICATION APPROVAL	SD 2401.55
VERSION RELEASE	SD 7411.27



SURVEYOR CLASS

CLASS SPECIFICS

STANDARD COMPLEMENT		SUPPLEMENTAL CRAFT	
OFFICERS [COMMAND]	25	TYPE H TRAVEL POD	2
CREW	360	TYPE F SHUTTLECRAFT	4
DIMENSIONS		SECONDARY SYSTEMS	
DEADWEIGHT TONNAGE	165,000 MT	MAIN COMPUTER	DUOTRONIC MK III CU
LENGTH	231M	ACTIVE SCANNER SUITE	MK III LX SENSORY SYSTEM
BREADTH	130M	PASSIVE SENSOR SUITE	MK III SENSORY SYSTEM
HEIGHT	53M	TRANSPORTERS	3 STD / 3 EVAC / 2 CARGO
ARMAMENTS		LIFE SUPPORT	MK IV CT-3 SUITE
PHASERS	MK IV SINGLE EMITTER [X2A, X2 F, X2V]	MISSION PROFILE	
PHOTON TORPEDOES	NONE	MISSION TYPE	SURVEYOR [SCA]
DEFENSE DEFLECTOR SHIELD	PFF3AE	MAXIMUM OPERATING RATING	25 YEARS
PASSIVE DEFLECTOR	MK VII/AS		
TRACTOR BEAM EMITTER	MK IV SS MICRO-COMPRESSOR [A]		
PROPULSION SYSTEMS			
WARP/FTL DRIVE	NONE		
IMPULSE/SL DRIVE	NONE		
RCS SYSTEM	CCR50C [500KPM]		

DECK ARRANGEMENT [GENERAL]	VESSEL SECTION	DECK SUMMARY
DECK ONE	FORWARD	BRIDGE
DECK 'A'	AFT	OBSERVATION DECK
DECK ONE	AFT	STELLAR CARTOGRAPHY
DECK TWO		SCIENCE LABS
DECK THREE		PHOTON CONTROL,
DECK FOUR		OFFICER'S QUARTERS
DECK FIVE		OFFICER'S QUARTERS, PHASER CONTROL, PHASER BANKS [F/P, F/S]
DECK SIX		CREW QUARTERS, ENGINEERING, IMPULSE REACTOR CONTROL
DECK SEVEN		CREW QUARTERS, AUX CONTROL, PERSONELL GANGWAY ACCESS
DECK EIGHT		TRAVEL PODS, COMPUTER ARRAY, SENSOR AND SCANNER CONTROL
DECK NINE		FABRICATION FACILITIES, STORAGE
DECK TEN		RECREATION DECKS, STORAGE
DECK ELEVEN		SHIP'S STORES

TRANSPORT CONTAINER

PRODUCTS SERIES

GENERAL INFORMATION

THE 'PRODUCTS' POD IS DESIGNED FOR MASS TRANSIT OF 'FINISHED' GOODS AND MATERIALS. THE POD CAN CARRY UP TO 300,000 CUBIC METERS OF ASSORTED FREIGHT, IDEAL FOR RESUPPLYING STARBASES AND OUTPOSTS, AS WELL AS MAINTAINING SUPPLY LINES FOR STARFLEET ACTIVITIES.

THE FGP POD IS DESIGNED TO CARRY AN ASSORTMENT OF GOODS, SO IT MAINTAINS SEVERAL COMPARTMENTS FOR REFRIGERATION, LIQUID TRANSPORT, AND SO ON. DUE TO ITS GENERAL PURPOSE SUE AND LARGE CAPACITY, THE FGP POD IS THE MOST COMMON TYPE OF TRANSPORT CONTAINER CURRENTLY IN USE.

CONSTRUCTION DETAILS

CHIEF OF DESIGN	FRANZ JOSEPH
PRIMARY SHIPYARD	VARIOUS
PROJECT INITIATION	MAY 2258, SD 1313
VESSELS CONSTRUCTED	349 [AUTHORIZED]

SUPPLEMENTAL CRAFT

NONE

SECONDARY SYSTEMS

MAIN COMPUTER	DUOTRONIC MK III CU
ACTIVE SCANNER SUITE	NONE
PASSIVE SENSOR SUITE	NONE
TRANSPORTERS	1 STD / 1 EVAC / 4 CARGO
LIFE SUPPORT	MK IV CT-3 SUITE

MISSION PROFILE

MISSION TYPE	GENERAL PURPOSE
MAXIMUM OPERATING RATING	25 YEARS

STANDARD COMPLEMENT

OFFICERS [COMMAND]	2
CREW	18

DIMENSIONS

DEADWEIGHT TONNAGE	122,000 MT
LENGTH	203M
BREADTH	44M
HEIGHT	44M

ARMAMENTS

PHASERS	NONE
PHOTON TORPEDOES	NONE
DEFENSE DEFLECTOR SHIELD	PFF3AE
PASSIVE DEFLECTOR	MK VI/AS
TRACTOR BEAM EMITTER	MK IV SS MICRO-COMPRESSOR [A]

PROPULSION SYSTEMS

WARP/FTL DRIVE	NONE
IMPULSE/SL DRIVE	NONE
RCS SYSTEM	CCR50C [500KPM]

DECK ARRANGEMENT [GENERAL]

VESSEL SECTION

DECK SUMMARY

DECK ONE
DECK TWO
DECK THREE
DECK FOUR
DECK FIVE THRU NINE
DECK TEN

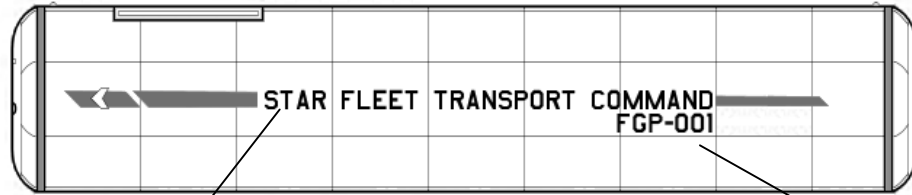
LINKAGE SYSTEM, EMERGENCY SEAL,
CONTROL, CREW QUARTERS, MAINTENANCE, PERSONELL TRANSPORTERS
PRODUCTS STORAGE
FORWARD/AFT LINKAGE SYSTEM, PRODUCT STORAGE
PRODUCTS STORAGE
TRACTOR BEAM COTNROL, STORES, PRODUCT STORAGE

TRANSPORT CONTAINER

PRODUCTS SERIES - TRI-VIEW

DORSAL LINKAGE/
MOUNT HOUSING

NAVIGATION LIGHTS [F/A]



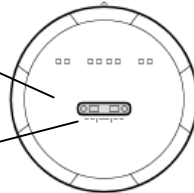
FORWARD LINKAGE/
MOUNT HOUSING

STAR FLEET TRANSPORT
PENNANT

TYPE AND REGISTRY
MARKING

FORWARD LINKAGE/
MOUNT HOUSING

NAVIGATION LIGHTS [F/A]

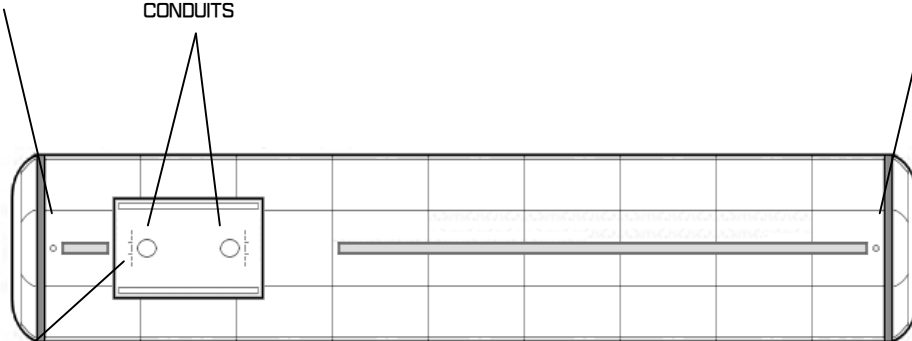


DOCKING GUIDANCE LIGHTS

NAVIGATION LIGHT

SYSTEM AND PERSONNEL
CONDUITS

NAVIGATION LIGHT



DOCKING GUIDANCE LIGHTS



UNITED FEDERATION OF PLANETS
STAR FLEET DIVISION

GENERAL PLANS/RECOGNITION DETAIL
TRANSPORT CONTAINER / PRODUCTS-SERIES

AUTHENTICATION NOTICE

CHIEF OF DESIGN
AUTHENTICATION APPROVAL
VERSION RELEASE

FRANZ JOSEPH
SD 4840.55
SD 741127

TRANSPORT CONTAINER

REEFER SERIES

GENERAL INFORMATION

THE 'REEFER', OR REFRIGERATION POD, IS USED TO TRANSPORT MATERIALS THAT ARE ENVIRONMENT-SENSITIVE. 'REFREIGERATION' MAY BE A MISNOMER, SINCE THE PODS ARE CAPABLE OF TRANSPOTING AND DELIVERING GOODS WHILE MAINTAINING 'HIGH HEAT' CONDITIONS AS WELL.

SINCE THE FPG POD HAS REFRIGERATION CAPABILITIES OF ITS OWN, THE FRF PODS ARE RESERVED FOR LARGE-SCALE TRANSPOT OF ENVIRONMENTALLY SENSITIVE GOODS. CONSEQUENTLY, THERE ARE SIGNIFICANTLY FEWER 'REEFER' PODS THAN GENERAL PRODUCTS PODS IN THE SPACELANES.

CONSTRUCTION DETAILS

CHIEF OF DESIGN	FRANZ JOSEPH
PRIMARY SHIPYARD	VARIOUS
PROJECT INITIATION	MAY 2258, SD 1313
VESSELS CONSTRUCTED	349 [AUTHORIZED]

SUPPLEMENTAL CRAFT

NONE

SECONDARY SYSTEMS

MAIN COMPUTER	DUOTRONIC MK III CU
ACTIVE SCANNER SUITE	NONE
PASSIVE SENSOR SUITE	NONE
TRANSPORTERS	1 STD / 1 EVAC / 4 CARGO
LIFE SUPPORT	MK IV CT-3 SUITE

MISSION PROFILE

MISSION TYPE	GENERAL PURPOSE
MAXIMUM OPERATING RATING	25 YEARS

STANDARD COMPLEMENT

OFFICERS [COMMAND]	2
CREW	18

DIMENSIONS

DEADWEIGHT TONNAGE	100,000 MT
LENGTH	203M
BREADTH	44M
HEIGHT	44M

ARMAMENTS

PHASERS	NONE
PHOTON TORPEDOES	NONE
DEFENSE DEFLECTOR SHIELD	PFF3AE
PASSIVE DEFLECTOR	MK VII/AS
TRACTOR BEAM EMITTER	MK IV SS MICRO-COMPRESSOR [A]

PROPULSION SYSTEMS

WARP/FTL DRIVE	NONE
IMPULSE/SL DRIVE	NONE
RCS SYSTEM	CCR50C [500KPM]

DECK ARRANGEMENT [GENERAL]

VESSEL SECTION

DECK SUMMARY

DECK ONE
DECK TWO
DECK THREE
DECK FOUR
DECK FIVE THRU NINE
DECK TEN

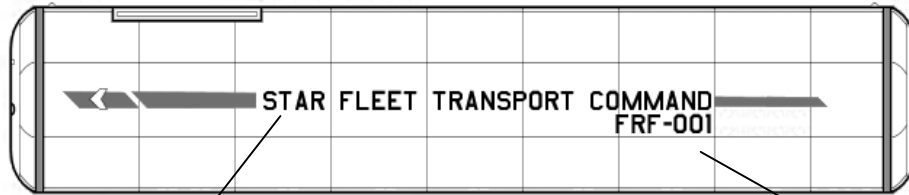
LINKAGE SYSTEM, EMERGENCY SEAL,
CONTROL, CREW QUARTERS, MAINTENANCE, PERSONELL TRANSPORTERS
MATERIALS STORAGE, CLIMATE CONTROL
FORWARD/AFT LINKAGE SYSTEM, MATERIALS STORAGE, CLIMATE CONTROL
MATERIALS STORAGE, CLIMATE CONTROL
TRACTOR BEAM COTNROL, STORES, GENERAL STORAGE

TRANSPORT CONTAINER

REEFER SERIES - TRI-VIEW

DORSAL LINKAGE/
MOUNT HOUSING

NAVIGATION LIGHTS [F/A]



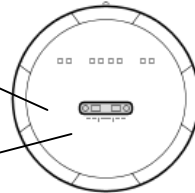
FORWARD LINKAGE/
MOUNT HOUSING

STAR FLEET TRANSPORT
PENNANT

TYPE AND REGISTRY
MARKING

FORWARD LINKAGE/
MOUNT HOUSING

NAVIGATION LIGHTS [F/A]

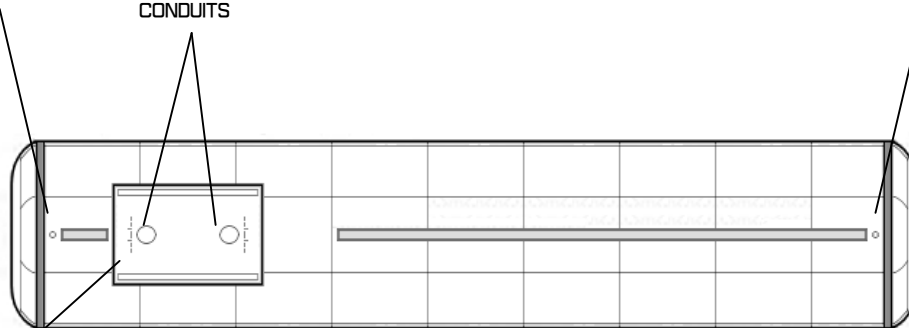


DOCKING GUIDANCE LIGHTS

NAVIGATION LIGHT

SYSTEM AND PERSONNEL
CONDUITS

NAVIGATION LIGHT



DOCKING GUIDANCE LIGHTS



UNITED FEDERATION OF PLANETS
STAR FLEET DIVISION

GENERAL PLANS/RECOGNITION DETAIL
TRANSPORT CONTAINER / REEFER-SERIES

AUTHENTICATION NOTICE

CHIEF OF DESIGN
AUTHENTICATION APPROVAL
VERSION RELEASE

FRANZ JOSEPH
SD 4840.55
SD 741127

TRANSPORT CONTAINER

STARLINER SERIES

GENERAL INFORMATION

THE 'STARLINER' POD IS NORMALLY IN USE BY CIVILIAN AGENCIES WITH AUXILLARY SHIPS RATHER THAN FORMAL USE BY STARFLEET, THOUGH THERE HAVE BEEN A FEW EXCEPTIONS - MOSTLY FOR DIPLOMATIC PURPOSES, OR FOR THE YEARLY STARFLEET ACADEMY GRADUATION CRUISE.

AN SLR-001 TYPE POD CAN ACCOMMODATE BETWEEN 300 TO 500 GUESTS IN HIGH LUXURY, WITH A WIDE VARIETY OF ENTERTAINMENT SERVICES, SPACIOUS ROOMS, AND FULLY STOCKED GALLEY. TO GET AN UNDERSTANDING OF THE LUXURY FOUND WITHIN THIS STARLINER, THE SLR-001 ITSELF [SOMEWHAT MODIFIED FROM SPEC] IS THE 'PRESIDENTIAL LINER', RESERVED FOR THE FEDERATION PRESIDENT AND HIS STAFF.

CONSTRUCTION DETAILS

CHIEF OF DESIGN	FRANZ JOSEPH
PRIMARY SHIPYARD	VARIOUS
PROJECT INITIATION	MAY 2258, SD 1313
VESSELS CONSTRUCTED	349 [AUTHORIZED]

SUPPLEMENTAL CRAFT

TYPE H TRAVEL POD	4
TYPE F SHUTTLECRAFT	6

SECONDARY SYSTEMS

MAIN COMPUTER	DUOTRONIC MK III CU
ACTIVE SCANNER SUITE	NONE
PASSIVE SENSOR SUITE	NONE
TRANSPORTERS	4 STD / 4 EVAC / 2 CARGO
LIFE SUPPORT	MK IV CT-3 SUITE

MISSION PROFILE

MISSION TYPE	GENERAL PURPOSE
MAXIMUM OPERATING RATING	25 YEARS

STANDARD COMPLEMENT

OFFICERS [COMMAND]	20
CREW	175

DIMENSIONS

DEADWEIGHT TONNAGE	85,000 MT
LENGTH	203M
BREADTH	44M
HEIGHT	44M

ARMAMENTS

PHASERS	NONE
PHOTON TORPEDOES	NONE
DEFENSE DEFLECTOR SHIELD	PFF3AE
PASSIVE DEFLECTOR	MK VII/AS [REINFORCED]
TRACTOR BEAM EMITTER	MK IV SS MICRO-COMPRESSOR [A,FX2]

PROPULSION SYSTEMS

WARP/FTL DRIVE	NONE
IMPULSE/SL DRIVE	IP186E [.75C]
RCS SYSTEM	CCR50C [500KPM]

DECK ARRANGEMENT [GENERAL]

VESSEL SECTION

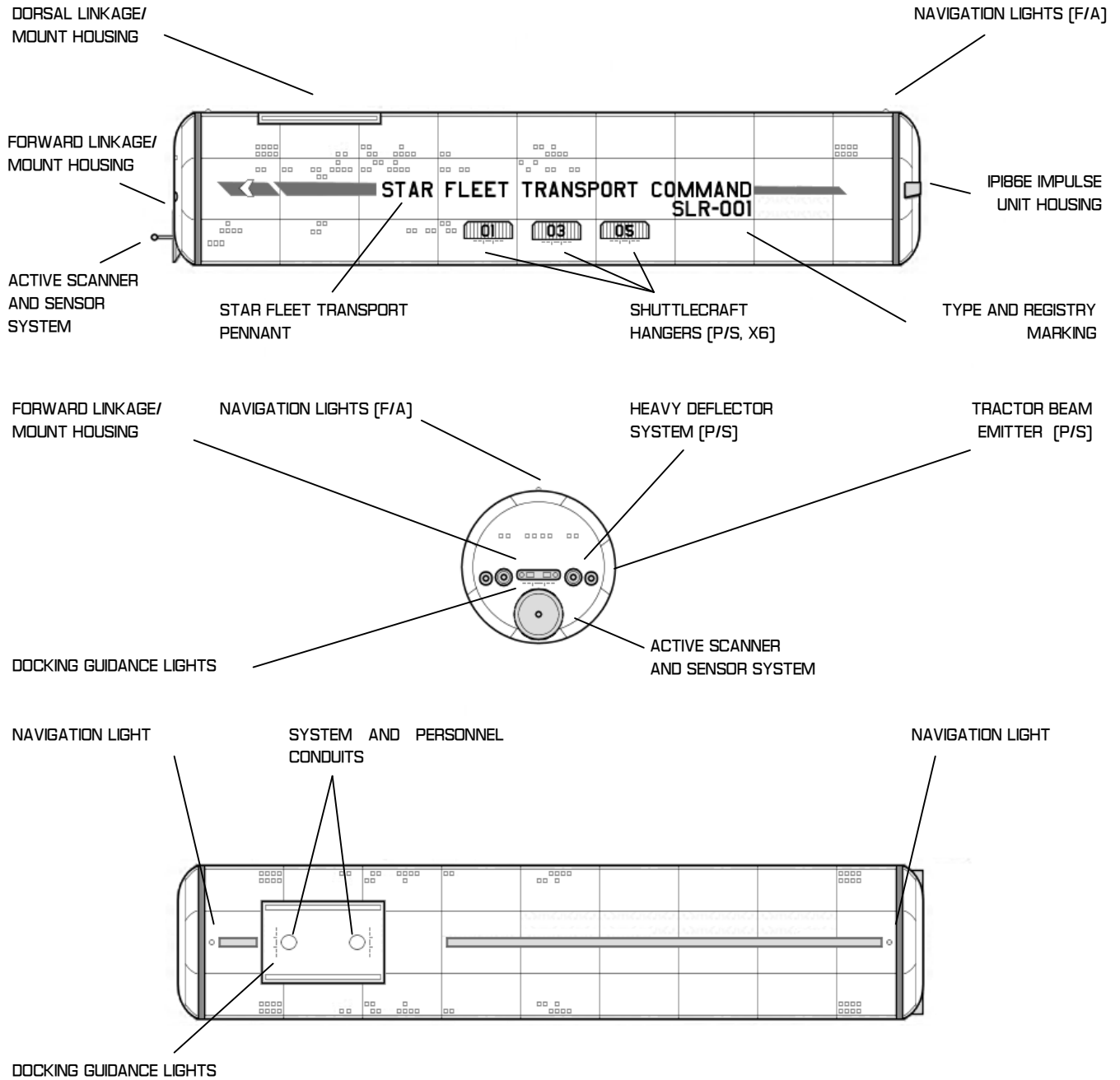
DECK SUMMARY

DECK ONE
DECK TWO, THREE
DECK FOUR
DECK FIVE
DECK SIX
DECK SEVEN
DECK EIGHT THRU TEN

LINKAGE SYSTEM, EMERGENCY SEAL, RECREATION CENTERS
OFFICER QUARTERS, PASSENGER CABINS, TRANSPORTERS
THEATRE, PROMENADE
PASSENGER CABINS, CREW CABINS, TRANSPORTERS
MAIN CONTROL., MAINTENANCE, ENGINEERING DECK
TRACTOR BEAM CONTROL, SHUTTLECRAFT HANGARS, EMERGENCY EVAC
STORAGE, CARGO HOLDS, MAINTENANCE SYSTEMS

TRANSPORT CONTAINER

STARLINER SERIES - TRI-VIEW



UNITED FEDERATION OF PLANETS
STAR FLEET DIVISION

GENERAL PLANS/RECOGNITION DETAIL
TRANSPORT CONTAINER / STARLINER-SERIES

AUTHENTICATION NOTICE

CHIEF OF DESIGN	FRANZ JOSEPH
AUTHENTICATION APPROVAL	SD 4840.55
VERSION RELEASE	SD 741127

STARFLEET TECHNICAL ORDER

AUTHENTICATED STARDATE 741127

RS: 480372-5
TO 01:04:35

