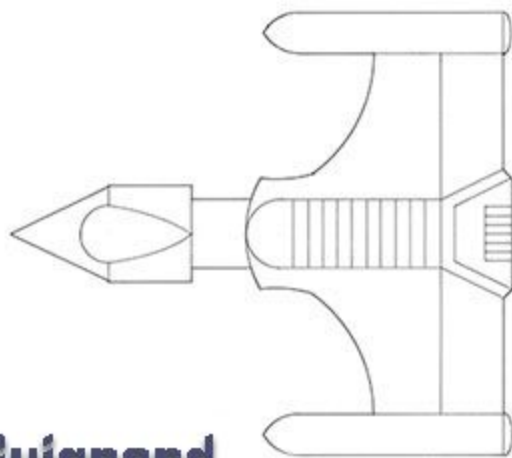
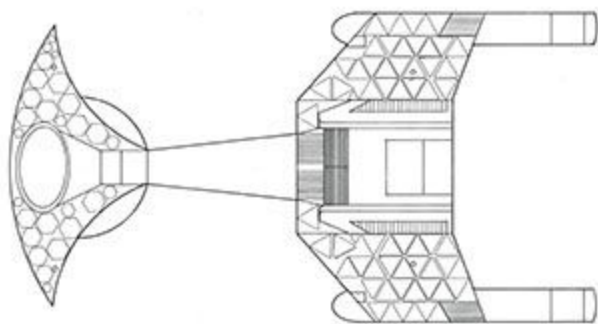
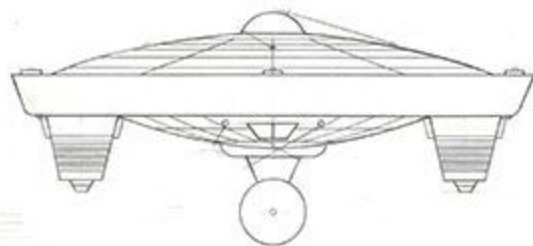


Hand Drafted Starship Blueprints



by Bernard Guignard



STAR FLEET

INTELLIGENCE DIVISION
FLEET HEADQUARTERS SOL-III

GENERAL PLANS FREIGHTER

MODEL:

MKE-3

TYPE:

MODULAR FRAME CONTRACT

SUPPLIER:

BOEING-TELLERAX: TELLUS

CLASS:

BOETELLER

SCALE:

1:1

VIEW:

TOP PORT, BOW

SHEET:

10F1

SPECIFICATIONS:

LENGTH: 247.0 METERS

WIDTH: 79.0 METERS

HEIGHT: 62.2 METERS

WARP ENGINES: 2

IMPULSE ENGINE: 1

MAX VELOCITY: WF-4

CRUISE VELOCITY: WF-2

ARMAMENT: VARIES A1

6 PERSON TRANSPORTER: 2

30 PERSON TRANSPORTER: NIL

CARGO TRANSPORTER: 6

CREW: 20 +- A2

METRIC TONNAGE:

EMPTY: 45,000 MT

LOADED: 300,000 MT

KNOWN SHIPS: SEE SFMM REGISTRY^{A3}

NOTES:

1: ALL DIMENSIONS IN METRIC SOL-III EARTH.

2: INFORMATION CONCERNING THIS CLASS OF FREIGHTER REFER TO SFD-TM-11428-156 ALSO SFMMD: TM-046-2287.

3: THIS CLASS SHIP HAS A SMALL SHUTTLE BAY WITH A SINGLE SHUTTLE CRAFT.

A1: BECAUSE THESE SHIPS ARE EITHER PRIVATELY OWNED, OR COMPANY OWNED.

WEAPONRY ON THE SHIPS VARY IN NUMBER AND TYPE DUE OWNERS DISCRETION AND BANK ACCOUNT.

A2: CREW OF TWENTY PLUS PASSENGER FACILITIES FOR 8 PEOPLE.

A3: STAR FLEET MERCHANT MARINE REGISTRY CURRENTLY HAVE 2000 SHIPS OF THIS TYPE REGISTERED.

STATUS: PUBLIC INFORMAT.

STARDATE: APPROVED:

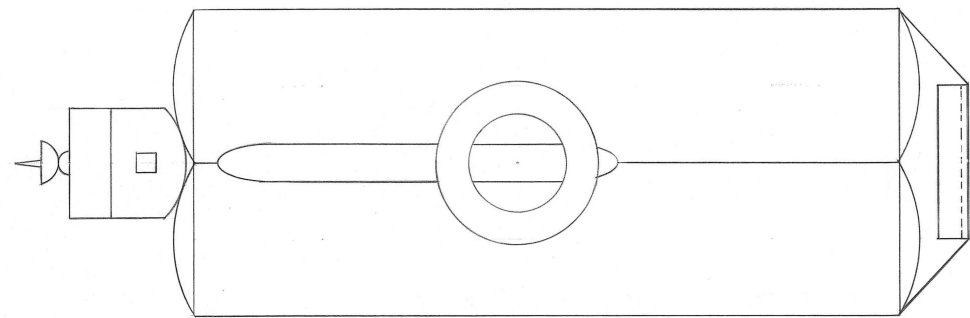
8510.27 FLT. ADM. H. MORROW

REEXECUTED:

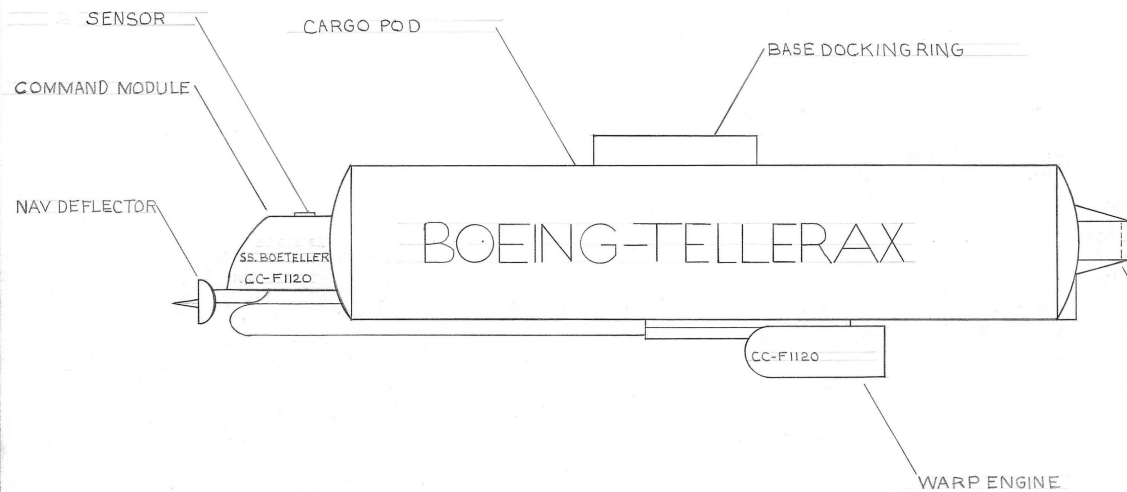
LT. BERNARD GUIGNARD

VERIFIED: RELEASED:

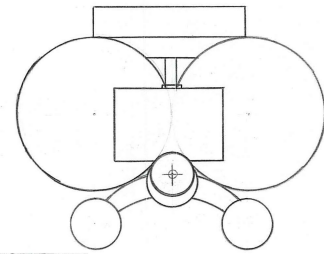
SD. 8510.30 SD. 8511.01



TOP



PORT



IMPULSE ENGINE

BOW



STAR FLEET COMMAND

ENGINEERING DIVISION
FLEET HEADQUARTERS

OPERATIONS SECTION

GENERAL PLANS | STAR SHIP

MODEL: MK-11 I A & B

TYPE: FRIGATE

CLASS: BURKE | SCALE: 2:1

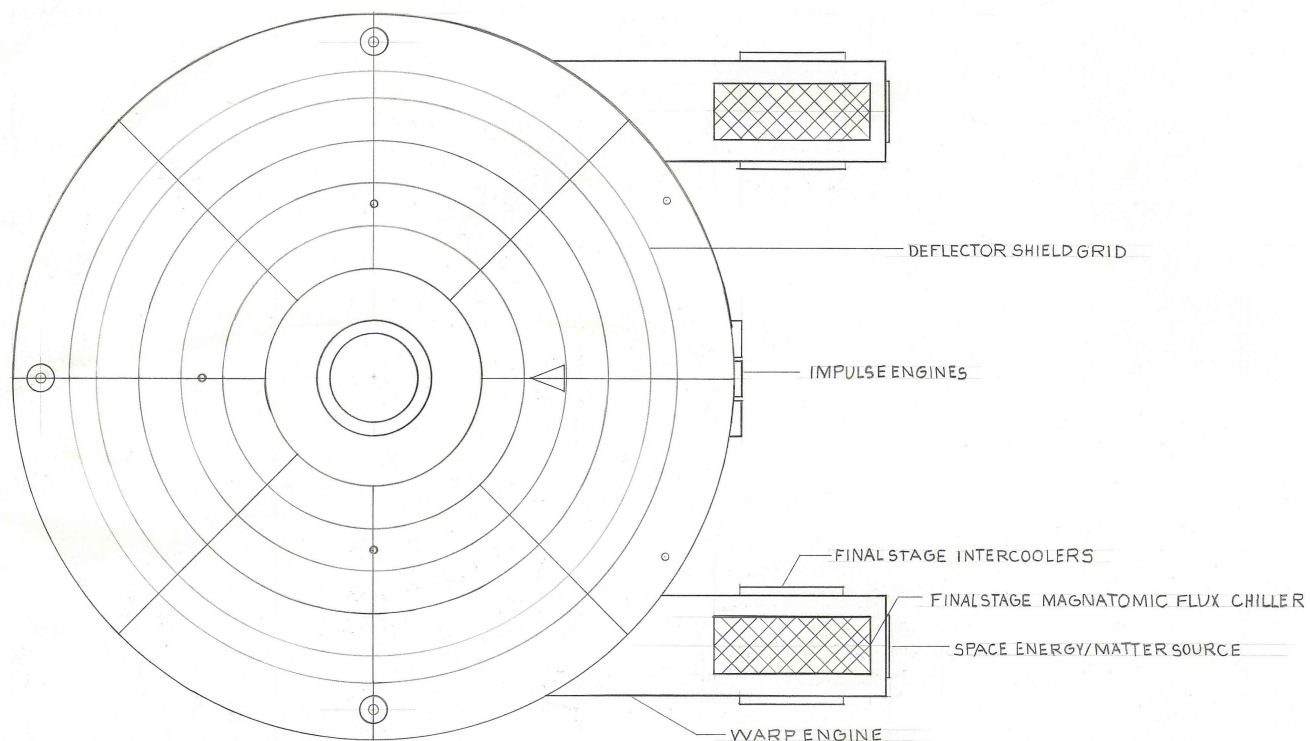
VIEW: TOP, PORT, BOW | SHEET: 1 OF 1

SPECIFICATIONS: A - B

LENGTH: 115.5 METERS
 WIDTH: 95 METERS
 HEIGHT: 42 METERS
 METRIC TONNAGE: 53,000 MT - 53,100 MT
 WARP ENGINES: 2
 IMPULSE ENGINES: 3
 MAX. VELOCITY: WF. 8
 CRUISE VELOCITY: WF. 6
 ARMAMENT: A - B
 PHASER-T-1: 3 3
 PHASER-T-3: 2 2
 PHOTON TORPEDO BANK: 1 1
 DRONE RACK: TYPE-G 0 1

6 PERSON TRANSPORTER: 1
 30 PERSON TRANSPORTER: 2
 CARGO TRANSPORTER: 1
 SHUTTLE CRAFT: 7 MAN 2
 CREW: 160
 ENDURANCE AT LY. IN YEARS: 10

NOTES:
 1: ALL DIMENSIONS IN METRIC SOL-III EARTH.
 2: INFORMATION CONCERNING THIS TYPE STAR SHIP REFER TO SFD-TM:379261-0
 3: WARP ENGINE MODEL: SW41/3-2
 4: PHASERS REFER TO NUMBER OF EMPLACEMENTS.
 5: PHOTON TORPEDOS 1 BANK 2 TUBES.
 6: VARIANT FRIGATES BASED ON FOLLOWING DESIGN ARE AS FOLLOWS:
 ESCORT, SCOUT, EXPERIMENTAL, DRONE, MINESWEEPER, PRIORITY TRANSPORT, VIP TRANSPORT, ESCORT CARRIER.



TOP

PHASERS TYPE-1

SENSOR ARRAY

FORMATION LIGHTS

SPACE ENERGY/MATTER ACQUISITION

PHASERS TYPE-3
 POWER STAGE MAGATOMIC FLUX CHILLER
 MAIN SENSOR & NAVIGATIONAL DEFLECTOR

PHOTON TORPEDO TUBES

SHUTTLE BAY DOORS

PORT

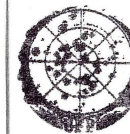
BOW

STATUS: CLASSIFIED

STAR DATE: 6005.21 | APPROVED: FLT ADM. RAPRII

EXECUTED: ENSIGN BERNARD GUIGNARD

VERIFIED: SD:6006.14 | RELEASED: SD:6007.05



STAR FLEET

INTELLIGENCE DIVISION
FLEET HEADQUARTERS-SOL-III

GENERAL PLANS ORION PIRATE SHIP

MODEL: SF0.M.KA-8

TYPE: BATTLE DESTROYER

CLASS: REVENGE SCALE: 1:0.5

VIEW: TOP, PORT, BOW SHEET: 1 OF 1

SPECIFICATIONS:

LENGTH: 90.91 M

WIDTH: 68.2 M

HEIGHT: 11.4 M

METRIC TONNAGE: (A-1) 84,000 MT

WARP ENGINES: 2

IMPULSE ENGINES: 2

MAX. VELOCITY: WF-10

CRUISE VELOCITY: WF-6

PHASER EMPLACEMENTS: 6

OPTIONAL WEAPONS MOUNTS (A-2) 2

6 PERSON TRANSPORTER: 1

30 PER. TRANSPORTER: 1

CARGO TRANSPORTER: 1

SHUTTLECRAFT: 2

CREW: 130

KNOWN SHIPS: REVENGE
CALICAO JACK

NOTES:

1. ALL DIMENSIONS IN METRIC-SOL III EARTH.

2. INFORMATION CONCERNING THE FOLLOWING CLASS STARSHIP REFERTO: SFD-TM124-01178.

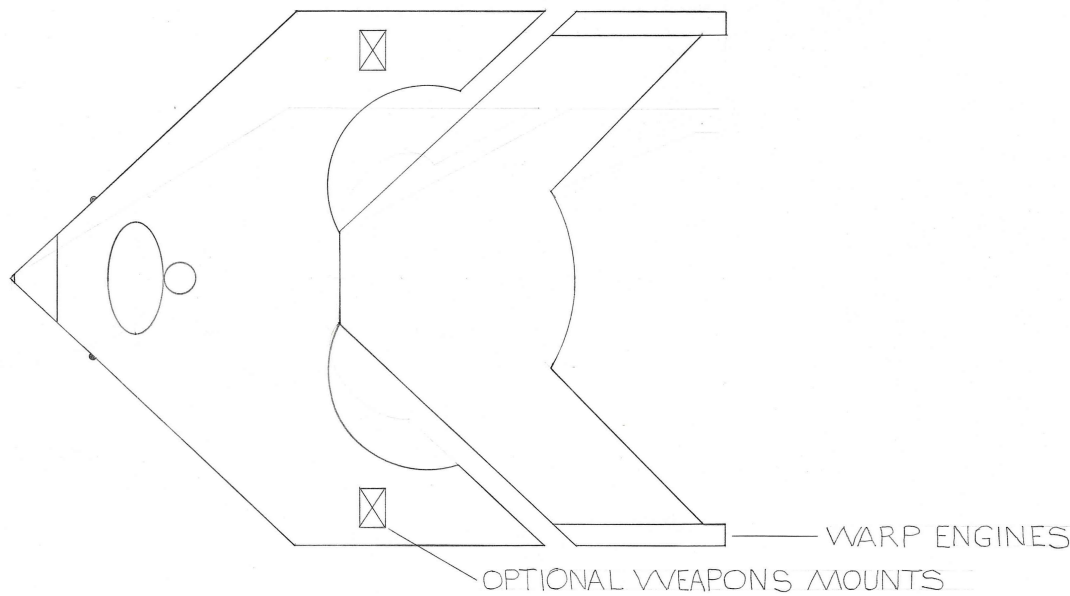
3. HISTORICAL REFERENCES:
USS ASTRAL QUEEN NCC-F1304 SD 85010
ATTACKED BY PIRATE SHIP REVENGE.
USS SALADIN NCC-500 SD 8506.24
SALADIN FIRED ON BY PIRATE SHIP CALICAO JACK.
USS FOXHOUND NCC-641 SD 8507.07
PURSUED THE PIRATE SHIP REVENGE
LOST IT IN CYGNAT ASTROID FIELD.
PARTICULARS:
A-1: METRIC TONNAGE GIVEN CALCULATED WITHOUT HEAVY WEAPONS IN OPTIONAL WEAPONS MOUNTS.
A-2: O.W.M.S. MAY CONTAIN ANY WEAPON SYSTEM KNOWN TO STAR FLEET, KLINGON DEEP SPACE FLEET, ROMULAN SPACE NAVY, GORN DEFENCE FORCE, KZINTI IMPERIAL STRIKE FLEET, HYDRAN ROYAL SPACE NAVY, LYRAN CLAN ARMADA, & INTERSTELLAR CONCORDIUM STELLAR FLEET.
A-3: ANY INFORMATION NOTED HERE WAS OBTAINED BY SENSOR SCANS, AND EXPERIENCE WITH ORION PIRATES.

STATUS: CONFIDENTIAL

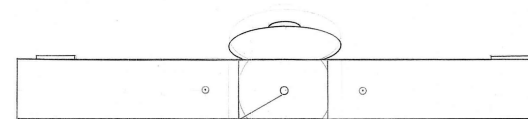
STARDATE: 8510.06 APPROVED: RAD/M. J.T. KIRK

EXECUTED: LT.COM. B. GUIGNARD

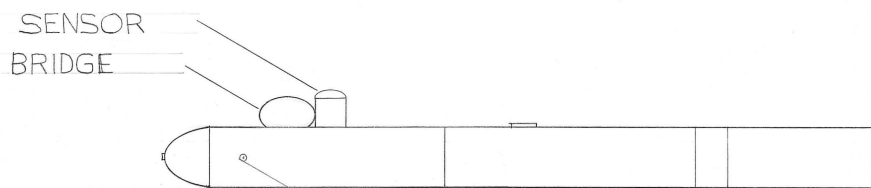
VERIFIED: SD: 8510.09 RELEASED: SD: 8511.22



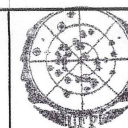
TOP



BOW



PORT



STAR FLEET

INTELLIGENCE DIVISION
FLEET HEADQUARTERS SOL-III/

GENERAL PLANS STAR SHIP

TYPE: AUXILIARY CARRIER

MODEL: MKALCV-1-EXP

DEVELOPER: VICKERS SPACECRAFT

CLASS: VALLEJO SCALE: 1:1

VIEW: TOP, PORT, BOW SHEET: 1 OF 1

SPECIFICATIONS:

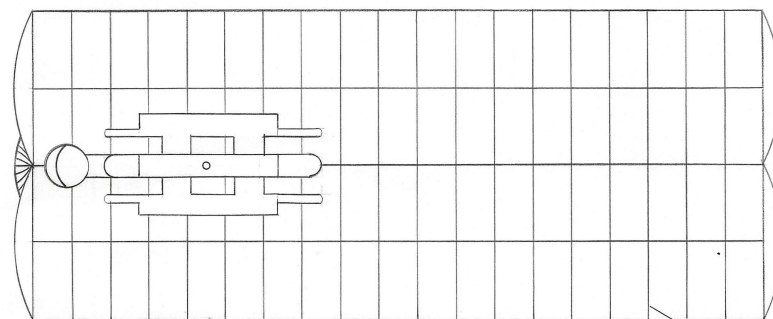
LENGTH: 200 METERS
WIDTH: 80 METERS
HEIGHT: 74 METERS
METRIC TONNAGE: 105,000 MT
WARP ENGINES: 2
IMPULSE ENGINES: 2
MAX VELOCITY: WF-5
CRUISE VELOCITY: WF-3

ARMAMENT:

PHASER EMPLACEMENTS: 4
PHOTON TORPEDO BANKS: 2
DRONE RACK TYPE-G : 2
6 PERSON TRANSPORTER: 2
30 PERSON TRANSPORTER: 2
CARGO TRANSPORTER: 4
SHUTTLECRAFT: 6
FIGHTER SHUTTLES: 24
CREW 200
ENDURANCE AT L.Y.V. IN YEARS: 8

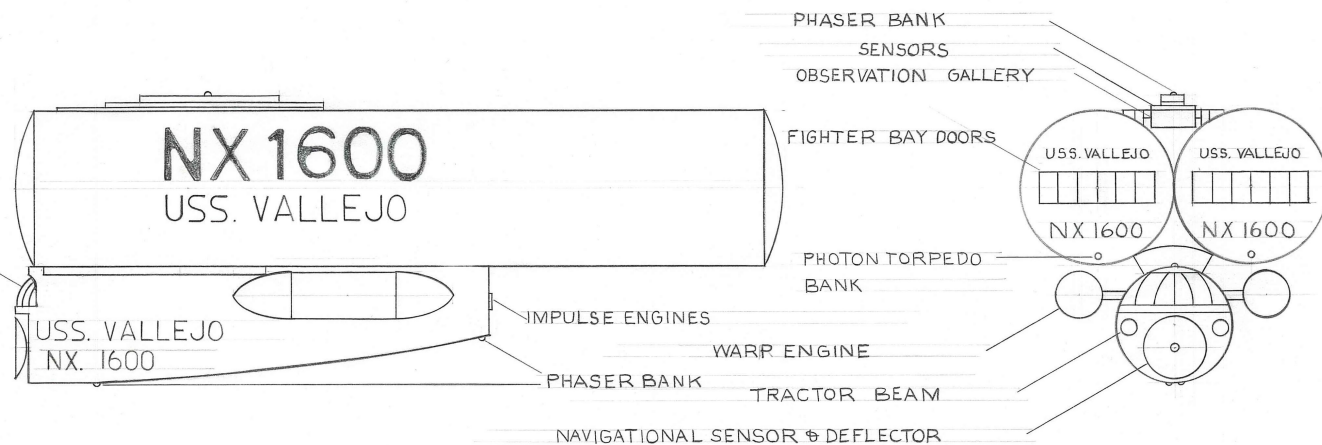
NOTES:

- 1: ALL DIMENSIONS IN METRIC SOL-III EARTH
- 2: INFORMATION CONCERNING THIS CLASS STARSHIP REFER TO SFD-TM 481410.
- 3: WARP ENGINE TYPE MODEL-SW 38/4-2 KT.
- 4: FIGHTER COMPLEMENT CAN VARY DEPENDING ON WHAT FIGHTERS BEING USED.
- 5: SHIP CARRIES AN ASSORTMENT OF DRONES FOR DRONE RACKS & FIGHTERS.



DEFLECTOR SHIELD GRID

TOP



HANGAR DOORS

NX 1600
USS. VALLEJO

USS. VALLEJO
NX. 1600

PHASER BANK
SENSORS
OBSERVATION GALLERY

FIGHTER BAY DOORS

PHOTON TORPEDO BANK

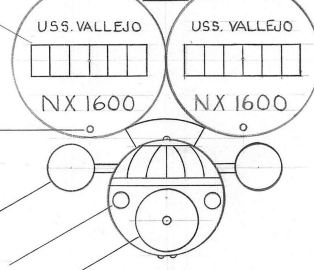
IMPULSE ENGINES

WARP ENGINE

PHASER BANK

TRACTOR BEAM

NAVIGATIONAL SENSOR & DEFLECTOR



USS. VALLEJO

USS. VALLEJO

NX 1600

NX 1600

PORT

BOW

STATUS: CLASSIFIED

STARDATE: 6210.15 VERIFIED: ADM. G CALKINS

EXECUTED: ENSIGN BERNARD GUIGNARD

APPROVED: SD: 6211.02 RELEASED: SD: 6301.02



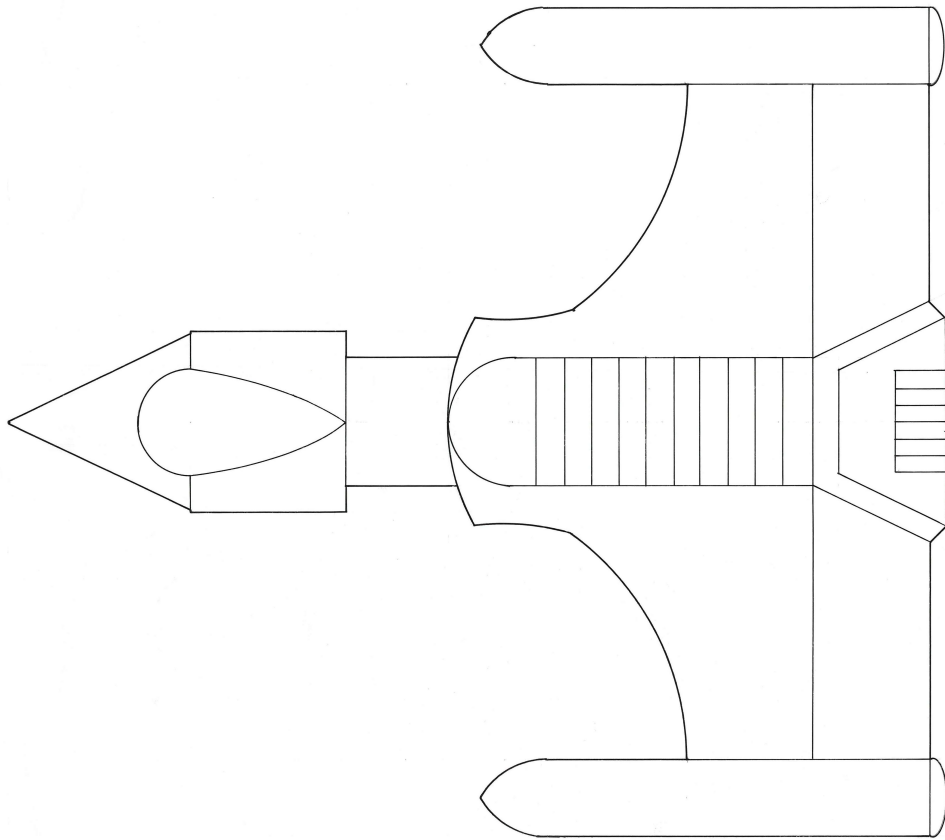
INTELLIGENCE DIVISION
FLEET HEADQUARTERS SOL III

GENERAL PLANS	KLINGON STAR SHIP
MODEL:	S.F.K.L.MK-E3
TYPE:	E3 ESCORT
CLASS:	SCALE: 5:1
VIEW:	SHEET: 1 OF 1

SPECIFICATIONS:

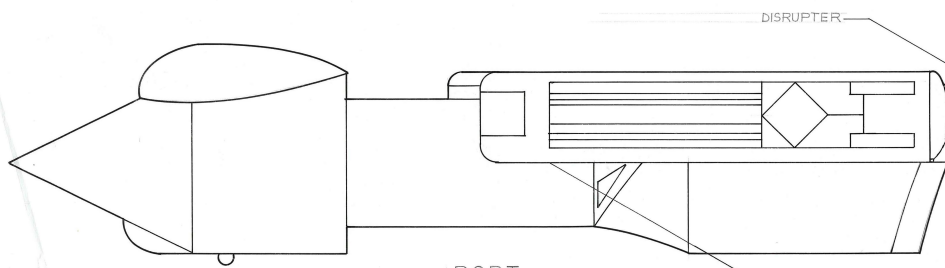
LENGTH:	68.2 M
WIDTH:	60.6 M
HEIGHT:	15.5 M
DEAD WEIGHT TONNAGE:	22,000 T
WARP DRIVE UNITS:	2
IMPULSE ENGINES:	2
CRUISE SPEED:	W/F 6
BATTLE SPEED:	W/F 7
9 PERSON TRANSPORTER:	1
22 PERSON TRANSPORTER:	1
SHUTTLE CRAFT:	1
CREW:	120
ARMAMENT:	
PHASER BANKS:	2
DISRUPTER BANK:	1
ANTI-DRONE-DRONE RACK:	1
KNOWN SHIPS:	
NOMAD	
OMEGA	
TAIFUN	
KHISTH	

NOTES:
 THE KLINGON E3 ESCORT A SMALL SHIP DESIGNED TO ESCORT LARGER SHIPS TO PROVIDE EXTRA FIREPOWER IN A COMBAT SITUATION. ILLUSTRATED IS THE FIRST E3 ESCORTS WITH A KAT'NGA TYPE HULL, LATER E3S WERE BUILT WITH THE FAMOUS DRELL TYPE HULL KEEPING THE SAME DIMENSIONS. INTELLIGENCE BELIEVES THAT THIS CHANGE IN HULL TYPE WAS DONE TO OBTAIN A BETTER MANUEVERABILITY THAT COMES WITH A DRELL HULL. THE FIRST ENCOUNTER WITH AN E3 ESCORT WAS WHEN A FLEET OF 6 E3S AND 2 D7 ATTACKED A SMALL CONVOY OF 3 CIVILIAN FREIGHTERS. ONE FREIGHTER MANAGED TO ESCAPE LONG ENOUGH TO TRANSMIT A SHORT REPORT ABOUT THE INCIDENT ALONG WITH HER MAYDAY. ALL CIVILIAN FREIGHTERS WERE LOST.

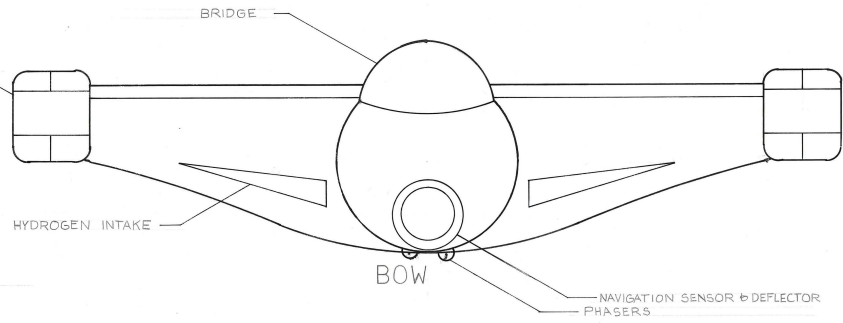


SHUTTLE CRAFT BAY

TOP



PORT



BOW

STATUS: CLASSIFIED	
STAR DATE: 6112.01	APPROVED: RADMI H. NOGURA
EXECUTED BY: ENSIGN B. GUIGNARD	
VERIFIED: SD 6501.04	RELEASED: 8603.28



INTELLIGENCE DIVISION
FLEET HEADQUARTERS 30L-III

GENERAL PLANS | KLINGON STARSHIP

MODEL: S.F.KL.MK.F7

TYPE: F7 FRIGATE

CLASS: KHEDIVE SCALE: 3:1

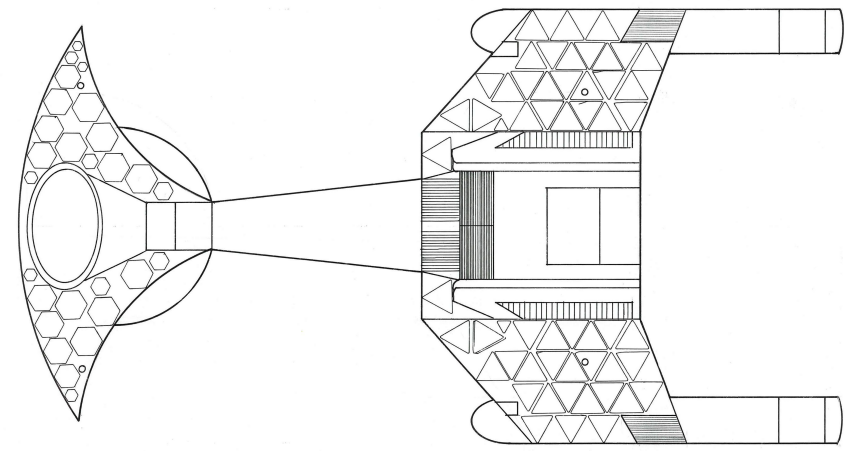
VIEW: TOP, PORT BOW SHEET: 1 OF 1

- SPECIFICATIONS:
- LENGTH: 100 M
 - WIDTH: 53 M
 - HEIGHT: 30 M
 - DEADWEIGHT TONNAGE: 62,000T
 - WARP DRIVE UNITS: 2
 - IMPULSE ENGINES: 2
 - CRUISE SPEED: W/F 7
 - BATTLE SPEED: W/F 9
 - 6 PERSON TRANSPORTER: 2
 - 18 PERSON TRANSPORTER: 1
 - 22 PERSON TRANSPORTER: 3
 - SHUTTLE CRAFT: 4
 - CREW: 225
- ARMAMENT:
- PHASER BANKS: 6
 - DISRUPTER BANKS: 2
 - DRONE RACKS: 2
- KNOWN SHIPS:
- _____ ARDENT
 - _____ BEAST
 - _____ KHEDIVE
 - _____ DASHER
 - _____ NOVA
 - _____ BLACKSTAR

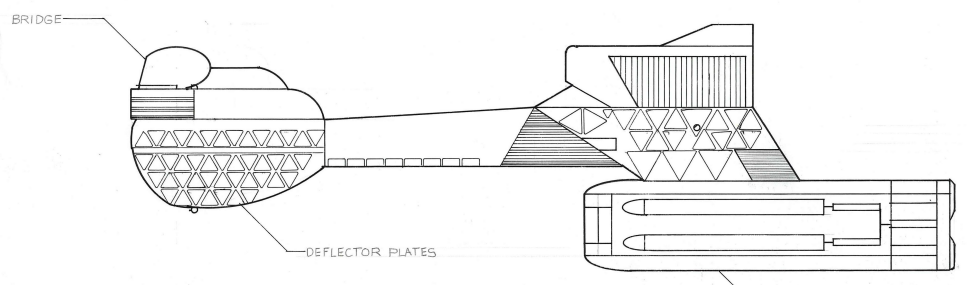
NOTES:

THE KLINGON F7 FRIGATE WAS REPORTED IN ACTION A FEW MONTHS AFTER THE FAMOUS ENCOUNTER WITH YGER. THIS SHIP COMBINES THE BEST FEATURES OF AN F5 FRIGATE AND THE NEW TECHNOLOGY OF THE K'TINGA CLASS CRUISERS. THE SHIP IS EQUIPPED WITH BETTER SHIELDING THAN THE OLDER F5 AND DOES HAVE BETTER SPEED AND FIRE POWER POTENTIAL. THESE SHIPS ARE SLATED TO TAKE OVER THE ROLE THAT THE F5 FRIGATES HAVE PLAYED. MANY OF THE SHIPS HAVE BEEN RENAMED WITH THE SAME NAME AS THEIR F5 PREDECESSORS.

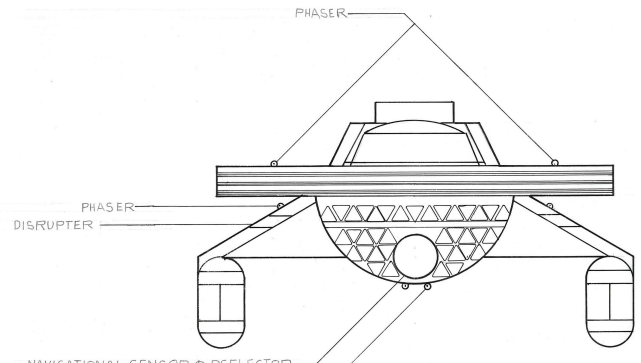
ALL SHIP CAPTAINS SHOULD REPORT SIGHTINGS OF THIS SHIP TO STAR FLEET INTELLIGENCE.



TOP



PORT



BOW

STATUS: CLASSIFIED

STAR DATE: 8511.07 APPROVED: RADM J.T. KIRK

EXECUTED: LT.COM B. GUIGNARD

VERIFIED: SD: 8511.09 RELEASED: SD: 8603.27