

STAR FLEET

SHIPS OF THE FASA ROLE-PLAYING GAME
DATAPACK 01

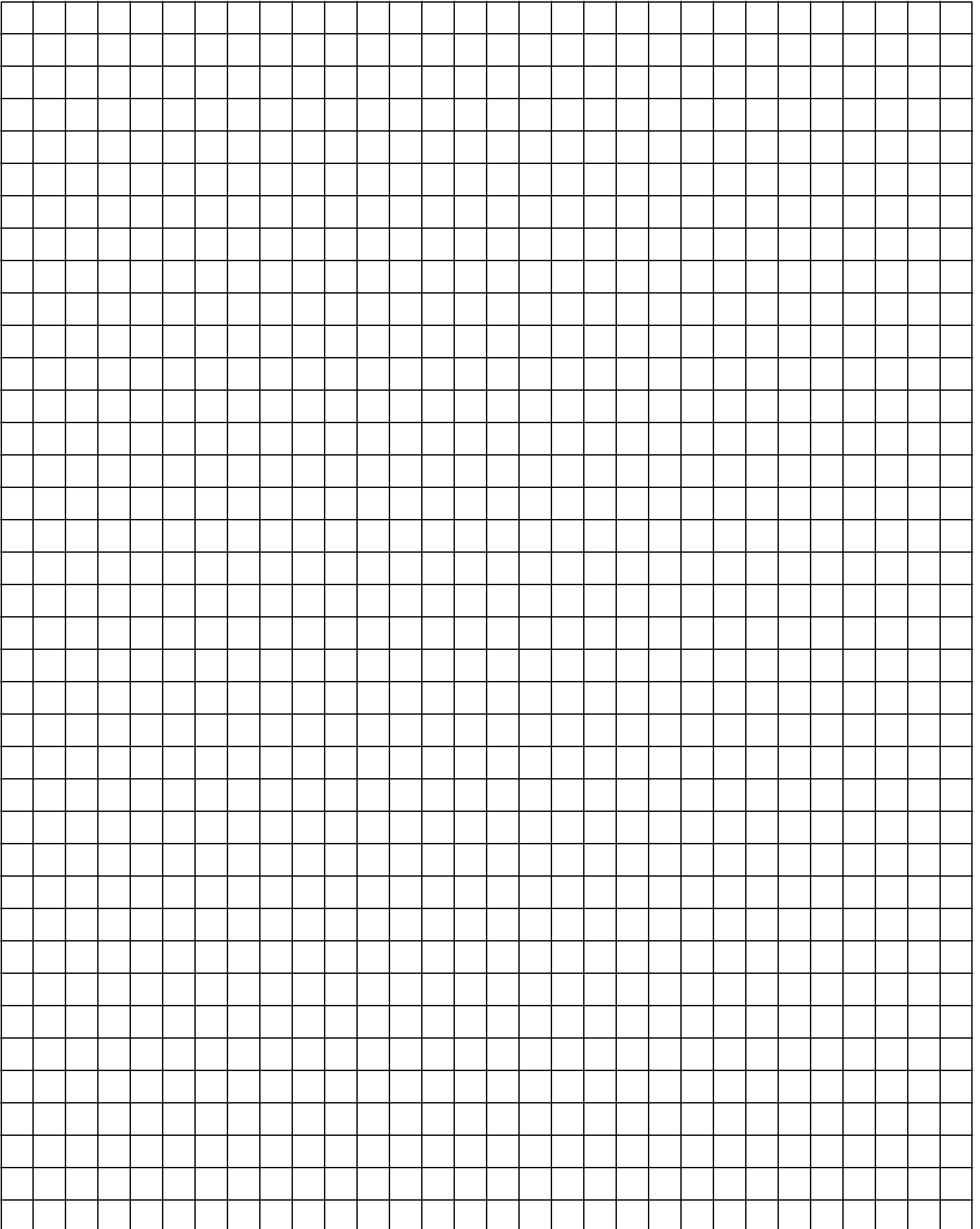
01

WRITTEN AND ILLUSTRATED BY NEALE DAVIDSON

STARFLEET TECHNICAL ORDER

AUTHENTICATED STARDATE 2/2811.15

TO 0101-2



STAR FLEET

SHIPS OF THE FASA ROLE-PLAYING GAME

DATAPACK ONE

FEDERATION CLASSIFIED

THIS MANUAL IS FOR THE SPECIFIC USE OF STAR FLEET ACADEMY CADETS AND CONTAINS SELECTED MATERIAL FROM THE DATA BANKS OF THE MASTER COMPUTER. UNDER THE LAWS OF THE UNITED FEDERATION OF PLANETS AND ITS MEMBER PLANETS: UNAUTHORIZED USE, OR REPRODUCTION, IN WHOLE OR IN PART, OF THESE TECHNICAL ORDERS OR ANY SUBSEQUENTLY ISSUED, WITHOUT THE WRITTEN PERMISSION OF STAR FLEET OR ITS PLANETARY AGENTS IS STRICTLY PROHIBITED.

TRAINING COMMAND
STAR FLEET ACADEMY

OFFICIAL VERSION FOR CADETS FROM
UNITED NATIONS, EARTH, SOL SYSTEM



STAR FLEET

SHIPS OF THE FASA ROLE-PLAYING GAME

DATAPACK ONE

SHIPS OF THE STAR FLEET TECHNICAL MANUAL

THE "SHIPS OF THE FASA ROLE-PLAYING GAME" IS A HARD FORMAT COMPILATION OF FEDERATION TECHNICAL ORDERS, ARTICLES, AND OTHER WORKS ISSUED BY STAR FLEET COMMAND FOR USE IN THEIR TRAINING PROGRAMS. THE ARTICLES SO PUBLISHED HEREIN ARE FOR FAMILIARIZATION PURPOSES AND ARE AVAILABLE TO TRAINEES, INSTRUCTORS, AND ENTHUSIASTS WITH APPROPRIATE SECURITY CLEARANCE.

ATTENTION: CERTAIN MATERIAL CONTAINED HEREIN IS CLASSIFIED AS SECURITY LEVEL TWO BY STAR FLEET COMMAND AND THE BUREAU OF INTELLIGENCE. UNAUTHORIZED USE OF SUCH MATERIAL IS PUNISHABLE BY COURT MARTIAL, IMPRISONMENT, OR OTHER MEASURES DEPENDING ON PLANETARY LAWS AS STIPULATED BY TREATY.

CHIEF EDITOR:

NEALE DAVIDSON, CIVILIAN ADVISOR, MASTERCOM
[WWW.PIXELSAGAS.COM]

MEMORY ALPHA AND STARFLEET MASTERCOM CATALOGING DATA:

UFP/SFD DTA RS:379260-3

COPYRIGHT ©2007 NEALE DAVIDSON

MATERIAL HEREIN BASED ON MATERIAL WITHIN:

STAR TREK: FEDERATION STARSHIP RECOGNITION MANUAL 1ST EDITION ©1982 FASA, INC

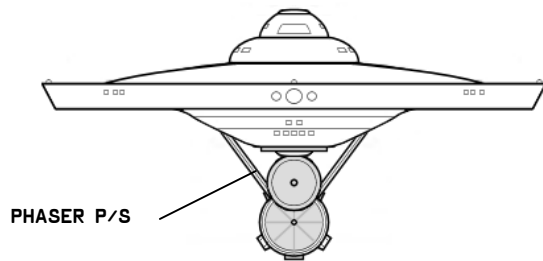
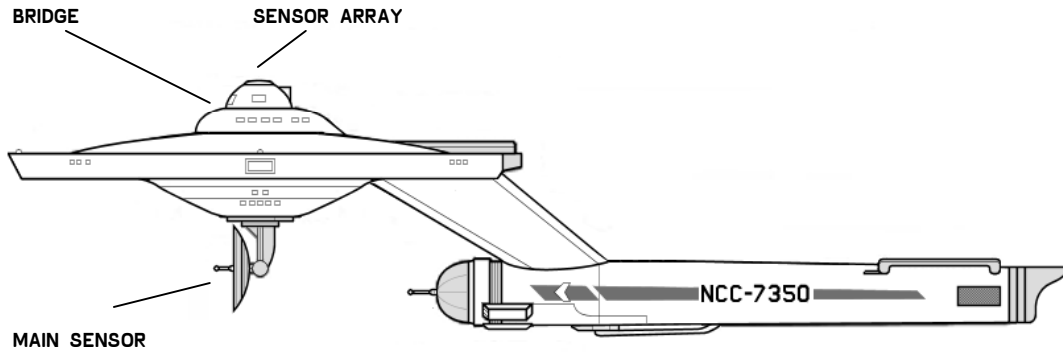
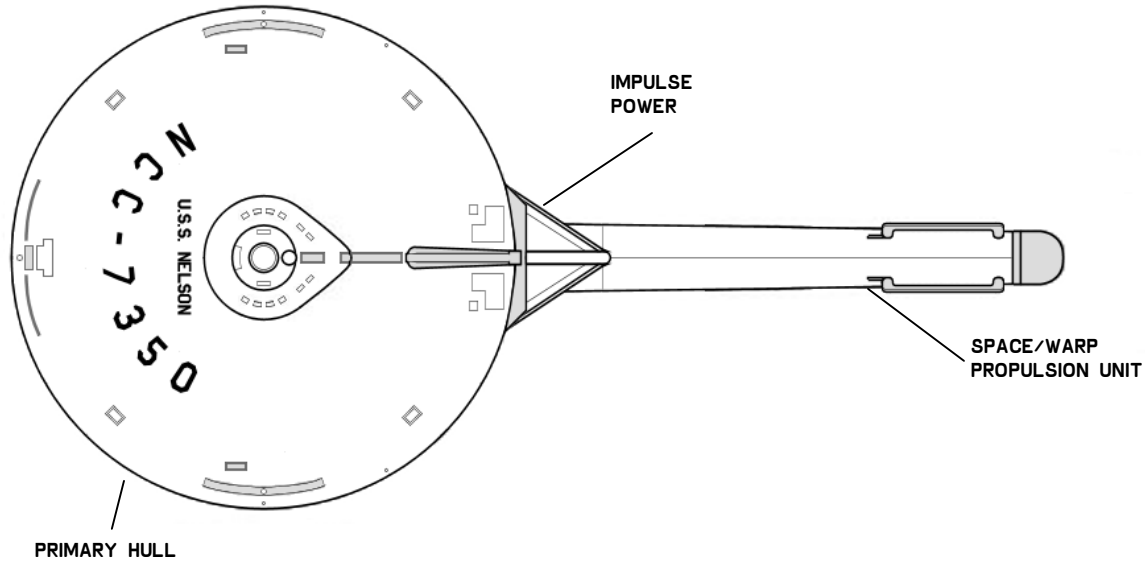
STAR TREK: FEDERATION STARSHIP RECOGNITION MANUAL 1ST EDITION ©1983 FASA, INC

THIS DOCUMENT HAS BEEN ESTABLISHED FOR INFORMATIONAL AND ENTERTAINMENT PURPOSES ONLY. NO INFRINGEMENT OF COPYRIGHT OR TRADEMARK IS INTENDED.

FOR MICHEAL G. DAVIDSON

SCOUT CLASS [SC]

NELSON CLASS STARSHIPS



STD. SHIP'S COMPLEMENT:

OFFICERS (COMMAND) 21
 CREW (ENSIGN GRADE) 155

SEE BOOKLET OF GENERAL PLANS FOR DETAILS

PARTICULARS:

DEADWEIGHT TONNAGE	79,700MT
STD. RANGE	22 YEARS AT L.Y.V
MAX. SAFE CRUISING SPEED	W/F 8
EMERGENCY SPEED	W/F 9
MAIN PHASERS	1 BANKS / 2 EACH
PHOTON TORPEDOES	0
LENGTH OVERALL	263M
BREADTH OVERALL	127M
HEIGHT OVERALL	61M
PRIMARY HULL DIA.	127M
PROP. UNIT L.O.A.	161M
PROP. UNIT BREADTH.	15M

STARFLEET TECHNICAL ORDER

AUTHENTICATED STARDATE 2/281115

TO 0101-6

SCOUT CLASS

AUTHORIZED CONSTRUCTION

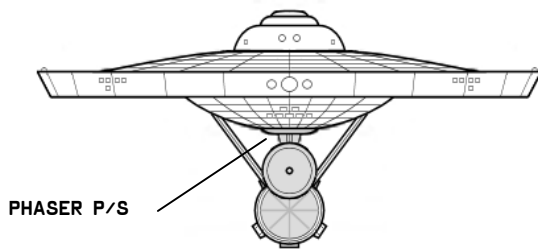
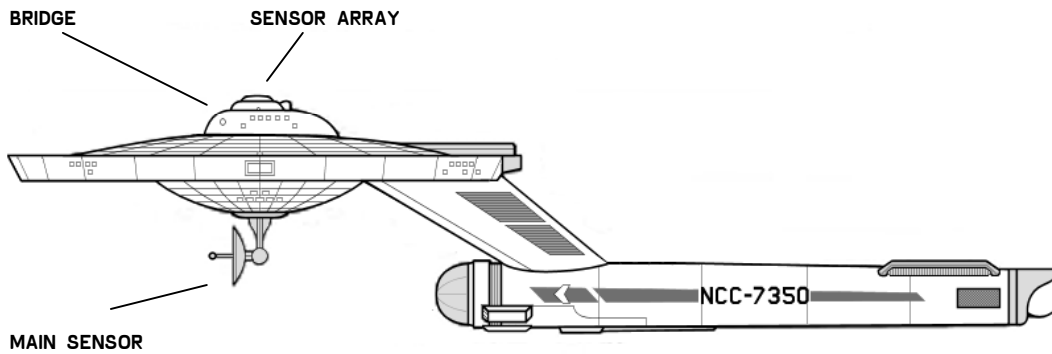
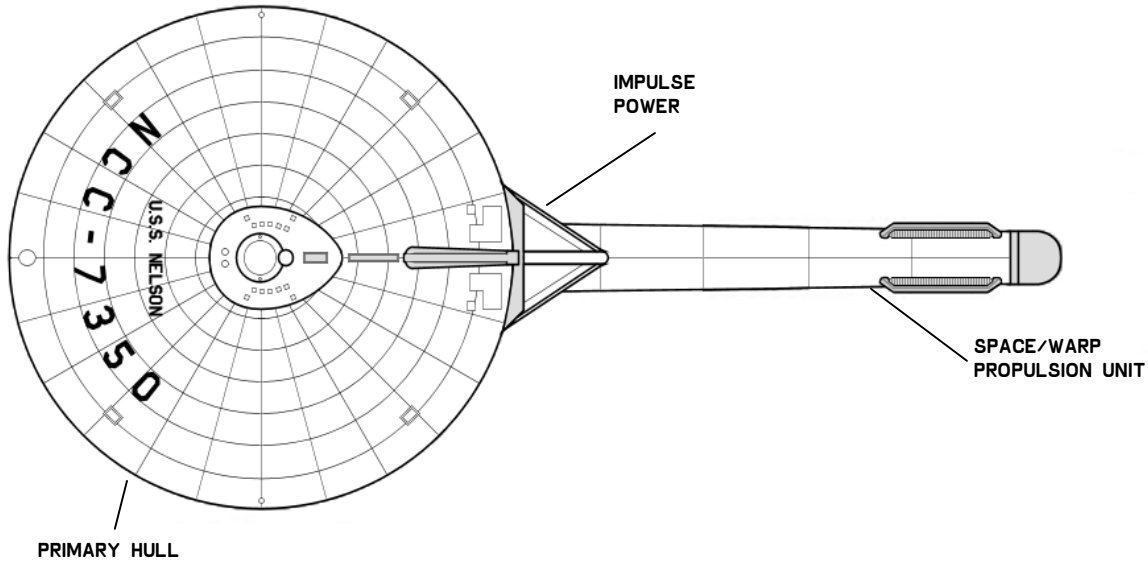
THE FOLLOWING SHIPS OF THE NELSON CLASS SCOUT [SC] WERE AUTHORIZED BY THE STAR FLEET APPROPRIATION OF STARDATE 1/8804:

NELSON	NCC-7350*	FITCH	NCC-7378	KNIGHT	NCC-7406**
GLEAVES	NCC-7351	CORRY	NCC-7379	DORAN	NCC-7407
MOISANEN	NCC-7352	HOBSON	NCC-7380**	EARLE*	NCC-7408
NIBLACK	NCC-7353**	AARON	NCC-7381	BUTLER	NCC-7409
LIVERMORE	NCC-7354	WARD	NCC-7382	GHERARDI	NCC-7410
EBERLE	NCC-7355	BUCHANAN	NCC-7383	HERNDON	NCC-7411
PLUNKETT	NCC-7356**	DUNCAN	NCC-7384**	SHUBRICK	NCC-7412
KEARNY	NCC-7357	LANSDOWNE	NCC-7385	BEATTY	NCC-7413**
MANZER	NCC-7358	LARDNER	NCC-7386	TILLMAN	NCC-7414**
GWIN	NCC-7359	MACCALLA	NCC-7387	STEVENSON	NCC-7415
MEREDITH	NCC-7360	MERVINE	NCC-7388	STOCKTOWN	NCC-7416**
GRAYSON	NCC-7361	QUICK	NCC-7389	THORN	NCC-7417
MONSSEN	NCC-7362	CARMICK	NCC-7390	TURNER	NCC-7418
WOOLSEY	NCC-7363	DOYLE	NCC-7391	PAULDING	NCC-7419
LUDLOW	NCC-7364	ENDICOTT	NCC-7392	DRAYTON	NCC-7420**
EDISON	NCC-7365	MCCOOK	NCC-7393	ROE	NCC-7421
ERICSSON	NCC-7366	FRANKFORD	NCC-7394	TERRY	NCC-7422
WILKES	NCC-7367**	DAVISON	NCC-7395	PERKINS	NCC-7423
NICHOLSON	NCC-7368	EDWARDS	NCC-7396**	STERETT	NCC-7424
SWANSON	NCC-7369	GLENNON	NCC-7397	MCCALL	NCC-7425
INGRAHAM	NCC-7370	JEFFERS	NCC-7398	BURROWS	NCC-7426
BRISTOL	NCC-7371	MADDOX	NCC-7399	WARRINGTON	NCC-7427**
ELLYSON	NCC-7372	BALDWIN	NCC-7400**	MAYRANT	NCC-7428
HAMBLETON	NCC-7373**	HARDING	NCC-7401	MONHAGHAN	NCC-7429
RODMAN	NCC-7374	SATTERLEE	NCC-7402**	TRIPPE	NCC-7430
EMMONS	NCC-7375	THOMPSON	NCC-7403	WALKE	NCC-7431
MACOMB	NCC-7376	WELLES	NCC-7404	AMMEN	NCC-7432
FORREST	NCC-7377	COWIE	NCC-7405	FANNING	NCC-7433**

*CLASS SHIP. **LOST IN THE LINE OF DUTY. ALL NAMES PRECEDED WITH "U.S.S."

SCOUT CLASS (SC-A)

NELSON CLASS STARSHIPS [MK-2]



STD. SHIP'S COMPLEMENT:

OFFICERS (COMMAND) 21
 CREW (ENSIGN GRADE) 155

SEE BOOKLET OF GENERAL PLANS FOR DETAILS

PARTICULARS:

DEADWEIGHT TONNAGE	79,700MT
STD. RANGE	22 YEARS AT L.Y.V
MAX. SAFE CRUISING SPEED	W/F 8
EMERGENCY SPEED	W/F 9.9
MAIN PHASERS	1 BANKS / 2 EACH
PHOTON TORPEDOES	0
LENGTH OVERALL	263M
BREADTH OVERALL	127M
HEIGHT OVERALL	61M
PRIMARY HULL DIA.	127M
PROP. UNIT L.O.A.	161M
PROP. UNIT BREADTH.	15M

TO 0101-8

SCOUT CLASS

AUTHORIZED CONSTRUCTION

THE FOLLOWING SHIPS OF THE NELSON CLASS SCOUT [SC-A] WERE AUTHORIZED BY THE STAR FLEET APPROPRIATION OF STARDATE 1/9702:

JARVIS	NCC-7434	RENAN	NCC-7460	AVEROF	NCC-7486
HENLEY	NCC-7435	QUINET	NCC-7461	HELLE	NCC-7487**
BEALE	NCC-7436**	WALDECK-ROUSSEAU	NCC-7462	ASPIS	NCC-7488
JOUETT	NCC-7437	DESCARTES	NCC-7463	NIKI	NCC-7489
JENKINS	NCC-7438	FREANT	NCC-7464	DOXA	NCC-7490
CASSIN	NCC-7439**	DU CHAYLA	NCC-7465	VELOS	NCC-7491
CUMMINGS	NCC-7440	ASSAS	NCC-7466**	THYELLA	NCC-7492
DOWNES	NCC-7441	ENTRECASTEAUX	NCC-7467	LONCHI	NCC-7493
DUNCAN	NCC-7442	GUICHEN	NCC-7468	NAFKRATOUSA	NCC-7494
PORTER	NCC-7443	CHATEAURENAULT	NCC-7469	SPENDONI	NCC-7495
SELFRIDGE	NCC-7444	ESTREES	NCC-7470	AETOS	NCC-7496**
MCDUGAL	NCC-7445**	GRAVIERRE	NCC-7471	HYERAX	NCC-7497
WINSLOW	NCC-7446	CASABIANCA	NCC-7472	PANTHER	NCC-7498
PHELPS	NCC-7447	CASSINI	NCC-7473**	KERAVNOS	NCC-26079
CLARK	NCC-7448	IBERVILLE	NCC-7474	NEA GENEVA	NCC-26080
MOFFETT	NCC-7449	DUNOIS	NCC-7475	DELFIN	NCC-26081
BALCH	NCC-7450**	FOUDRE	NCC-7476**	XIFIAS	NCC-26082
DUPLEIX	NCC-7451	NORD	NCC-7477	SETTSU	NCC-26083
KLEBER	NCC-7452**	CAMPINAS	NCC-7478	SETSO	NCC-26084
AUDE	NCC-7453	PACKETS	NCC-7479	KAWACHI	NCC-26085
CONDE	NCC-7454	ROUEN	NCC-7480	YAMASHIRO	NCC-26086
MARSEILLAISE	NCC-7455	KILKIS	NCC-7481	ICHI	NCC-26087
GAMBETTA	NCC-7456	LEMNOS	NCC-7482	HYUGA	NCC-26088
FERRY	NCC-7457	PSARA	NCC-7483	HARUNA	NCC-26089
HUGO	NCC-7458	HYDRA	NCC-7484**	HIEI	NCC-26090
MICHELET	NCC-7459**	SPETSAI	NCC-7485	TSUKUBA	NCC-26091

THE FOLLOWING REPLACEMENTS FOR THE NELSON [MK-1] CLASS WERE AUTHORIZED BY STAR FLEET APPROPRIATION OF STARDATE 1/9702:

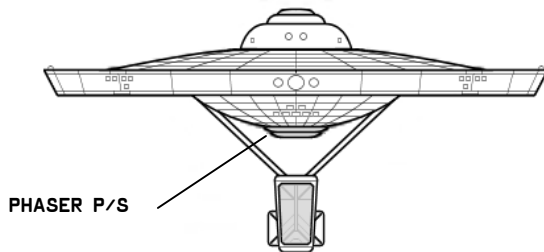
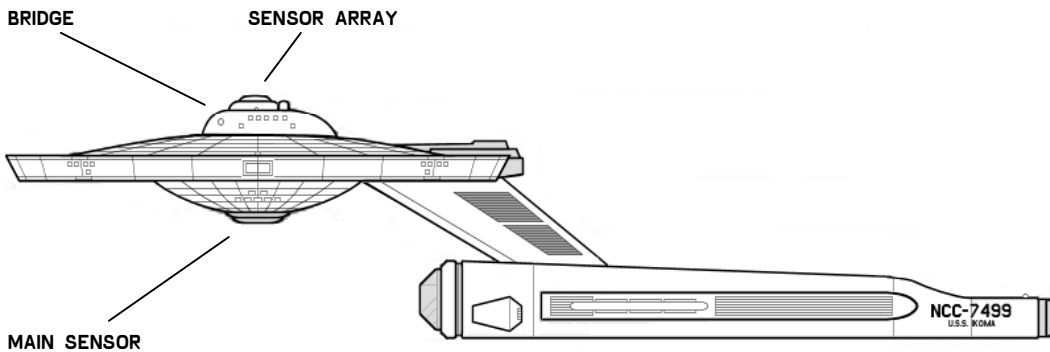
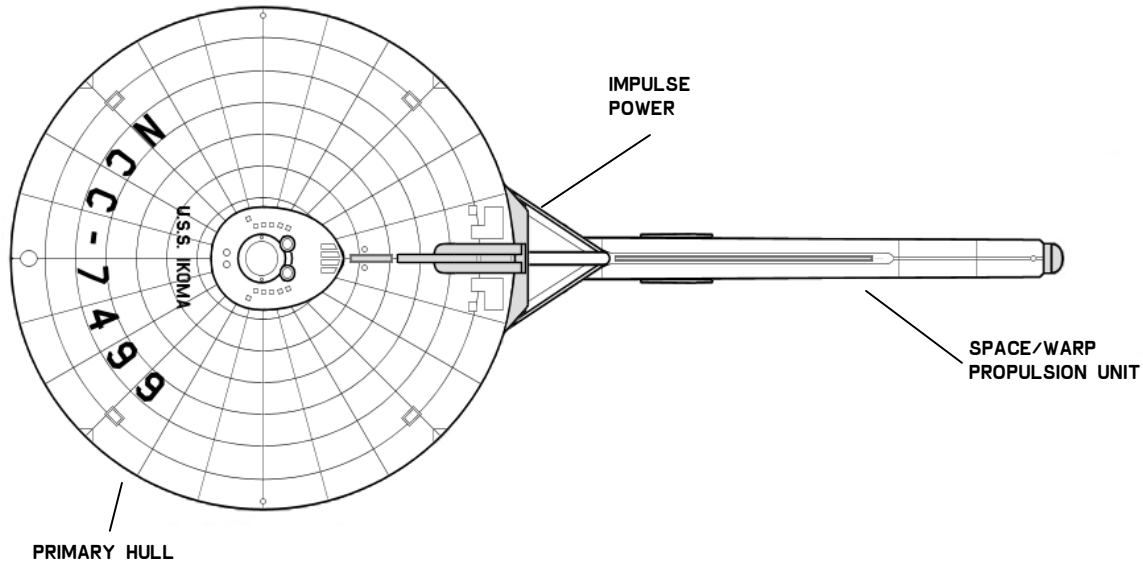
NIBLACK II	NCC-26068	WELKES II	NCC-26072	BEATTY II	NCC-26076
HAMBLETON II	NCC-26069	PLUNKETT II	NCC-26073	TILLMAN II	NCC-26077
SATTERLEE II	NCC-26070	DUNCAN II	NCC-26074	DRAYTON II	NCC-26078
EDWARDS II	NCC-26071	BALDWIN II	NCC-26075		

IN ADDITION, 29 NELSON CLASS STARSHIPS WERE CONSTRUCTED FOR CIVILIAN USE AND BEAR REGISTRIES FILED WITH THE APPROPRIATE FEDERATION CIVILIAN OPERATIONS OFFICES. EACH OF THESE SHIPS POSSES AN 'NAR' TYPE REGISTRY.

*CLASS SHIP. **LOST IN THE LINE OF DUTY. ALL NAMES PRECEDED WITH 'U.S.S.'

SCOUT CLASS (SC-B)

KOMA CLASS STARSHIPS (MK-3)



PARTICULARS:

DEADWEIGHT TONNAGE	79,700MT
STD. RANGE	22 YEARS AT L.Y.V
MAX. SAFE CRUISING SPEED	W/F 8
EMERGENCY SPEED	W/F 9.9
MAIN PHASERS	1 BANKS / 2 EACH
PHOTON TORPEDOES	0
LENGTH OVERALL	263M
BREADTH OVERALL	127M
HEIGHT OVERALL	61M
PRIMARY HULL DIA.	127M
PROP. UNIT L.O.A.	161M
PROP. UNIT BREADTH.	15M

STD. SHIP'S COMPLEMENT:

OFFICERS (COMMAND)	21
CREW (ENSIGN GRADE)	155

SEE BOOKLET OF GENERAL PLANS FOR DETAILS

TO 0101-10

SCOUT CLASS

AUTHORIZED CONSTRUCTION

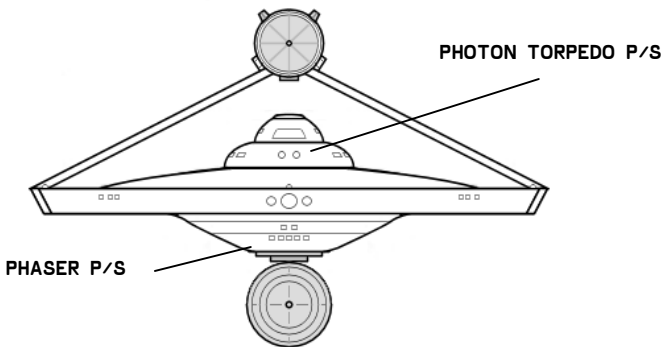
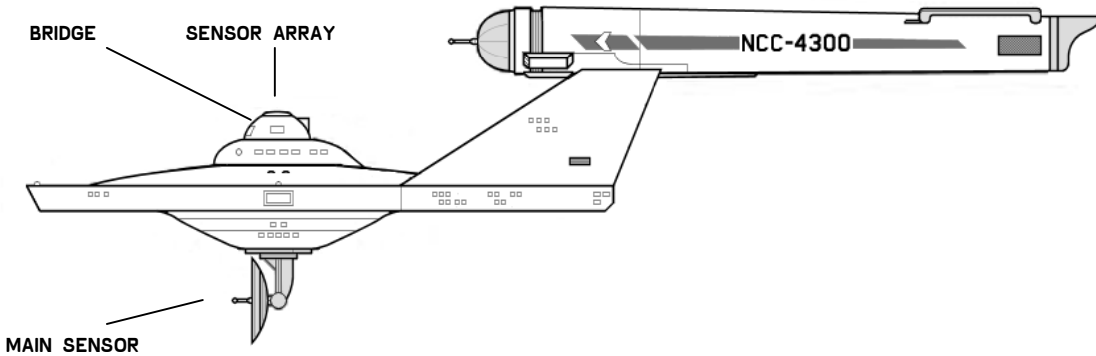
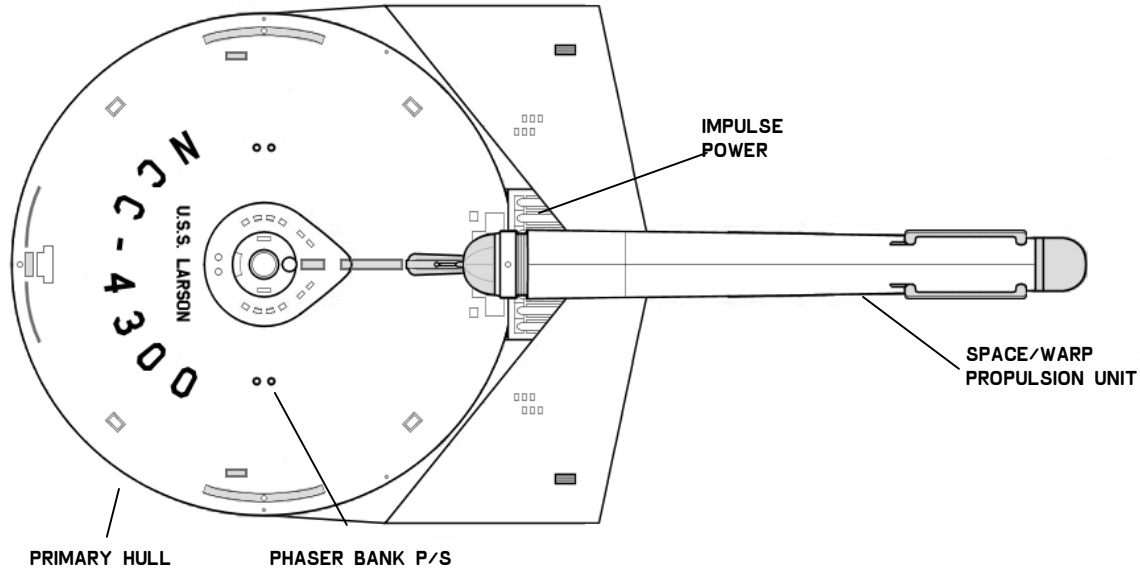
THE FOLLOWING SHIPS OF THE IKOMA CLASS SCOUT [SC-B] WERE AUTHORIZED BY THE STAR FLEET APPROPRIATION OF STARDATE 2/0708:

IKOMA	NCC-7499	KATORI	NCC-26094	SAGAMI	NCC-26097
KURAMA	NCC-26092	SAOTOME	NCC-26095	HIZEN	NCC-26098
IBUKI	NCC-26093	AKI	NCC-26096	HIBUKI	NCC-26099
TENDO	NCC-26094				

*CLASS SHIP. **LOST IN THE LINE OF DUTY. ALL NAMES PRECEDED WITH "U.S.S."

DESTROYER CLASS (DD)

LARSON CLASS STARSHIPS



STD. SHIP'S COMPLEMENT:

OFFICERS (COMMAND) 20
 CREW (ENSIGN GRADE) 175

SEE BOOKLET OF GENERAL PLANS FOR DETAILS

PARTICULARS:

DEADWEIGHT TONNAGE	82,400MT
STD. RANGE	22 YEARS AT L.Y.V
MAX. SAFE CRUISING SPEED	W/F 7
EMERGENCY SPEED	W/F 9
MAIN PHASERS	3 BANKS / 2 EACH
PHOTON TORPEDOES	2 BANKS
LENGTH OVERALL	269M
BREADTH OVERALL	134M
HEIGHT OVERALL	62M
PRIMARY HULL DIA.	127M
PROP. UNIT L.O.A.	161M
PROP. UNIT BREADTH.	15M

TO 0101-12

DESTROYER CLASS

AUTHORIZED CONSTRUCTION

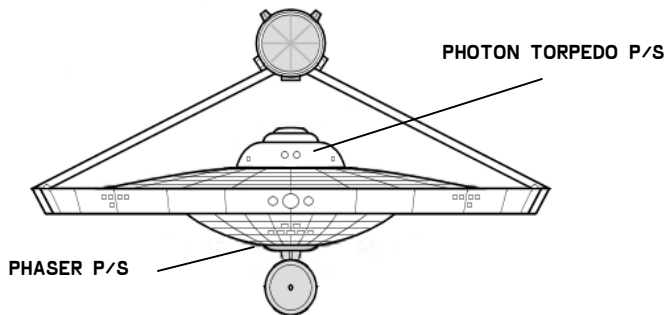
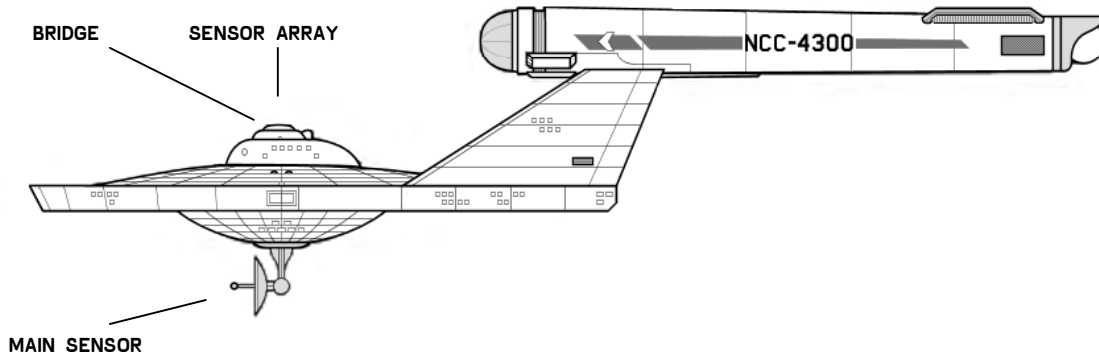
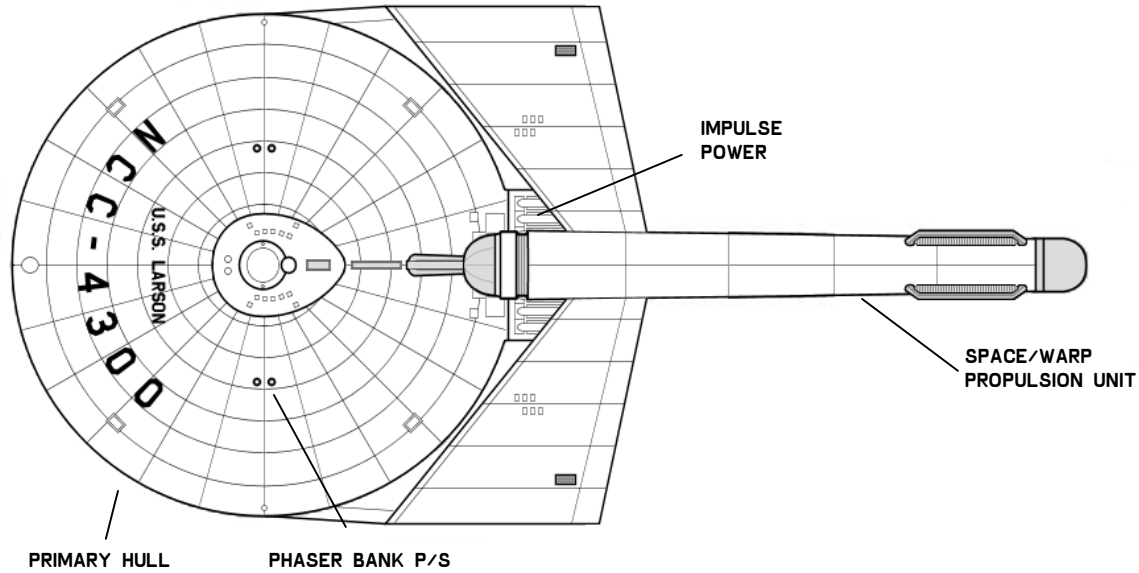
THE FOLLOWING SHIPS OF THE LARSON CLASS DESTROYER [00] WERE AUTHORIZED BY THE STAR FLEET APPROPRIATION OF STARDATE 1/8801:

LARSON	NCC-4300*	THEBES	NCC-4336**	ACRE	NCC-4372**
MIDWAY	NCC-4301	HAMMURABI	NCC-4337**	RAJENDRA	NCC-4373
CORAL SEA	NCC-4302	TROY	NCC-4338**	BAHU	NCC-4374
TANNENBERG	NCC-4303	CHOU	NCC-4339	GENGHIS KHAN	NCC-4375
TRAFALGAR	NCC-4304	XERXES	NCC-4340	LIEGNITZ	NCC-4376
THELENTH	NCC-4305	SALAMIS	NCC-4341	CROMWELL	NCC-4377
WATERLOO	NCC-4306**	XENOPHON	NCC-4342	JOAN D'ARC	NCC-4378
BORODINO	NCC-4307	JULIUS CAESAR	NCC-4343	SANMIGOU	NCC-4379**
AUSTERLITZ	NCC-4308**	NAPOLEON	NCC-4344	BABUR	NCC-4380**
NORMANDY	NCC-4309**	COCHISE	NCC-4345	HIDEYOSHI	NCC-4381
MARATHON	NCC-4310	LUTZEN	NCC-4346	BAYINNAUNG	NCC-4382**
PHARSALUS	NCC-4311**	SUN TZU	NCC-4347	CORTEZ	NCC-4383
CRECY	NCC-4312	DEMETRIUS	NCC-4348	TENOCHTITLAN	NCC-4384
POITERS	NCC-4313	FRAMEE	NCC-4349	ADOLPHUS	NCC-4385
AGINCOURT	NCC-4314	HANNIBAL	NCC-4350	DE TOURVILLE	NCC-4386**
BLLENHEIM	NCC-4315	THERMOPYLAE	NCC-4351	BREITENFELD	NCC-4387
TORGAU	NCC-4316	SCIPIO	NCC-4352	BRADLEY	NCC-4388
EYLAU	NCC-4317**	CANNAE	NCC-4353	BLAKE	NCC-4389
DURANDAL	NCC-4318	ALESIA	NCC-4354	ESCOPETTE	NCC-4390
LEYTE	NCC-4319	MARC ANTONY	NCC-4355	NHAT-LE	NCC-4391
LEIPZIG	NCC-4320	LIU PANG	NCC-4356	MARLBOROUGH	NCC-4392
FAUCONNEAU	NCC-4321	CONSTANTINE	NCC-4357	ALI BEY	NCC-4393**
BUENA VISTA	NCC-4322	ALARIC	NCC-4358**	WASHINGTON	NCC-4394
GARBO	NCC-4323	PIGUE	NCC-4359	WELLINGTON	NCC-4395
GETTYSBURG	NCC-4324	ORLEANS	NCC-4360**	FLAMBERGE	NCC-4396
CASTINIAN	NCC-4325	PENDRAGON	NCC-4361	LAFAYETTE	NCC-4397
SHILOH	NCC-4326	JUSTINIAN	NCC-4362	MURAT	NCC-4398
GALLIPOLI	NCC-4327	TIBERIUS	NCC-4363	NEY	NCC-4399**
JUTLAND	NCC-4328	CHARLEMAGNE	NCC-4364	VON BLUCHER	NCC-4400
ANZIO	NCC-4329**	YATAGAN	NCC-4365	KHARTOUM	NCC-4401
HALLEBARDE	NCC-4330	JAUHUR	NCC-4366	TECUMSEH	NCC-4402**
CORREGIDOR	NCC-4331	ALEXANDER	NCC-4367	PERRY	NCC-4403
GUADALCANAL	NCC-4332	SALADIN	NCC-4368	HASTINGS	NCC-4404
IWO JIMA	NCC-4333**	HARDRAADE	NCC-4369	JACKSON	NCC-4405**
OKINAWA	NCC-4334	PERTUISANE	NCC-4370	PERTUISANE	NCC-4406
RAMSES	NCC-4335	FREDERICK	NCC-4371	SAN JACINTO	NCC-4407

*CLASS SHIP. **LOST IN THE LINE OF DUTY. ALL NAMES PRECEDED WITH "U.S.S."

DESTROYER CLASS (DD-A)

LARSON CLASS STARSHIPS [MK-2]



PARTICULARS:

DEADWEIGHT TONNAGE	80,750MT
STD. RANGE	22 YEARS AT L.Y.V
MAX. SAFE CRUISING SPEED	W/F 7
EMERGENCY SPEED	W/F 9
MAIN PHASERS	3 BANKS / 2 EACH
PHOTON TORPEDOES	2 BANKS
LENGTH OVERALL	269M
BREADTH OVERALL	134M
HEIGHT OVERALL	62M
PRIMARY HULL DIA.	127M
PROP. UNIT L.O.A.	161M
PROP. UNIT BREADTH.	15M

STD. SHIP'S COMPLEMENT:

OFFICERS (COMMAND)	20
CREW (ENSIGN GRADE)	175

SEE BOOKLET OF GENERAL PLANS FOR DETAILS

TO 0104-14

DESTROYER CLASS

AUTHORIZED CONSTRUCTION

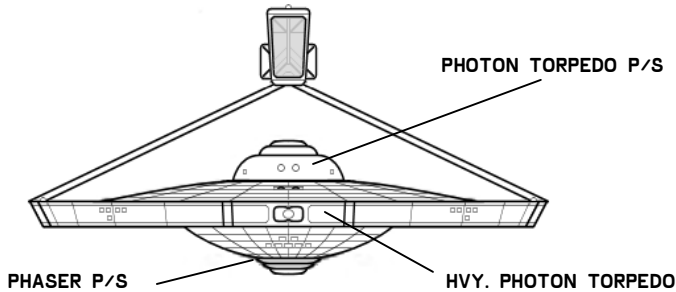
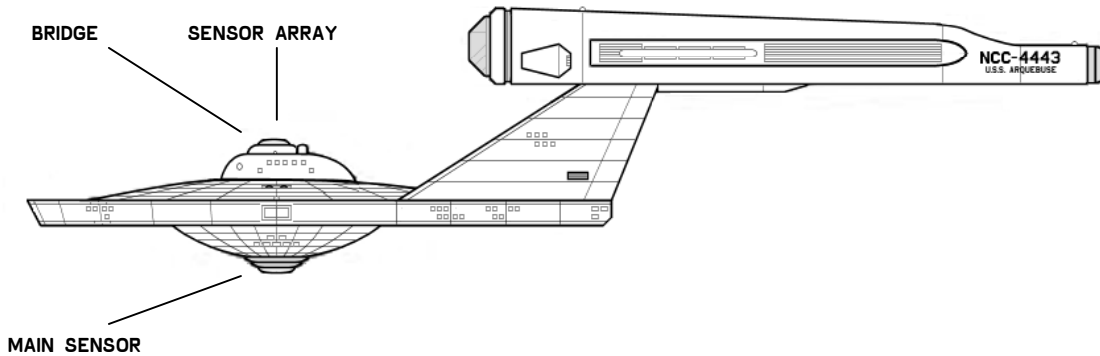
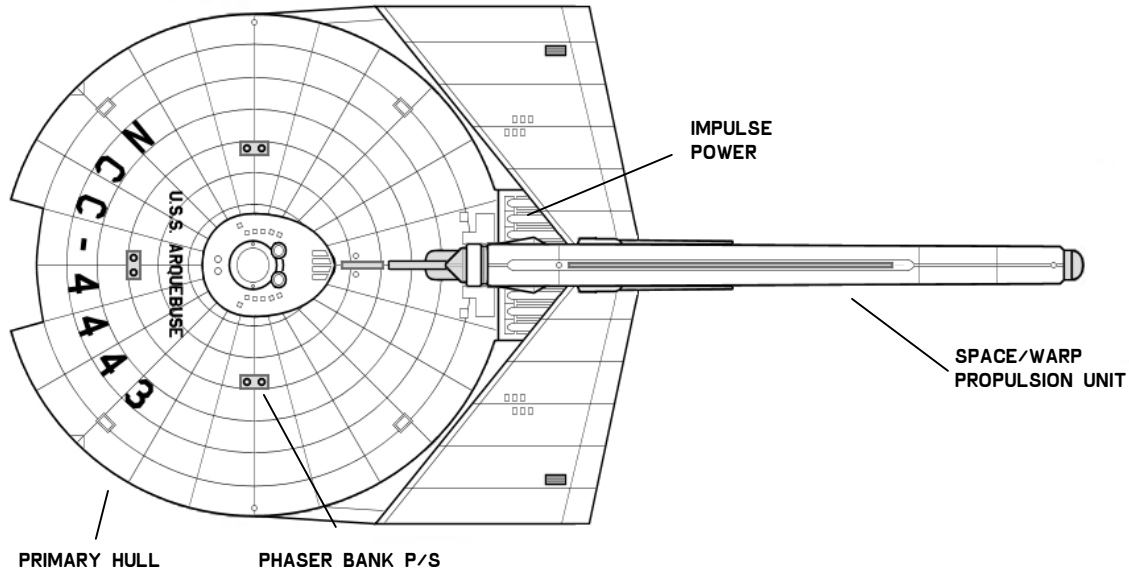
THE FOLLOWING SHIPS OF THE LARSON CLASS DESTROYER (DD-A) WERE AUTHORIZED BY THE STAR FLEET APPROPRIATION OF STARDATE 1/9804:

PALO ALTO	NCC-4408	DREYFUS	NCC-4420	PILSUDSKI	NCC-4432
SCOTT	NCC-4409**	MAHDI	NCC-4421**	PORT ARTHUR	NCC-4433
ROMMELL	NCC-4410	RORKES DRIFT	NCC-4422	TSHUSHIMA	NCC-4434**
BOLIVAR	NCC-4411**	SEMMES	NCC-4423**	MARNE	NCC-4435
SAN MARTIN	NCC-4412	CHIEF JOSEPH	NCC-4424	RICHTOFEN	NCC-4436
BOYACA	NCC-4413**	RAPIERE	NCC-4425	MACARTHUR	NCC-4437
DEWEY	NCC-4414	HINDENBURG	NCC-4426	MONTGOMERY	NCC-4438**
LEE	NCC-4415	FOCH	NCC-4427**	NIMITZ	NCC-4439
GRANT	NCC-4416	PERSHING	NCC-4428	ZHUKOV	NCC-4440
MOLTKE	NCC-4417	NICHOLAS	NCC-4429	EISENHOWER	NCC-4441**
NAKHIMOV	NCC-4418**	KERMAL	NCC-4430	WAVELL	NCC-4442**
BALAKLAVA	NCC-4419	OYAMA	NCC-4431		

*CLASS SHIP. **LOST IN THE LINE OF DUTY. ALL NAMES PRECEDED WITH "U.S.S."

DESTROYER CLASS (DD-B)

ARQUEBUSE CLASS STARSHIPS (MK-3)



STD. SHIP'S COMPLEMENT:

OFFICERS (COMMAND) 20
 CREW (ENSIGN GRADE) 175

SEE BOOKLET OF GENERAL PLANS FOR DETAILS

PARTICULARS:

DEADWEIGHT TONNAGE	87,000MT
STD. RANGE	22 YEARS AT L.Y.V
MAX. SAFE CRUISING SPEED	W/F 7
EMERGENCY SPEED	W/F 9
MAIN PHASERS	3 BANKS / 2 EACH
PHOTON TORPEDOES	2 BANKS, 1 H. BANK
LENGTH OVERALL	269M
BREADTH OVERALL	134M
HEIGHT OVERALL	62M
PRIMARY HULL DIA.	127M
PROP. UNIT L.O.A.	161M
PROP. UNIT BREADTH.	15M

STARFLEET TECHNICAL ORDER

AUTHENTICATED STARDATE 2/281115

TO 0104-16

DESTROYER CLASS

AUTHORIZED CONSTRUCTION

THE FOLLOWING SHIPS OF THE ARQUEBUSE CLASS DESTROYER [DD-B] WERE AUTHORIZED BY THE STAR FLEET APPROPRIATION OF STARDATE 2/2104:

ARQUEBUS	NCC-4443*	KURSK	NCC-4447	DAYAN	NCC-4451*
DOENITZ	NCC-4444	AXANAR	NCC-4448	DOERMANN	NCC-4452
TEDDER	NCC-4445	COLLINSWILL	NCC-4449	CHRYSE	NCC-4453
CARABINE	NCC-4446	INCHON	NCC-4450		

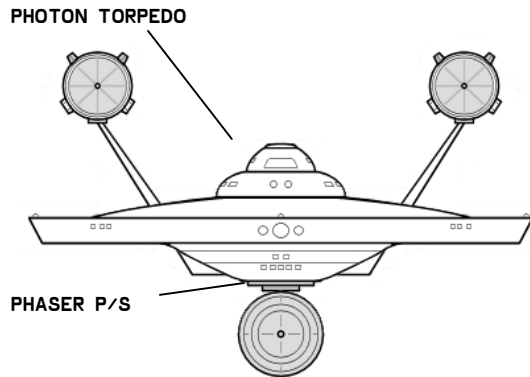
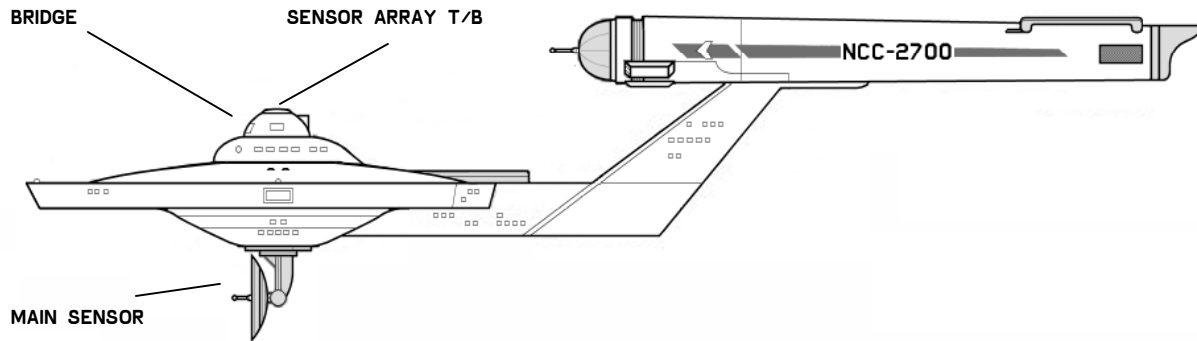
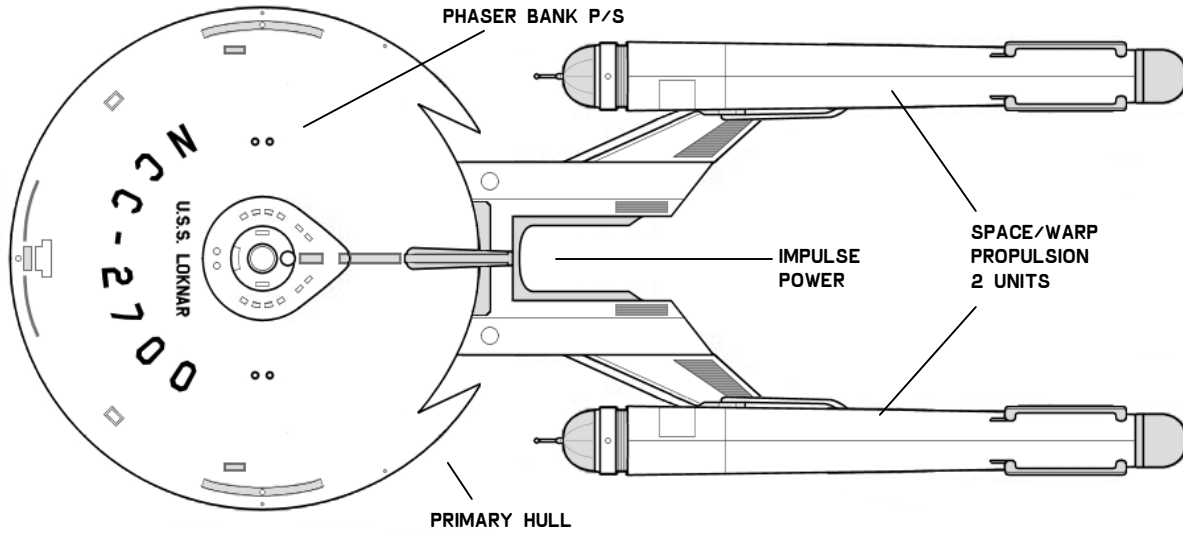
THE FOLLOWING REPLACEMENTS FOR THE LARSON [MK-1] CLASS WERE AUTHORIZED BY STAR FLEET APPROPRIATION OF STARDATE 2/2104:

WATERLOO II	NCC-4476	EYLAU II	NCC-4480	TROY II	NCC-4484
AUSTERLITZ II	NCC-4477	IWO JIMA II	NCC-4481	ALARIC II	NCC-4485
NORMANDY II	NCC-4478	THEBES II	NCC-4482	ORLEANS II	NCC-4486
ANZIO II	NCC-4479	HAMMURABI II	NCC-4483		

*CLASS SHIP. **LOST IN THE LINE OF DUTY. ALL NAMES PRECEDED WITH "U.S.S."

FRIGATE CLASS (FA)

LOKNAR CLASS STARSHIPS



STD. SHIP'S COMPLEMENT:

OFFICERS (COMMAND) 4
 CREW (ENSIGN GRADE) 76

SEE BOOKLET OF GENERAL PLANS FOR DETAILS

PARTICULARS:

DEADWEIGHT TONNAGE	109,000MT
STD. RANGE	22 YEARS AT L.Y.V
MAX. SAFE CRUISING SPEED	W/F 7
EMERGENCY SPEED	W/F 9
MAIN PHASERS	2 BANKS / 2 EACH
PHOTON TORPEDOES	1 BANKS
LENGTH OVERALL	290M
BREADTH OVERALL	127.1M
HEIGHT OVERALL	56MI
PRIMARY HULL DIA.	127.1M
PROP. UNIT L.O.A.	131.0M
PROP. UNIT BREADTH.	12.2M

TO 0104-1B

FRIGATE CLASS

AUTHORIZED CONSTRUCTION

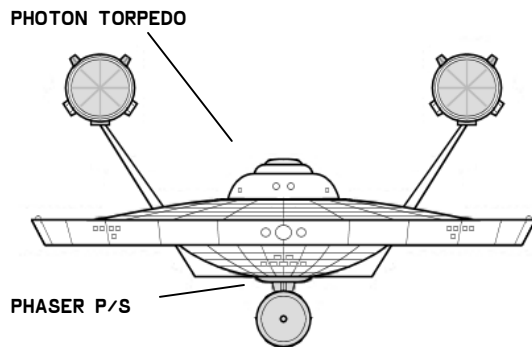
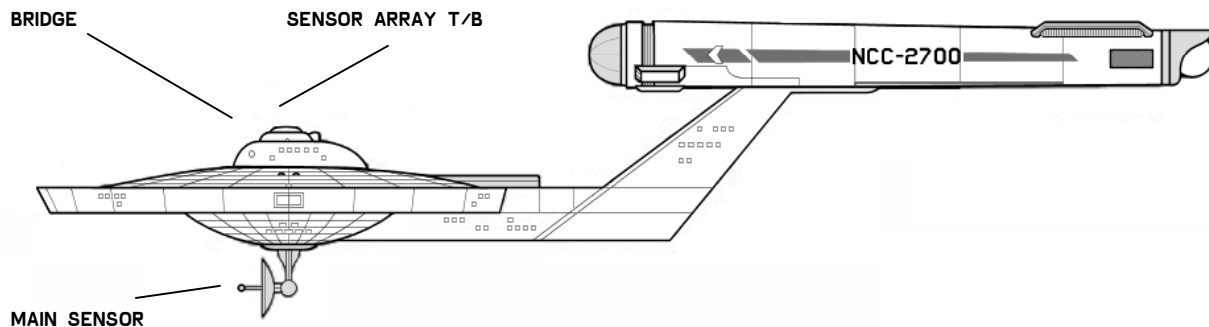
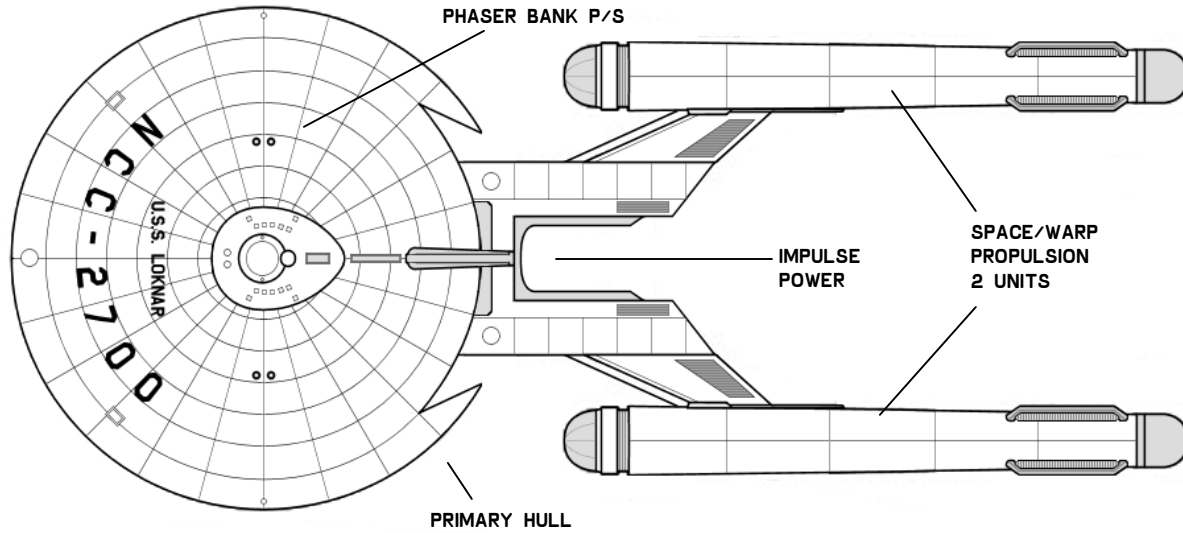
THE FOLLOWING SHIPS OF THE LOKNAR CLASS DESTROYER (FF) WERE AUTHORIZED BY THE STAR FLEET APPROPRIATION OF STARDATE 1/9010:

LOKNAR	NCC-2700*	NEW YORK	NCC-2716**	OPKAPI	NCC-2732
AHKEIL	NCC-2701	BORODI	NCC-2717**	AURELIA	NCC-2733**
VERNOL	NCC-2702**	MOSCOW	NCC-2718	CARINAE II	NCC-2734**
TRANTIS	NCC-2703	TOKYO	NCC-2719**	ANTOS IV	NCC-2735
MORGAN CITY	NCC-2704**	CORINTH IV	NCC-2720**	ARCANNIS	NCC-2736**
FARISIDE	NCC-2705	DARAN V	NCC-2721	MORDENSIA	NCC-2737
NEW AMERICA	NCC-2706	OARIS	NCC-2722	CHICAGO	NCC-2738
NEW ARGENTINA	NCC-2707	EKAS	NCC-2723**	DENEK CLAR	NCC-2739**
KOSK	NCC-2708	TROYIUS	NCC-2724	GAIKOS	NCC-2740
BORGA	NCC-2709**	BONN	NCC-2725	SYDNEY	NCC-2741**
PEKING	NCC-2710	ROME	NCC-2726**	HALK	NCC-2742**
EPCOT	NCC-2711	LOS ANGELES	NCC-2727**	ILYRA	NCC-2743
ALDEBARAN	NCC-2712**	EKOS	NCC-2728	MJORN	NCC-2744
PROXIMA	NCC-2713	YONADA	NCC-2729**	ALONDRA	NCC-2745**
ANTARES	NCC-2714	MAKUSIA	NCC-2730**	CARINAE V	NCC-2746
ARGUS CITY	NCC-2715**	BERLIN	NCC-2731**	ARGELIA	NCC-2747**

*CLASS SHIP. **LOST IN THE LINE OF DUTY. ALL NAMES PRECEDED WITH "U.S.S."

FRIGATE CLASS (FA-A)

LOKNAR CLASS STARSHIPS [MK-2]



STD. SHIP'S COMPLEMENT:

OFFICERS (COMMAND) 4
 CREW (ENSIGN GRADE) 79

SEE BOOKLET OF GENERAL PLANS FOR DETAILS

PARTICULARS:

DEADWEIGHT TONNAGE	115,800MT
STD. RANGE	22 YEARS AT L.Y.V
MAX. SAFE CRUISING SPEED	W/F 7
EMERGENCY SPEED	W/F 9
MAIN PHASERS	4 BANKS / 2 EACH
PHOTON TORPEDOES	2 BANKS / 2 EACH
LENGTH OVERALL	290M
BREADTH OVERALL	127.1M
HEIGHT OVERALL	56MI
PRIMARY HULL DIA.	127.1M
PROP. UNIT L.O.A.	131.0M
PROP. UNIT BREADTH.	12.2M

STARFLEET TECHNICAL ORDER

AUTHENTICATED STARDATE 2/2811.15

TO 0104-20

FRIGATE CLASS

AUTHORIZED CONSTRUCTION

THE FOLLOWING SHIPS OF THE LOKNAR CLASS DESTROYER (FA-A) WERE AUTHORIZED BY THE STAR FLEET APPROPRIATION OF STARDATE 1/9801:

LACTRA	NCC-2748	DALLAS	NCC-2759	CYGNI MINOR	NCC-2769
LONDON	NCC-2749	IRILIA	NCC-2760	DROX	NCC-2770
DENEVA RA	NCC-2750	KARRIK AL VAN	NCC-2761	TORONTO	NCC-2771
IZAR	NCC-2751	THEFEL	NCC-2762	TRIFIS	NCC-2772
TITAN	NCC-2752	PTARTH	NCC-2763	BONDORANT	NCC-2773
RHEA	NCC-2753	ALPHA COLONY	NCC-2764**	GARROS	NCC-2774
HELIOS	NCC-2754	ALTAIR IV	NCC-2765	JANUS COLONY	NCC-2775**
CAPOR BANA	NCC-2755**	ARIANNUS	NCC-2766	IOTIA	NCC-2776
HOUSTON	NCC-2756	CAIRO	NCC-2767	TRYLA	NCC-2777
RIO DE JANIERO	NCC-2757**	CORIDAN	NCC-2768	VLADIVOSTOK	NCC-2778
LAVINIUS	NCC-2758**				

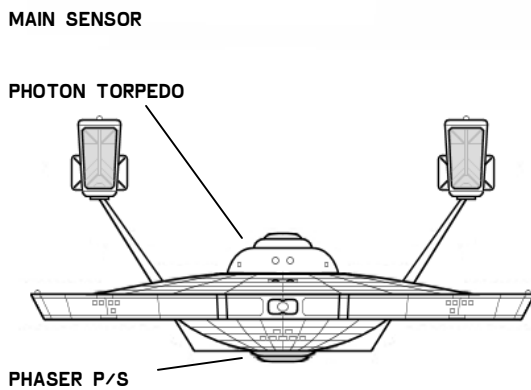
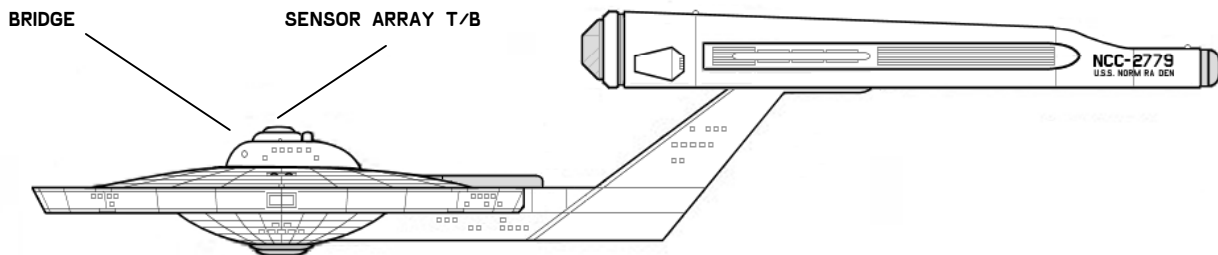
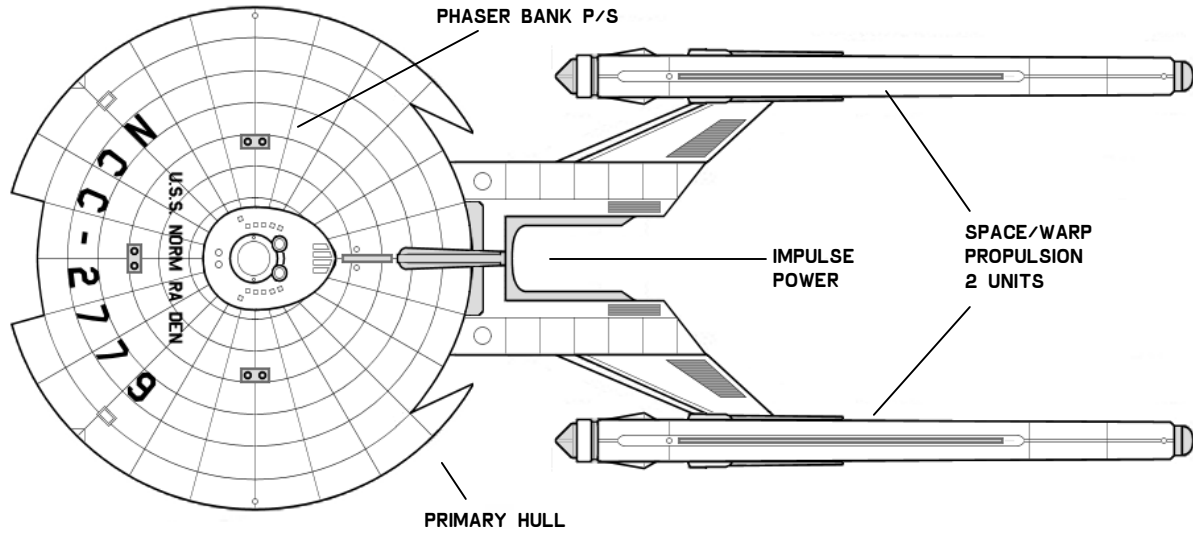
THE FOLLOWING REPLACEMENTS FOR THE LOKNAR (MK-1) CLASS WERE AUTHORIZED BY STAR FLEET APPROPRIATION OF STARDATE 1/9801:

MORGAN CITY II	NCC-26038	NEW YORK II	NCC-26042	CAPOR BANA II	NCC-26046
BORGA II	NCC-26039	BORODI II	NCC-26043	RIO DE JANIERO II	NCC-26047
ALDEBARAN II	NCC-26040	ROME II	NCC-26044	LAVINIUS II	NCC-26048
ARGUS CITY II	NCC-26041	BERLIN II	NCC-26045		

*CLASS SHIP. **LOST IN THE LINE OF DUTY. ALL NAMES PRECEDED WITH "U.S.S."

FRIGATE CLASS (FA-B)

NORM RA DEN CLASS STARSHIPS (MK-3)



STD. SHIP'S COMPLEMENT:

OFFICERS (COMMAND) 4
 CREW (ENSIGN GRADE) 79

SEE BOOKLET OF GENERAL PLANS FOR DETAILS

PARTICULARS:

DEADWEIGHT TONNAGE	115,800MT
STD. RANGE	22 YEARS AT L.Y.V
MAX. SAFE CRUISING SPEED	W/F 7
EMERGENCY SPEED	W/F 9
MAIN PHASERS	4 BANKS / 2 EACH
PHOTON TORPEDOES	2 BANKS, 1 H. BANK
LENGTH OVERALL	290M
BREADTH OVERALL	127.1M
HEIGHT OVERALL	56MI
PRIMARY HULL DIA.	127.1M
PROP. UNIT L.O.A.	131.0M
PROP. UNIT BREADTH.	12.2M

STARFLEET TECHNICAL ORDER

AUTHENTICATED STARDATE 2/2811.15

TO 0104-22

FRIGATE CLASS

AUTHORIZED CONSTRUCTION

THE FOLLOWING SHIPS OF THE NORM RA DEN CLASS DESTROYER (FA-B) WERE AUTHORIZED BY THE STAR FLEET APPROPRIATION OF STARDATE 2/0801:

NORM RA DEN	NCC-2779*	PHOBOS	NCC-2786	JEZAR	NCC-2793
NEW DELPHI	NCC-2780	LUNA	NCC-2787	HOBBITON	NCC-2794
SALOS	NCC-2781	JOHANNESBURG	NCC-2788	HONG KONG	NCC-2795
THUPHYLLA	NCC-2782	STOCKHOLM	NCC-2789	CAITOS PREA	NCC-2796
MOLENS	NCC-2783	FALL DEN	NCC-2790	MULANDRA	NCC-2797
MANTILLES	NCC-2784	QUE DANE	NCC-2791	KISM	NCC-2798
SOGON	NCC-2785	KYOTO	NCC-2792	TOG	NCC-2799

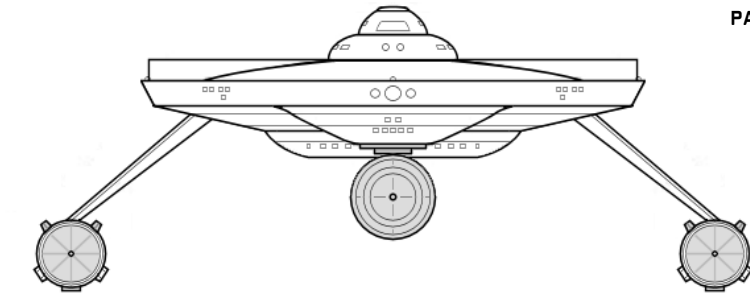
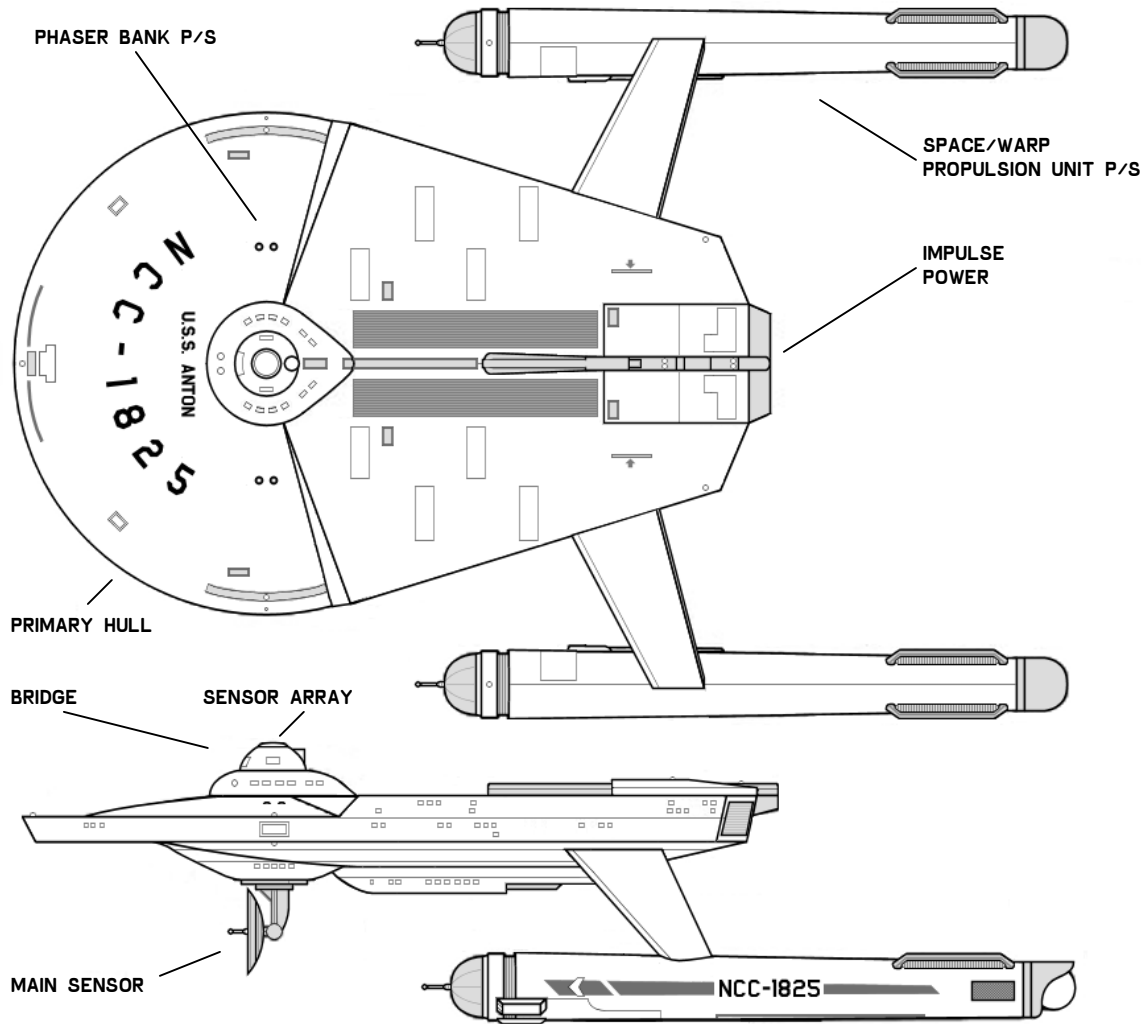
THE FOLLOWING REPLACEMENTS FOR THE LOKNAR (MK-1) CLASS WERE AUTHORIZED BY STAR FLEET APPROPRIATION OF STARDATE 2/0801:

TOKYO II	NCC-26051	DENEK CLAR II	NCC-26053	ALPHA COLONY II	NCC-26055
EKAS II	NCC-26052	HALK II	NCC-26054	JANUS COLONY II	NCC-26056

*CLASS SHIP. **LOST IN THE LINE OF DUTY. ALL NAMES PRECEDED WITH "U.S.S."

CRUISER CLASS [CE-A]

ANTON CLASS STARSHIPS



STD. SHIP'S COMPLEMENT:

OFFICERS (COMMAND) 20
 CREW (ENSIGN GRADE) 270

SEE BOOKLET OF GENERAL PLANS FOR DETAILS

PARTICULARS:

DEADWEIGHT TONNAGE	147,800MT
STD. RANGE	9 YEARS AT L.Y.V
MAX. SAFE CRUISING SPEED	W/F 7
EMERGENCY SPEED	W/F 9
MAIN PHASERS	2 BANKS / 2 EACH
PHOTON TORPEDOES	0
LENGTH OVERALL	224M
BREADTH OVERALL	145M
HEIGHT OVERALL	51M
PRIMARY HULL DIA.	127.1M
PROP. UNIT L.O.A.	153.6M
PROP. UNIT BREADTH.	17.3M

TO 0104-24

CRUISER CLASS

AUTHORIZED CONSTRUCTION

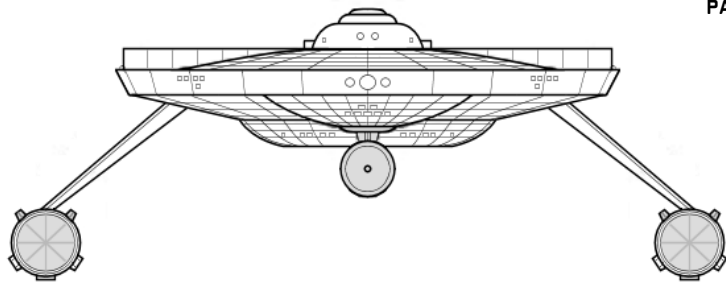
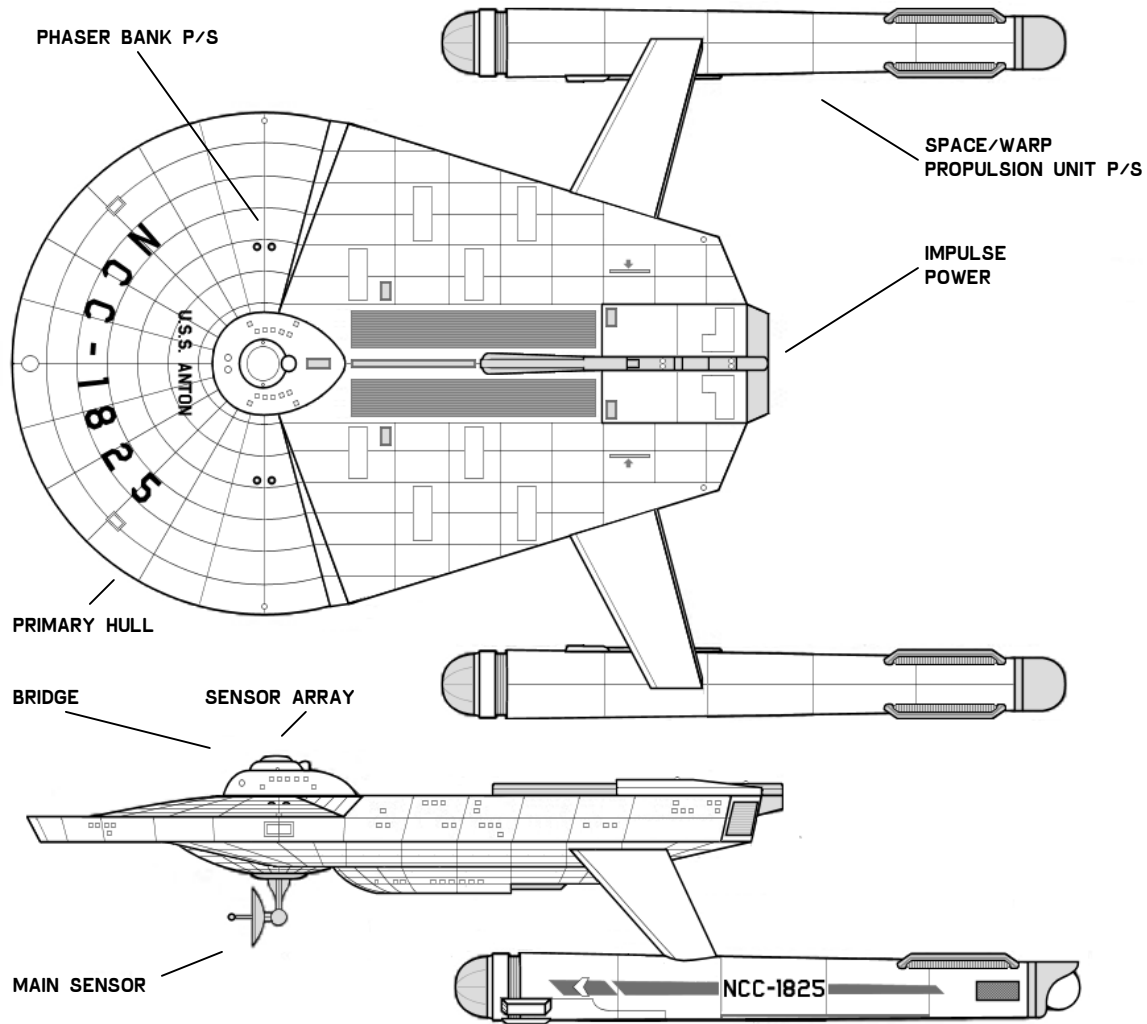
THE FOLLOWING SHIPS OF THE ANTON CLASS CRUISER [CA] WERE AUTHORIZED BY THE STAR FLEET APPROPRIATION OF STARDATE 1/8704:

ANTON	NCC-1825*	ALLIANCE	NCC-1849	DEVASTATOR	NCC-1873
ACHILLES	NCC-1826**	SURYA	NCC-1850	COURAGE	NCC-1874
BOMBAY	NCC-1827	ILLUSIVE	NCC-1851	CHAMPION	NCC-1875**
TYGART	NCC-1828	TEMPEST	NCC-1852	FURIOUS	NCC-1876
JUSTINIAN	NCC-1829	DURMITOV	NCC-1853	RESOLUTION	NCC-1877
DANNER	NCC-1830	KANARIS	NCC-1854**	POLONIUS	NCC-1878
KLINGER	NCC-1831	PRALAY	NCC-1855**	GLORIOUS	NCC-1879
FUNSTON	NCC-1832	HASHIRAN	NCC-1856	OBERON	NCC-1880
MIRANDA	NCC-1833	ANDALUCIAN	NCC-1857	FORMIDABLE	NCC-1881**
CORTEZ	NCC-1834**	BRILLIANT	NCC-1858	SHIVA	NCC-1882
GADLAGEN	NCC-1835	THETISN	NCC-1859**	REGENT	NCC-1883
PETRAN	NCC-1836	AVENGER	NCC-1860	SPIRON	NCC-1884**
LANTREE	NCC-1837	COURAGEOUS	NCC-1861	NOSHIRON	NCC-1885**
ZABRISKIEN	NCC-1838	ENDURANCE	NCC-1862	REDOUBT	NCC-1886
XIQUES	NCC-1839	REPULSE	NCC-1863	NIOVIN	NCC-1887
WYNDELL	NCC-1840	RELIANT	NCC-1864**	BIR HAKEIM	NCC-1888
HANNOVER	NCC-1841	VIGILANT	NCC-1865	IMMORTAL	NCC-1889
ALEXANDRIA	NCC-1842	CONDOR	NCC-1866	STRIKER	NCC-1890
KINGER	NCC-1843**	SARATOGA	NCC-1867**	ENFORCER	NCC-1891
MUDGETT	NCC-1844	DROMIO	NCC-1868	WARRIOR	NCC-1892
ANTIPHOLUS	NCC-1845	GALLANT	NCC-1869	REFORGER	NCC-1893**
REGULAS	NCC-1846**	RENOWN	NCC-1870**		
SHAULA	NCC-1847	INVINCIBLE	NCC-1871		
WEZEN	NCC-1848	DARING	NCC-1872		

*CLASS SHIP. **LOST IN THE LINE OF DUTY. ALL NAMES PRECEDED WITH "U.S.S."

CRUISER CLASS [CE]

ANTON CLASS STARSHIPS [MK-2]



PARTICULARS:

DEADWEIGHT TONNAGE	150,000MT
STD. RANGE	9 YEARS AT L.Y.V
MAX. SAFE CRUISING SPEED	W/F 7
EMERGENCY SPEED	W/F 9
MAIN PHASERS	2 BANKS / 2 EACH
PHOTON TORPEDOES	0
LENGTH OVERALL	224M
BREADTH OVERALL	145M
HEIGHT OVERALL	51M
PRIMARY HULL DIA.	127.1M
PROP. UNIT L.O.A.	153.6M
PROP. UNIT BREADTH.	17.3M

STD. SHIP'S COMPLEMENT:

OFFICERS (COMMAND)	20
CREW (ENSIGN GRADE)	275

SEE BOOKLET OF GENERAL PLANS FOR DETAILS

TO 0104-26

CRUISER CLASS

AUTHORIZED CONSTRUCTION

THE FOLLOWING SHIPS OF THE ANTON CLASS CRUISER [CE-A] WERE AUTHORIZED BY THE STAR FLEET APPROPRIATION OF STARDATE 1/9702:

ALAMO	NCC-1894	MONDIAL	NCC-26008	PROSPERO	NCC-26022
CARTHAGE	NCC-1895	PORTIA	NCC-26009**	TYR	NCC-26023
CHAGARIS	NCC-1896	SENTINEL	NCC-26010	PRAHANG	NCC-26024
FULLER	NCC-1897	SITAK	NCC-26011	WINTER	NCC-26025
BRISBANE	NCC-1898**	ALBERTA	NCC-26012	YORKSHIRE	NCC-26026**
HARTT	NCC-1899**	GOTSWALD	NCC-26013**	YAVAPAI	NCC-26027
DELBORA	NCC-26000	PHOEBUS	NCC-26014	SUTTER	NCC-26028
ANDOVER	NCC-26001	TIAN NAN MAN	NCC-26015	WANDERER	NCC-26029
CALLAHAN	NCC-26002	NAUTILUS	NCC-26016	AMSTERDAM	NCC-26030
CONCORD	NCC-26003	OMAHA	NCC-26017	MAKER	NCC-26031
HAROLD	NCC-26004**	DALRIADA	NCC-26018**	CIMMERON	NCC-26032
DEVEREAUX	NCC-26005	TROUNG	NCC-26019	CASPER	NCC-26033
GLADSTONE	NCC-26006	ISCANDER	NCC-26020		
HOAGLAND	NCC-26007	KATHELA	NCC-26021		

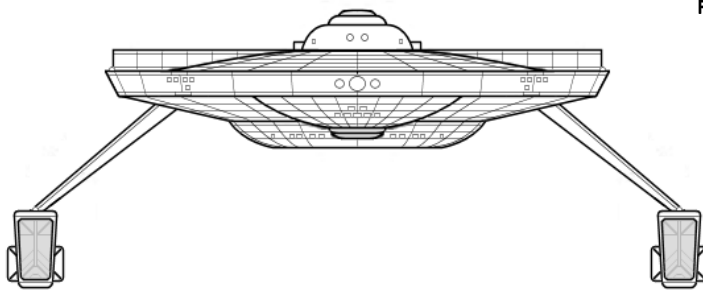
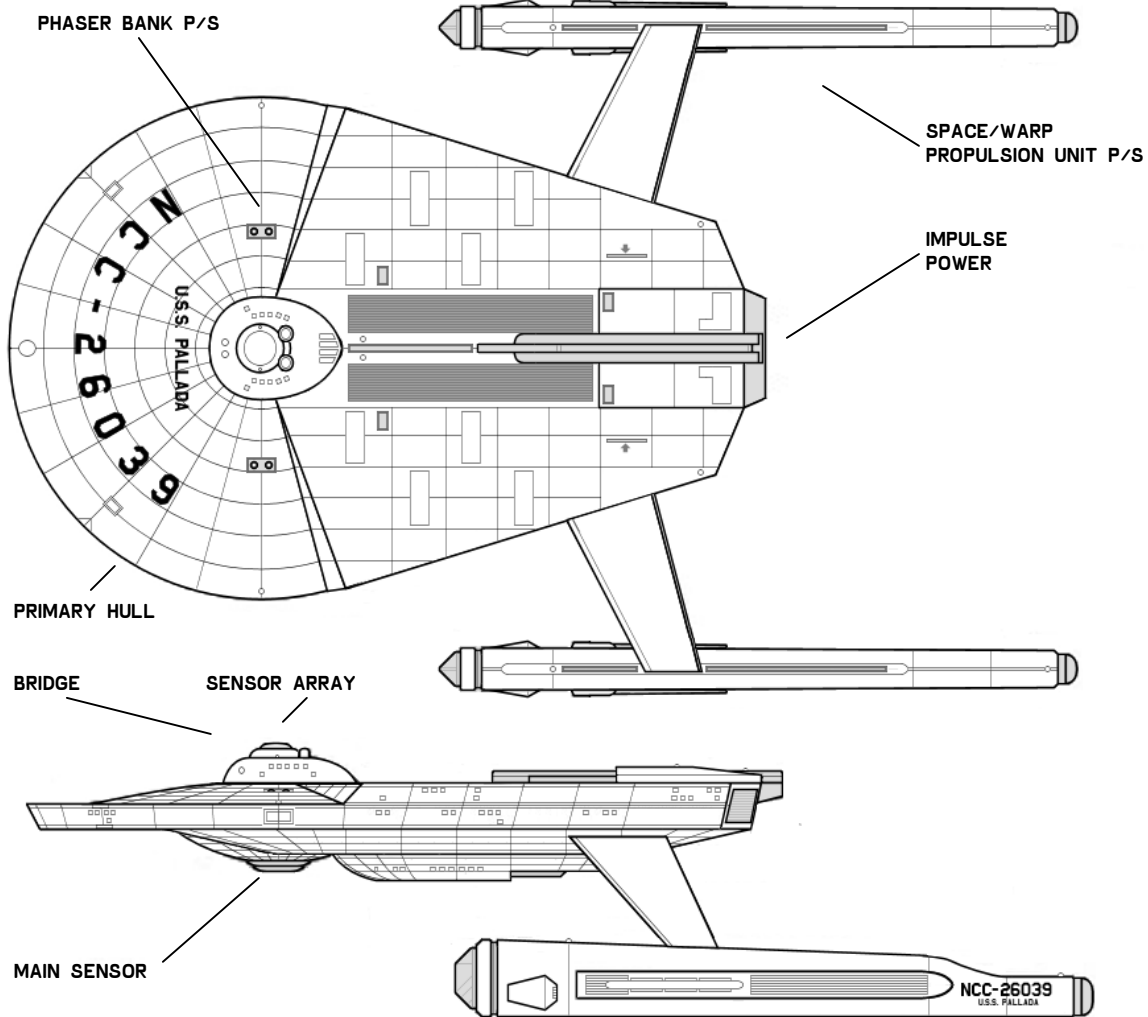
THE FOLLOWING REPLACEMENTS FOR THE ANTON [MK-1] CLASS WERE AUTHORIZED BY STAR FLEET APPROPRIATION OF STARDATE 1/9702:

ACHILLES II	NCC-26034	KANARIS II	NCC-26034	FORMIDABLE II	NCC-26035
CORTEZ II	NCC-26035	PRALAY II	NCC-26034	SPIRON II	NCC-26036
KINGER II	NCC-26036	THETSIN II	NCC-26034	NOSHIRON II	NCC-26037
REGULAS II	NCC-26037	CHAMPION II	NCC-26034	REFORGER II	NCC-26049

*CLASS SHIP. **LOST IN THE LINE OF DUTY. ALL NAMES PRECEDED WITH "U.S.S."

CRUISER CLASS (CE-B)

PALLADA CLASS STARSHIPS (MK-2)



PARTICULARS:

DEADWEIGHT TONNAGE	149,200MT
STD. RANGE	9 YEARS AT L.Y.V
MAX. SAFE CRUISING SPEED	W/F 6
EMERGENCY SPEED	W/F 8
MAIN PHASERS	2 BANKS / 2 EACH
PHOTON TORPEDOES	0
LENGTH OVERALL	226M
BREADTH OVERALL	145M
HEIGHT OVERALL	51M
PRIMARY HULL DIA.	127.1M
PROP. UNIT L.O.A.	153.6M
PROP. UNIT BREADTH.	17.3M

STD. SHIP'S COMPLEMENT:

OFFICERS (COMMAND)	24
CREW (ENSIGN GRADE)	282

SEE BOOKLET OF GENERAL PLANS FOR DETAILS

TO 0104-28

CRUISER CLASS

AUTHORIZED CONSTRUCTION

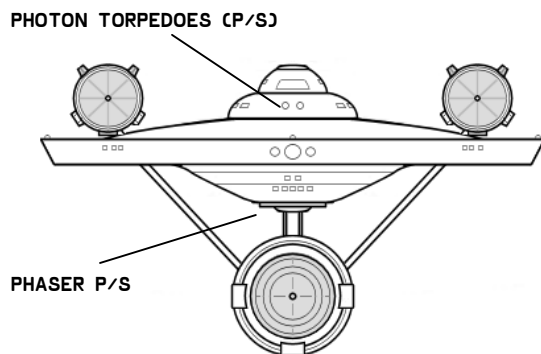
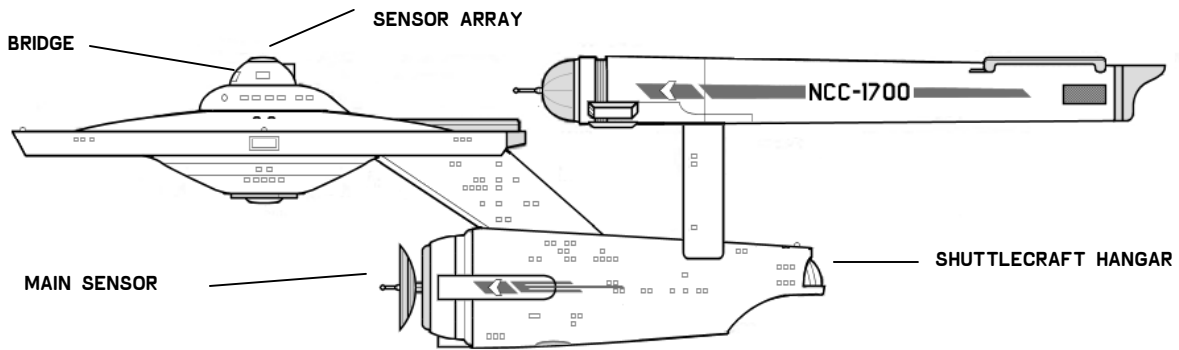
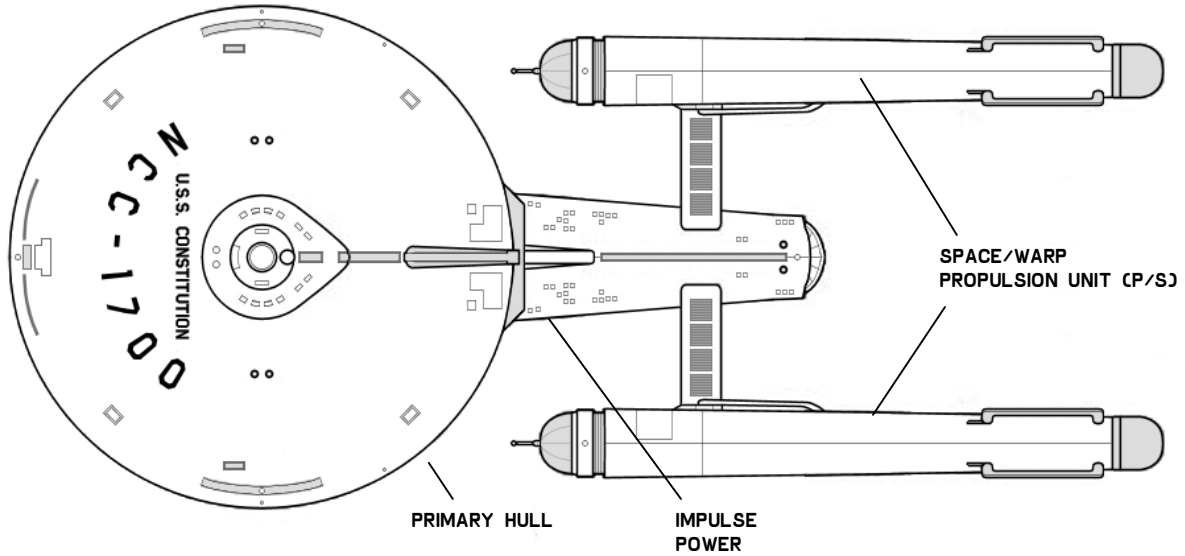
THE FOLLOWING SHIPS OF THE PALLADA CLASS CRUISER [CE-B] WERE AUTHORIZED BY THE STAR FLEET APPROPRIATION OF STARDATE 2/0012:

PALLADA	NCC-26050*	MININ	NCC-26060	GANGUT	NCC-26064
PETROPAVLOVSK	NCC-26057	TCHESMA	NCC-26061	POLTAVA	NCC-26065
PERVENETZ	NCC-26058	SINOP	NCC-26062	ROSTISLAV	NCC-26066
KREML	NCC-26059	POBIEDONOSETS	NCC-26063	OSLYABYA	NCC-26067

*CLASS SHIP. **LOST IN THE LINE OF DUTY. ALL NAMES PRECEDED WITH "U.S.S."

HEAVY CRUISER CLASS [CA]

CONSTITUTION CLASS STARSHIPS



STD. SHIP'S COMPLEMENT:

OFFICERS (COMMAND)	24
CREW (ENSIGN GRADE)	386

SEE BOOKLET OF GENERAL PLANS FOR DETAILS

PARTICULARS:

DEADWEIGHT TONNAGE	162,425MT
STD. RANGE	9 YEARS AT L.Y.V
MAX. SAFE CRUISING SPEED	W/F 6
EMERGENCY SPEED	W/F 8
MAIN PHASERS	3 BANKS / 2 EACH
PHOTON TORPEDOES	2 BANKS
LENGTH OVERALL	290M
BREADTH OVERALL	127.1M
HEIGHT OVERALL	73M
PRIMARY HULL DIA.	127.1M
PROP. UNIT L.O.A.	153.6M
PROP. UNIT BREADTH.	17.3M

TO 0104-30

HEAVY CRUISER CLASS

AUTHORIZED CONSTRUCTION

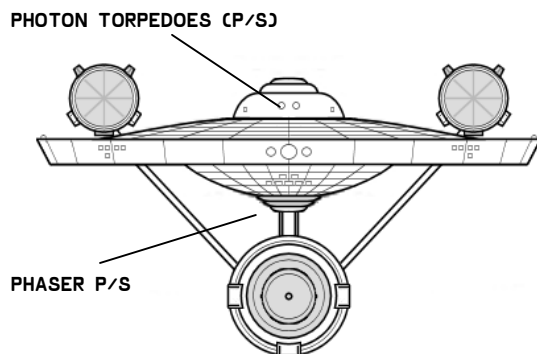
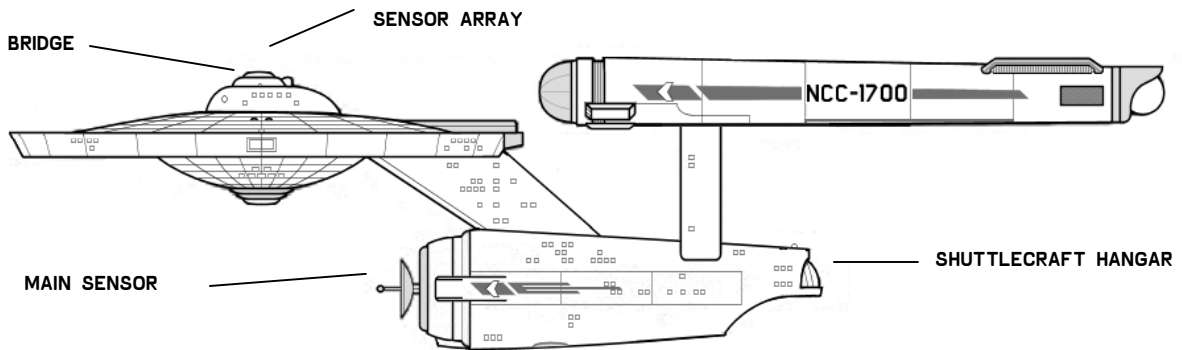
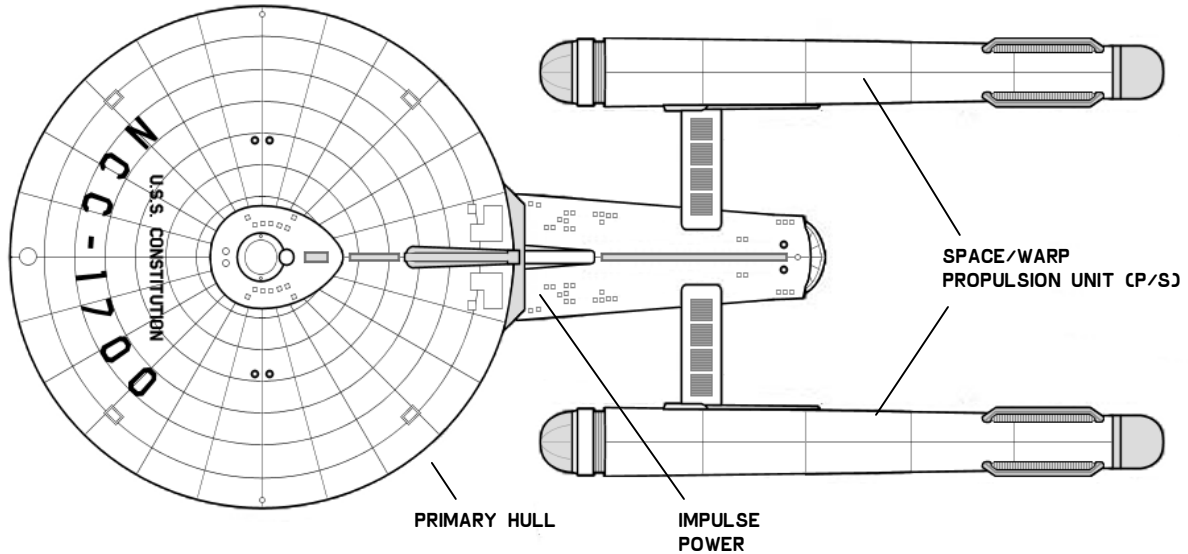
THE FOLLOWING SHIPS OF THE CONSTITUTION CLASS [CA] WERE AUTHORIZED BY THE STAR FLEET APPROPRIATION OF STARDATE 1/8801:

CONSTELLATION	NCC-1017**	EXETER	NCC-1672	HOOD	NCC-1703
REPUBLIC	NCC-1373**	CONSTITUTION	NCC-1700*	BISMARCK	NCC-1704
INTREPID	NCC-1631**	ENTERPRISE	NCC-1701	YAMATO	NCC-1705
FARRAGUT	NCC-1647**	POTEMKIN	NCC-1702**	LEXINGTON	NCC-1709
EXCALIBUR	NCC-1664**				

*CLASS SHIP. **LOST IN THE LINE OF DUTY. ALL NAMES PRECEDED WITH "U.S.S."

HEAVY CRUISER CLASS (CA-A)

CONSTITUTION CLASS STARSHIPS



STD. SHIP'S COMPLEMENT:

OFFICERS (COMMAND)	32
CREW (ENSIGN GRADE)	398

SEE BOOKLET OF GENERAL PLANS FOR DETAILS

PARTICULARS:

DEADWEIGHT TONNAGE	164,600MT
STD. RANGE	9 YEARS AT L.Y.V
MAX. SAFE CRUISING SPEED	W/F 6
EMERGENCY SPEED	W/F 8
MAIN PHASERS	3 BANKS / 2 EACH
PHOTON TORPEDOES	2 BANKS
LENGTH OVERALL	290M
BREADTH OVERALL	127.1M
HEIGHT OVERALL	73M
PRIMARY HULL DIA.	127.1M
PROP. UNIT L.O.A.	153.6M
PROP. UNIT BREADTH.	17.3M

TO 0104-32

HEAVY CRUISER CLASS

AUTHORIZED CONSTRUCTION

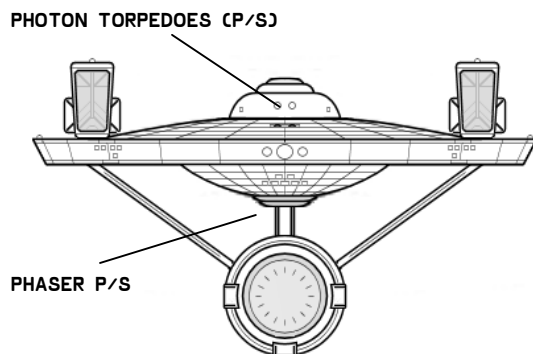
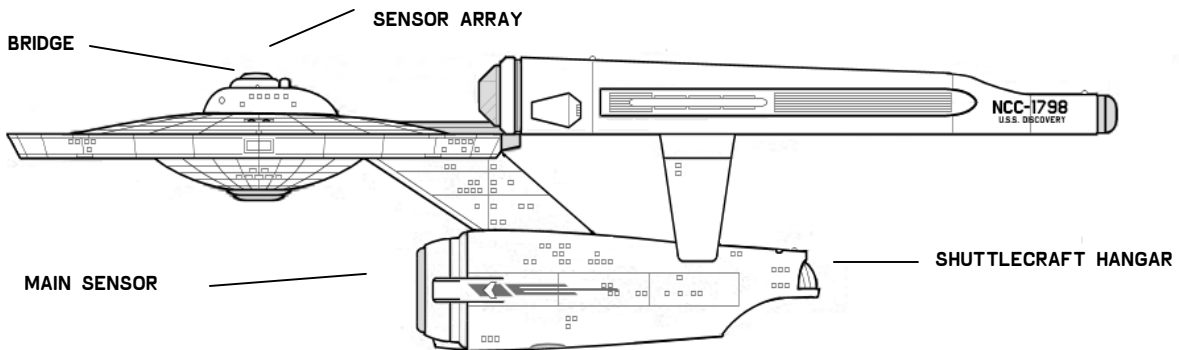
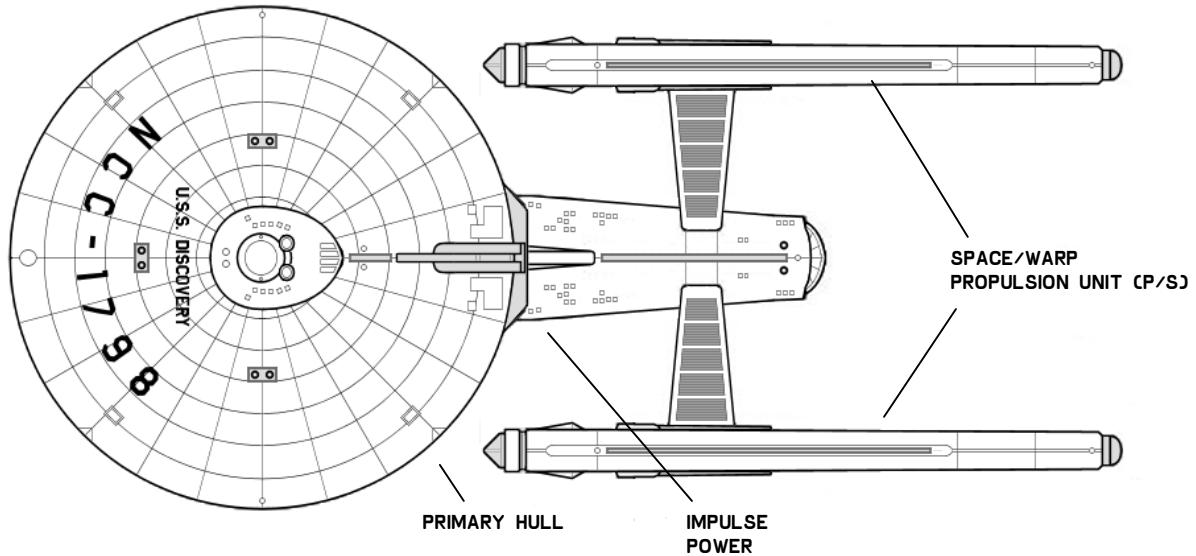
THE FOLLOWING SHIPS OF THE CONSTITUTION CLASS CRUISER [CA-A] WERE AUTHORIZED BY THE STAR FLEET APPROPRIATION OF STARDATE 2/0206:

KONGO	NCC-1710**	EAGLE	NCC-1738	DEFIANT	NCC-1764**
CHALLENGER	NCC-1715	SANTISSIMA TRINIDAD	NCC-1742	RIVOLI	NCC-1765**
YORKTOWN	NCC-1717	MARSEILLE	NCC-1744	BON HOME RICHARD	NCC-1776
VALIANT	NCC-1718	LANGLEY	NCC-1749	ENDEAVOR	NCC-1777
ESSEX	NCC-1719	RICHELIU	NCC-1750	HORNET	NCC-1778
SARATOGA	NCC-1720	FORRESTAL	NCC-1751	AKAGI	NCC-1779**
EL DORADO	NCC-1724	KITTY HAWK	NCC-1754**	KAGA	NCC-1780
KENT	NCC-1725	CHIKUMA	NCC-1759	ARK ROYAL	NCC-1791
LITTORIO	NCC-1727	VICTORY	NCC-1760**	RADETSKY	NCC-1792**
TICONDEROGA	NCC-1736				

*CLASS SHIP. **LOST IN THE LINE OF DUTY. ALL NAMES PRECEDED WITH "U.S.S."

HEAVY CRUISER CLASS [CA-B]

DISCOVERY CLASS STARSHIPS



STD. SHIP'S COMPLEMENT:

OFFICERS (COMMAND)	24
CREW (ENSIGN GRADE)	386

SEE BOOKLET OF GENERAL PLANS FOR DETAILS

PARTICULARS:

DEADWEIGHT TONNAGE	167,900MT
STD. RANGE	9 YEARS AT L.Y.V
MAX. SAFE CRUISING SPEED	W/F 6
EMERGENCY SPEED	W/F 8
MAIN PHASERS	3 BANKS / 2 EACH
PHOTON TORPEDOES	2 BANKS
LENGTH OVERALL	290M
BREADTH OVERALL	127.1M
HEIGHT OVERALL	73M
PRIMARY HULL DIA.	127.1M
PROP. UNIT L.O.A.	153.6M
PROP. UNIT BREADTH.	17.3M

TO 0104-34

HEAVY CRUISER CLASS

AUTHORIZED CONSTRUCTION

THE FOLLOWING SHIPS OF THE DISCOVERY CLASS CRUISER (CA-B) WERE AUTHORIZED BY THE STAR FLEET APPROPRIATION OF STARDATE 2/1202:

KEARSARGE	NCC-1721	SORYU	NCC-1730	VALLEY FORGE	NCC-1732
GRAF ZEPPLIN	NCC-1726	HIRYU	NCC-1731	DISCOVERY	NCC-1798*

*CLASS SHIP. **LOST IN THE LINE OF DUTY. ALL NAMES PRECEDED WITH "U.S.S."

STARFLEET TECHNICAL ORDER

AUTHENTICATED STARDATE 2/2811.15

